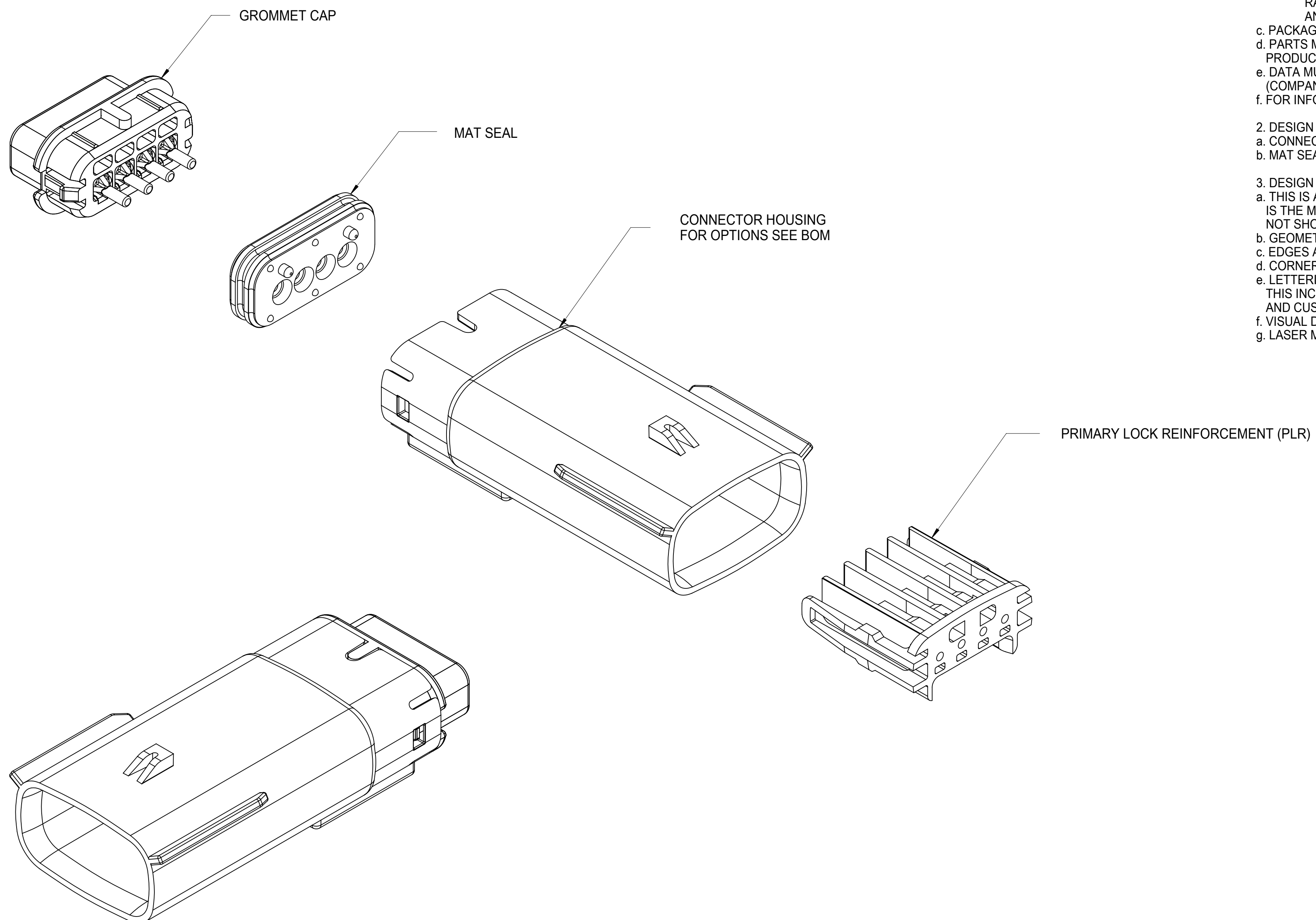


# TABLE OF CONTENTS

SHEET NO.	SHEET DESCRIPTION
1	NOTES
2	KEY CONFIGURATIONS
3	BLADE SEALED ASSEMBLY
4	SYSTEM PACKAGING
5	BOM

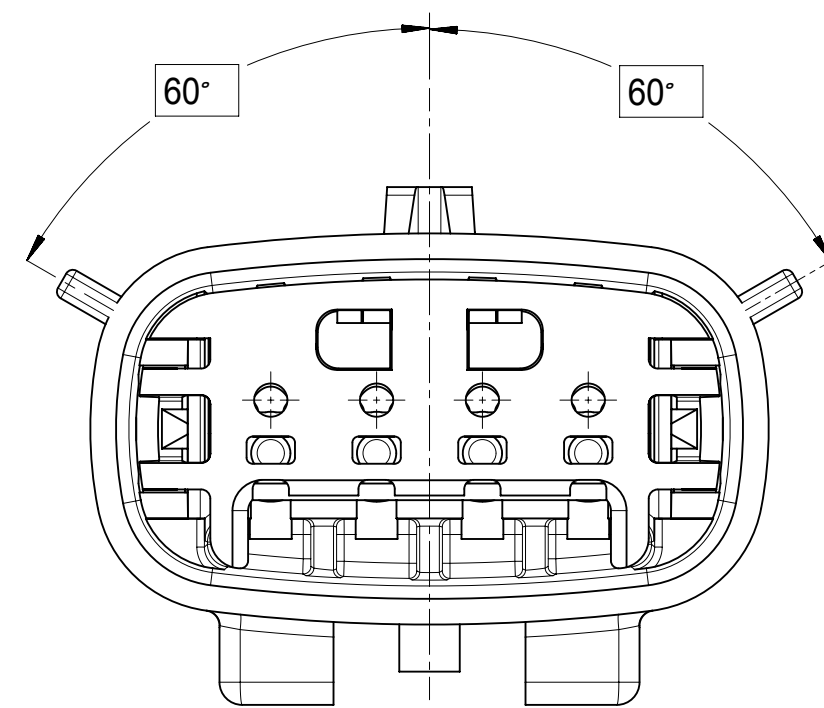


NOTES: VALID UNLESS OTHERWISE SPECIFIED

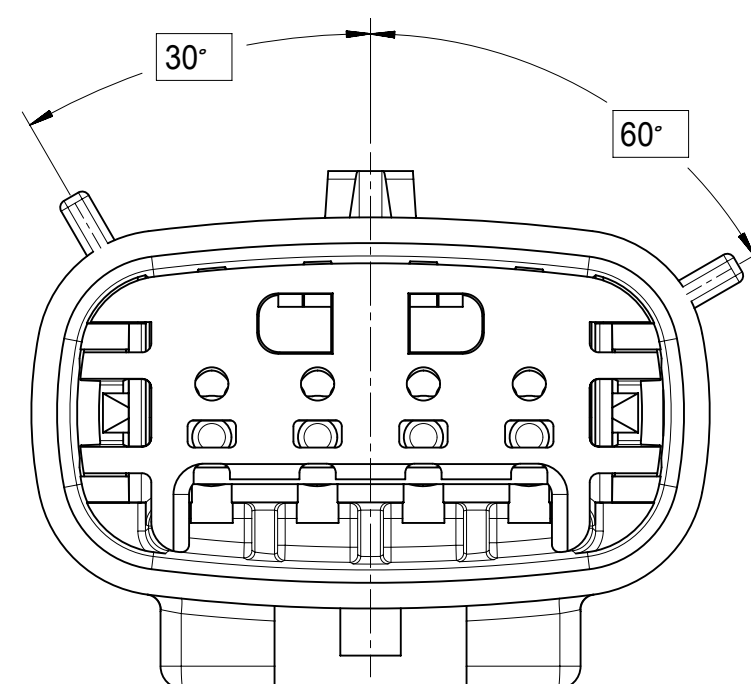
1. GENERAL:
  - a. APPLICATION SPECIFICATION SEE: AS-33472-100  
CONTAINS: PRODUCT INTRODUCTION, PRODUCT SUMMARY, CONNECTOR ASSEMBLY, PACKAGING INFORMATION, CONNECTOR MATING, SERVICE INSTRUCTIONS, ELECTRICAL CONTINUITY CHECKING, CRIMPING, AND TROUBLESHOOTING.  
-DESIGNED TO MATE WITH RECEPTACLE SEALED ASSEMBLY SPECIFIED IN MOLEX DRAWING SD-33471-041.  
-FOR 1.5mm BLADE TERMINALS TO BE USED WITH THIS ASSEMBLY SEE MOLEX DRAWING SD-33000-001.  
-SYSTEM TO BE USED WITH WIRE WITHIN DIAMETER RANGE OF 1.2mm TO 2.69mm.  
-ASSEMBLY SHIPPED WITH PLR IN PRE-LOCK POSITION  
-IN THE EVENT THAT THE PLR IS FOUND IN THE SEATED (FINAL LOCK) POSITION, REFER TO MOLEX SPECIFICATION PS-34646-001, AVAILABLE AT [www.molex.com](http://www.molex.com) <<http://www.molex.com>>  
-ASSEMBLY CONFORMS TO SAE/USCAR-2 REV.4 WITH THE FOLLOWING EXCEPTIONS: TERMINAL INSERTION FORCE FOR WIRE DIAMETER ABOVE 2.5mm NOT EXCEEDING 2.69mm SHALL NOT EXCEED 45 NEWTONS.
  - b. PRODUCT SPECIFICATION SEE: PS-33471-000  
CONTAINS: PRODUCT INTRODUCTION, PRODUCT SUMMARY, RATINGS (CURRENT, TEMPERATURE, SEALING, AND FLAMMABILITY), AND PRODUCT VALIDATION.
  - c. PACKAGING SPECIFICATION PER MOLEX DRAWING: PK-31300-635
  - d. PARTS MUST BE IN COMPLIANCE TO MOLEX CHEMICAL SUBSTANCES FOR PRODUCTS AND PACKAGING SPECIFICATION: ES-40000-5016
  - e. DATA MUST BE SUBMITTED UNDER THE MOLEX PART NUMBER TO IMDS (COMPANY ID#13255)
  - f. FOR INFORMATION ON 1X4 BLADE SEALED ASSEMBLY WITH SHORTING BAR SEE SD-31280-200.
2. DESIGN - MATERIALS:
  - a. CONNECTOR HOUSING, GROMMET CAP, PLR: SPS/NYLON BLEND 20% GLASS FILLED
  - b. MAT SEAL: INHERENTLY LUBRICATED SILICONE
3. DESIGN - GEOMETRY:
  - a. THIS IS A 100% CAD GENERATED PART. THE CAD MATHEMATICAL DATA IS THE MASTER FOR THIS PART. FOR DIMENSIONAL OR ANY INFORMATION NOT SHOWN ON THIS DRAWING, ANALYZE THE CAD MODEL.
  - b. GEOMETRIC DIMENSIONS AND TOLERANCES PER ASME Y14.5M - 1994
  - c. EDGES AND UNDIMENSIONED DETAILS PER ISO13715
  - d. CORNERS SHOWN AS SHARP TO BE R 0.2 MAX.
  - e. LETTERING SHALL BE 0.15 MAX RAISED IN 0.25 MAX RECESS PAD. THIS INCLUDES RECYCLING CODE, CAVITY ID, VENDOR IDENTIFICATION, AND CUSTOMER MATERIAL NUMBER.
  - f. VISUAL DEFECTS SHALL MEET COSMETIC STANDARD PS-45499-002 (Class B)
  - g. LASER MARKING: TBD

THIS DRAWING CONTAINS INFORMATION THAT IS PROPRIETARY TO MOLEX ELECTRONIC TECHNOLOGIES, LLC AND SHOULD NOT BE USED WITHOUT WRITTEN PERMISSION									
DIMENSION UNITS		SCALE		CURRENT REV DESC: UPDATED PARTS STATUS				<b>molex</b>	
mm		3:1							
GENERAL TOLERANCES (UNLESS SPECIFIED)				EC NO: 645317		2020/08/07		MX150 1X4 BLADE SEALED ASSEMBLY MAT SEAL	
ANGULAR TOL		± 3.0°		DRWN: MKP		2020/09/21			
4 PLACES		±		CHK'D: MJMITCHELL		2020/09/21		PRODUCT CUSTOMER DRAWING	
3 PLACES		±		APPR: MJMITCHELL		2020/09/21			
2 PLACES		± 0.1		INITIAL REVISION:				DOCUMENT NUMBER	
1 PLACE		± 0.3		DRWN: DGRIFITHS		2005/08/26			
0 PLACES		±		APPR: smarceau		2005/08/29		SD-33481-041	
DRAFT WHERE APPLICABLE MUST REMAIN WITHIN DIMENSIONS		THIRD ANGLE PROJECTION		DRAWING		SERIES		MATERIAL NUMBER	
				D-SIZE		33481		CUSTOMER	
								GENERAL MARKET	
								SHEET NUMBER	
								1 OF 5	

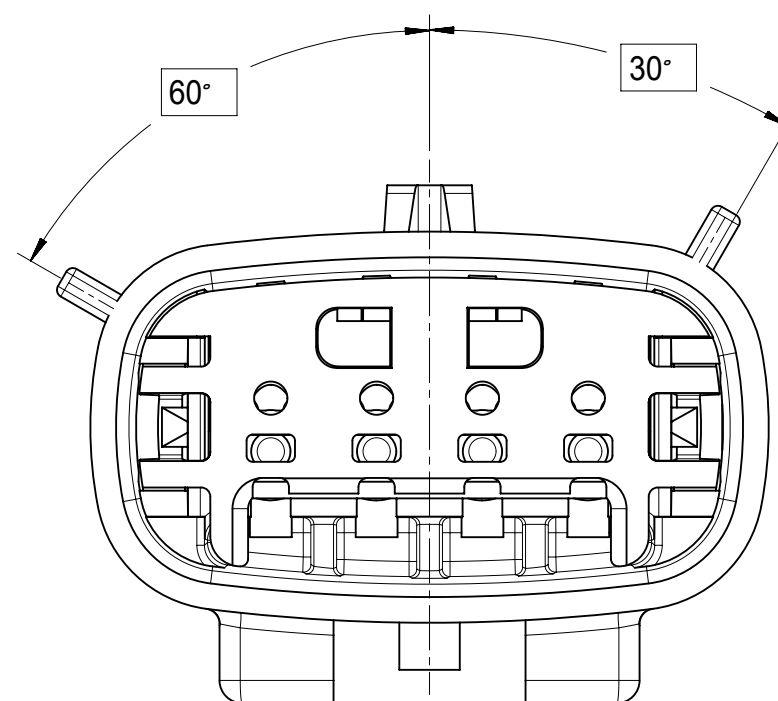
KEY CONFIGURATIONS



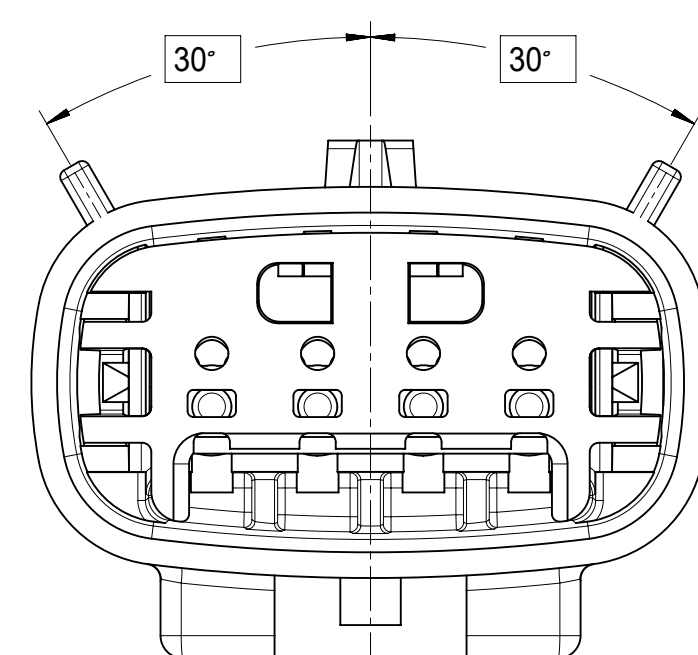
KEY A



KEY B



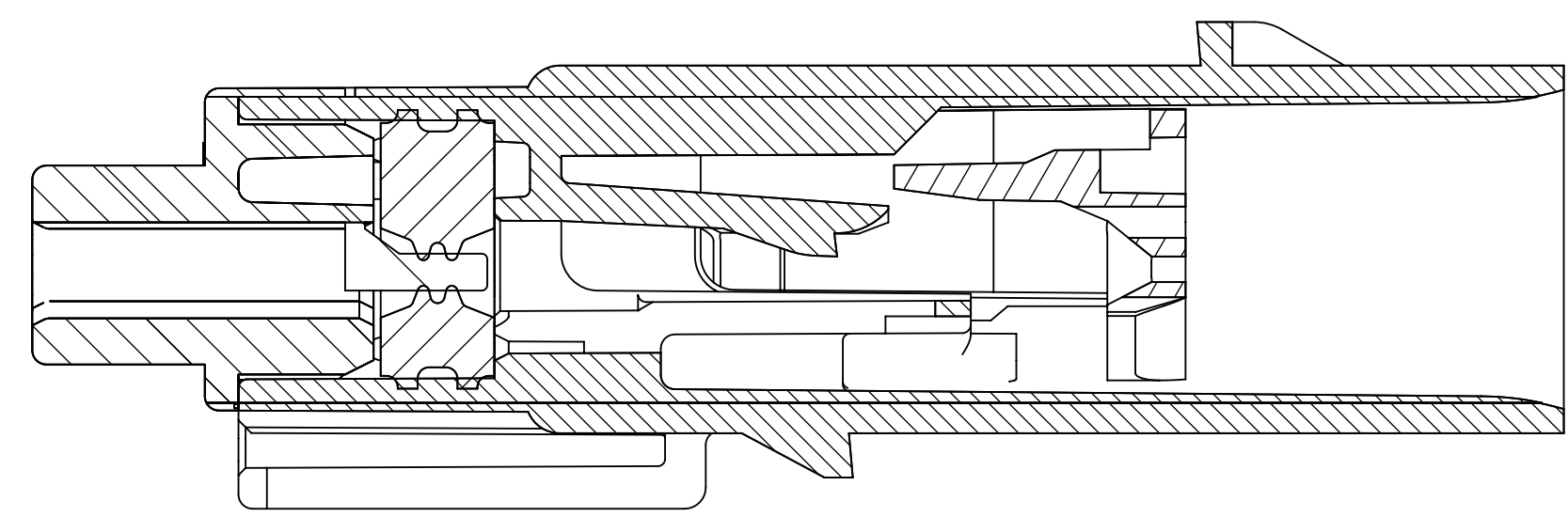
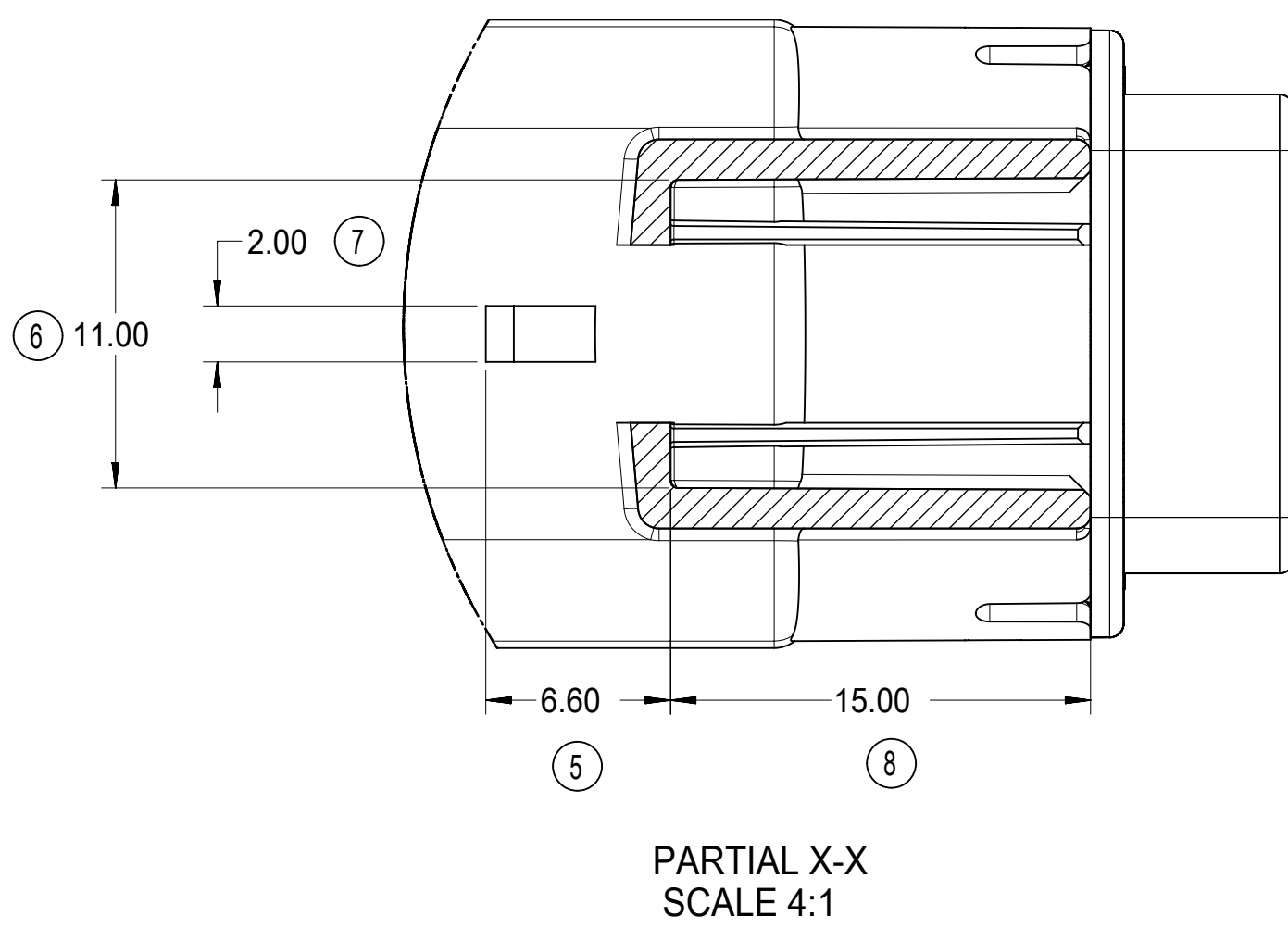
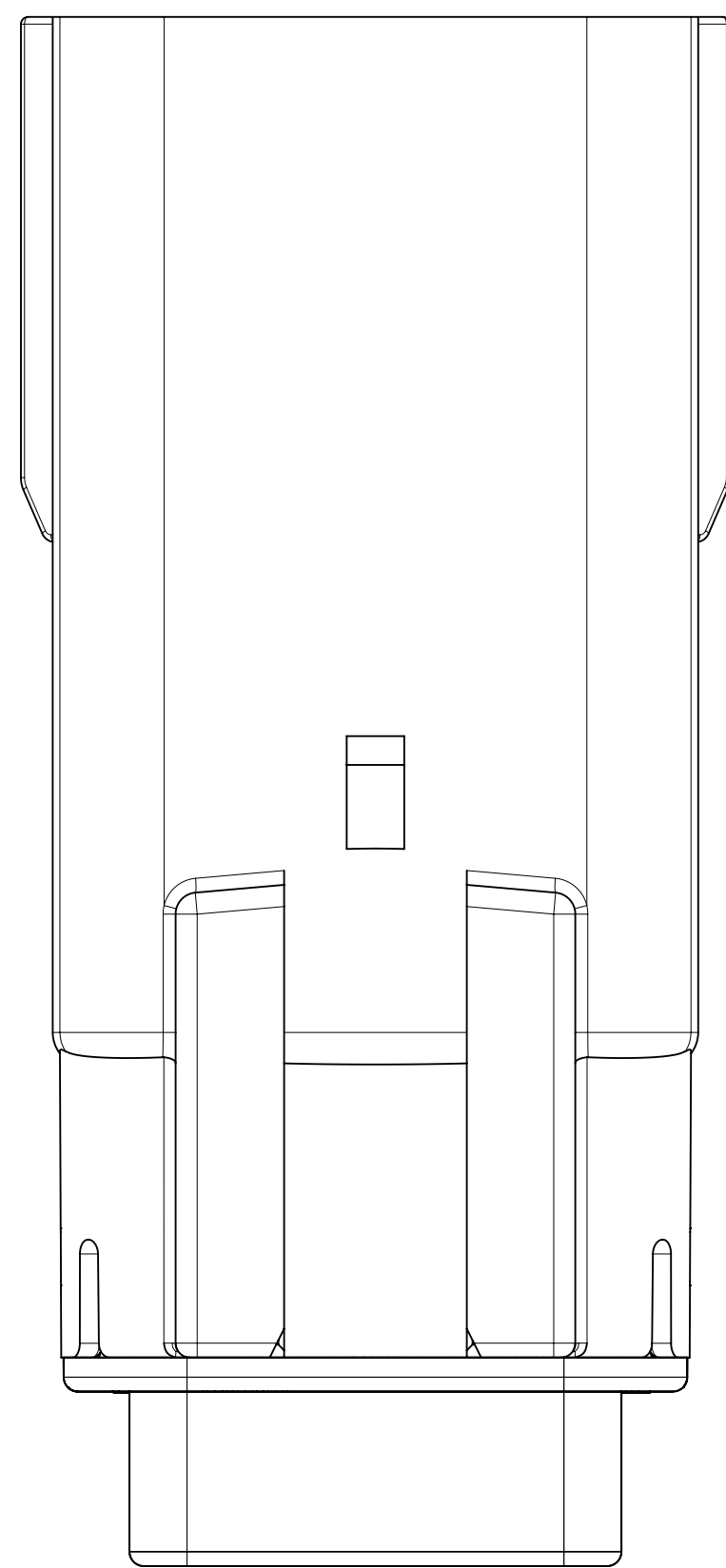
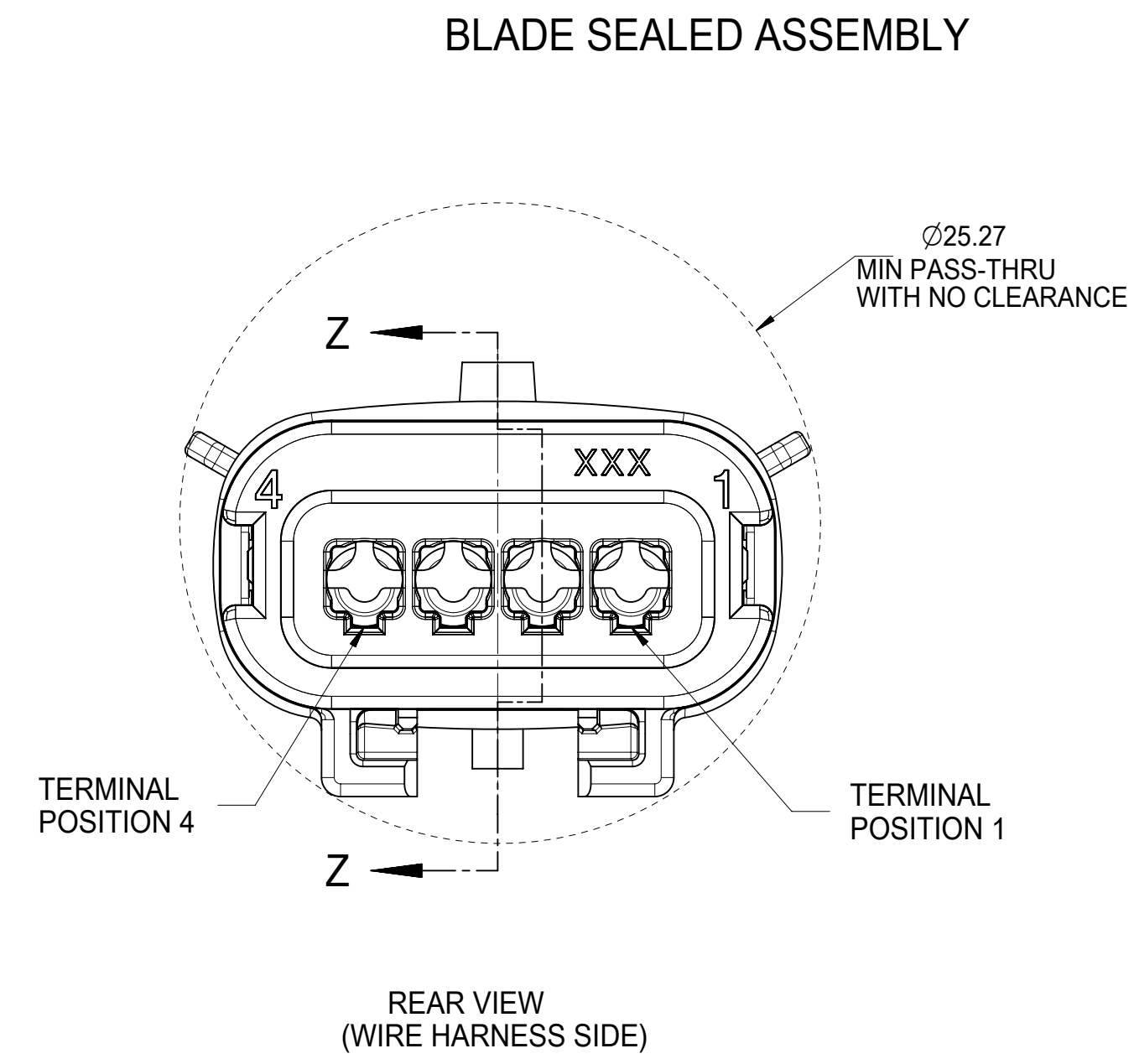
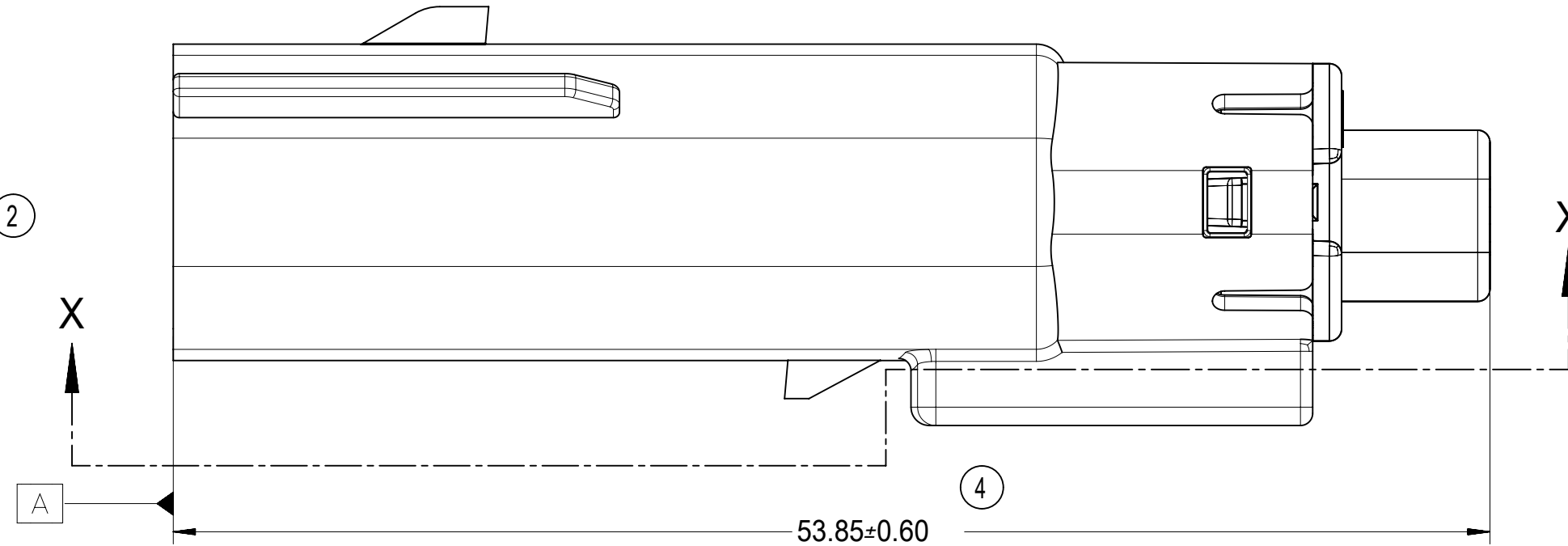
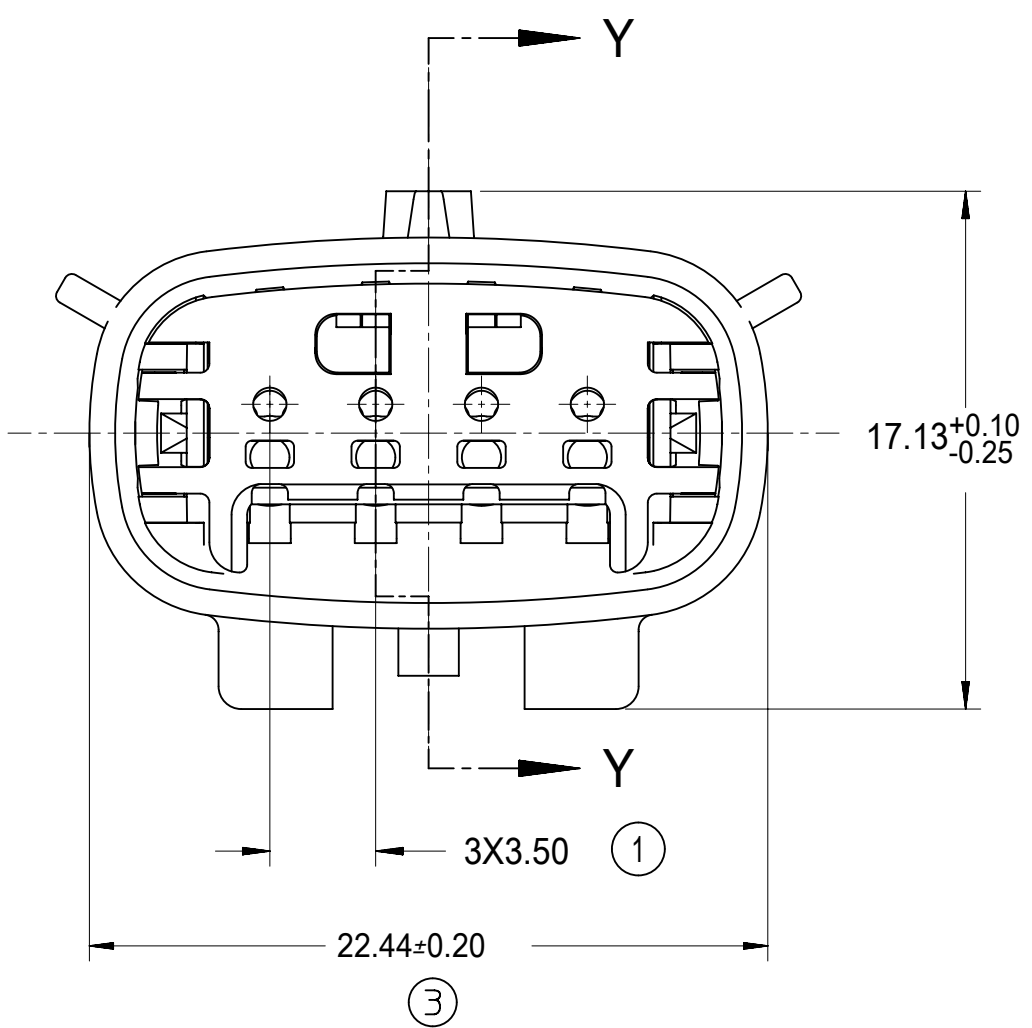
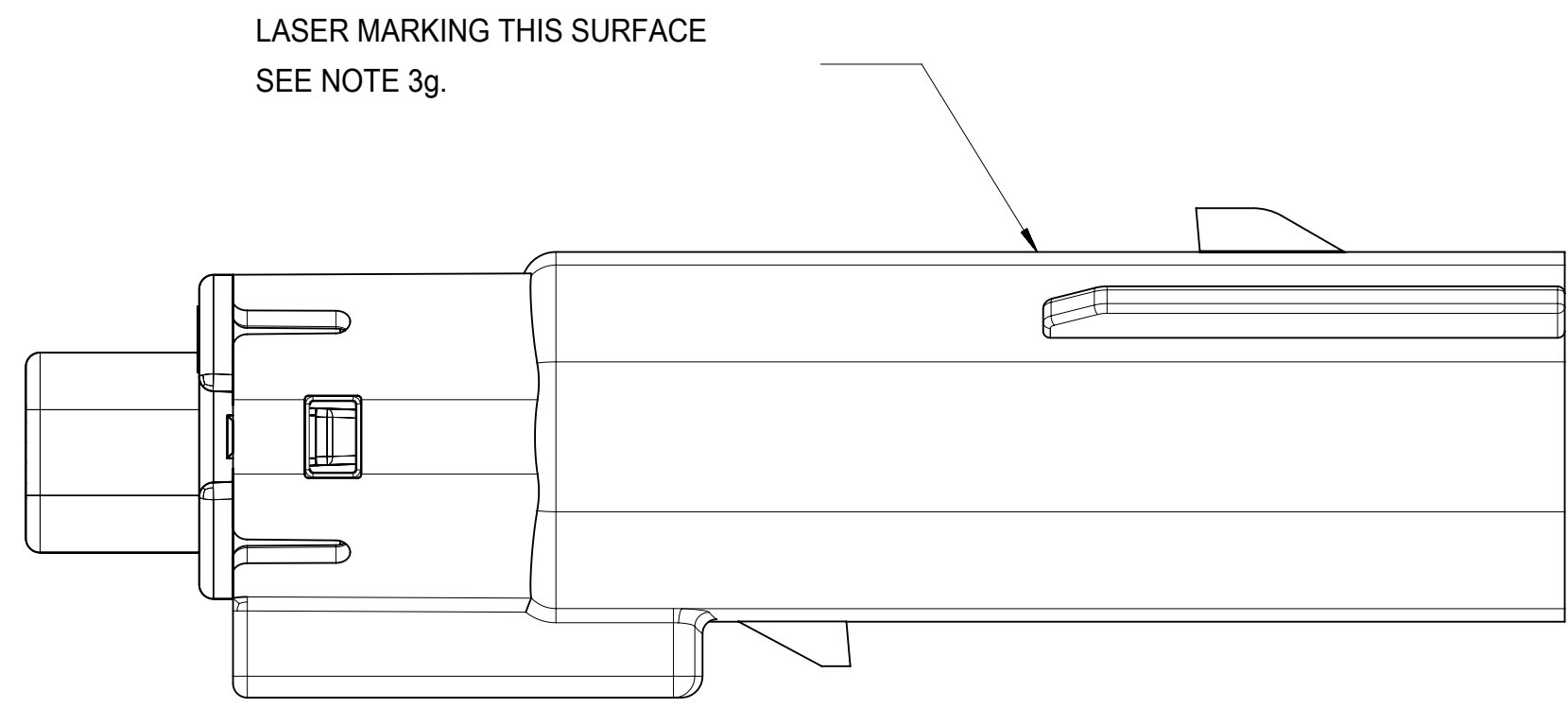
KEY C



KEY D

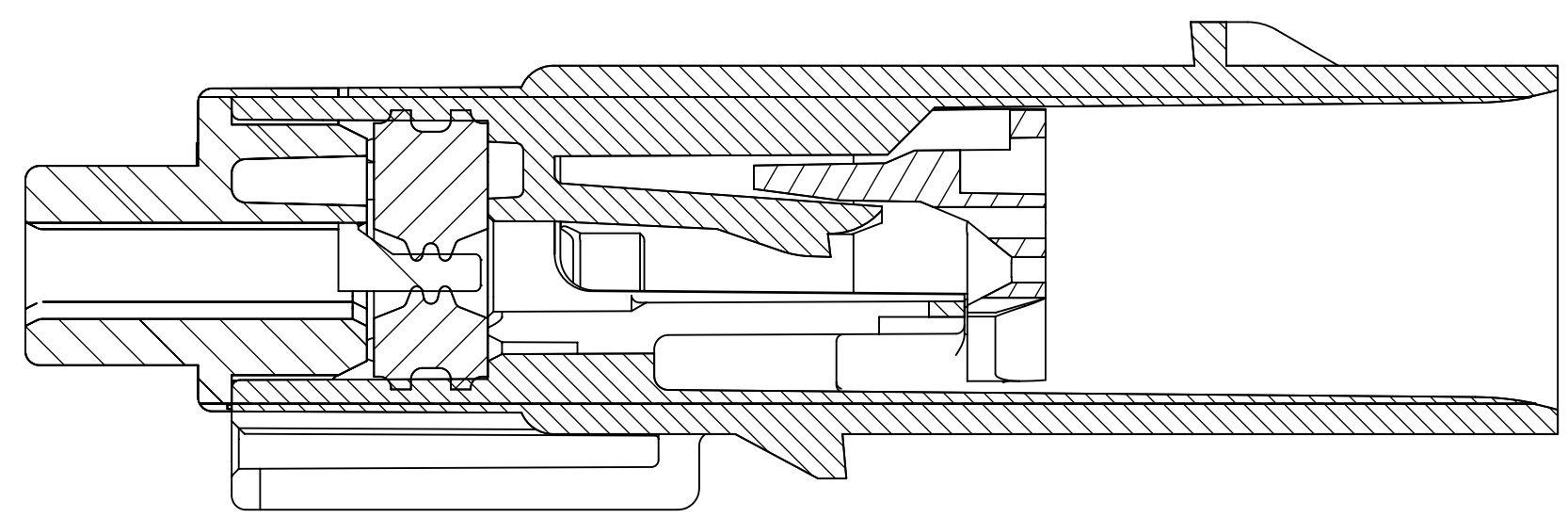
THIS DRAWING CONTAINS INFORMATION THAT IS PROPRIETARY TO MOLEX ELECTRONIC TECHNOLOGIES, LLC AND SHOULD NOT BE USED WITHOUT WRITTEN PERMISSION

DIMENSION UNITS <b>mm</b>	SCALE <b>4:1</b>	CURRENT REV DESC: UPDATED PARTS STATUS	<b>molex</b>			
GENERAL TOLERANCES (UNLESS SPECIFIED)		EC NO: 645317				MX150 1X4 BLADE SEALED ASSEMBLY MAT SEAL
ANGULAR TOL ± 3.0°	4 PLACES ±	DRWN: MKP 2020/08/07	PRODUCT CUSTOMER DRAWING			
3 PLACES ±	3 PLACES ±	CHK'D: MJMITCHELL 2020/09/21	DOCUMENT NUMBER	DOC TYPE	DOC PART	REVISION
2 PLACES ± 0.1	2 PLACES ±	APPR: MJMITCHELL 2020/09/21	<b>SD-33481-041</b>	PSD	001	<b>W3</b>
1 PLACE ± 0.3	1 PLACE ±	INITIAL REVISION: DRWN: DGRIFITHS 2005/08/26	MATERIAL NUMBER		CUSTOMER	
0 PLACES ±	0 PLACES ±	APPR: smarceau 2005/08/29	33481		GENERAL MARKET	
DRAFT WHERE APPLICABLE MUST REMAIN WITHIN DIMENSIONS	THIRD ANGLE PROJECTION	DRAWING	SERIES		SHEET NUMBER	
		<b>D-SIZE</b>	<b>33481</b>		<b>2 OF 5</b>	



PRIMARY LOCK REINFORCEMENT (PLR) SHOWN  
IN PRE-STAGED POSITION

SECTION Z-Z



PRIMARY LOCK REINFORCEMENT (PLR) SHOWN  
IN FINAL-LOCK POSITION

SECTION Y-Y

THIS DRAWING CONTAINS INFORMATION THAT IS PROPRIETARY TO MOLEX ELECTRONIC TECHNOLOGIES, LLC AND SHOULD NOT BE USED WITHOUT WRITTEN PERMISSION									
DIMENSION UNITS <b>mm</b>		SCALE <b>4:1</b>		CURRENT REV DESC: UPDATED PARTS STATUS					
GENERAL TOLERANCES (UNLESS SPECIFIED)				EC NO: 645317					
ANGULAR TOL ± 3.0°				DRWN: MKP		2020/08/07			
4 PLACES ±				CHK'D: MJMITCHELL		2020/09/21			
3 PLACES ±				APPR: MJMITCHELL		2020/09/21			
2 PLACES ± 0.1				INITIAL REVISION:					
1 PLACE ± 0.3				DRWN: DGRIFITHS		2005/08/26			
0 PLACES ±				APPR: smarceau		2005/08/29			
DRAFT WHERE APPLICABLE MUST REMAIN WITHIN DIMENSIONS			THIRD ANGLE PROJECTION		DRAWING <b>D-SIZE</b>		SERIES <b>33481</b>		MATERIAL NUMBER
							CUSTOMER GENERAL MARKET		SHEET NUMBER 3 OF 5

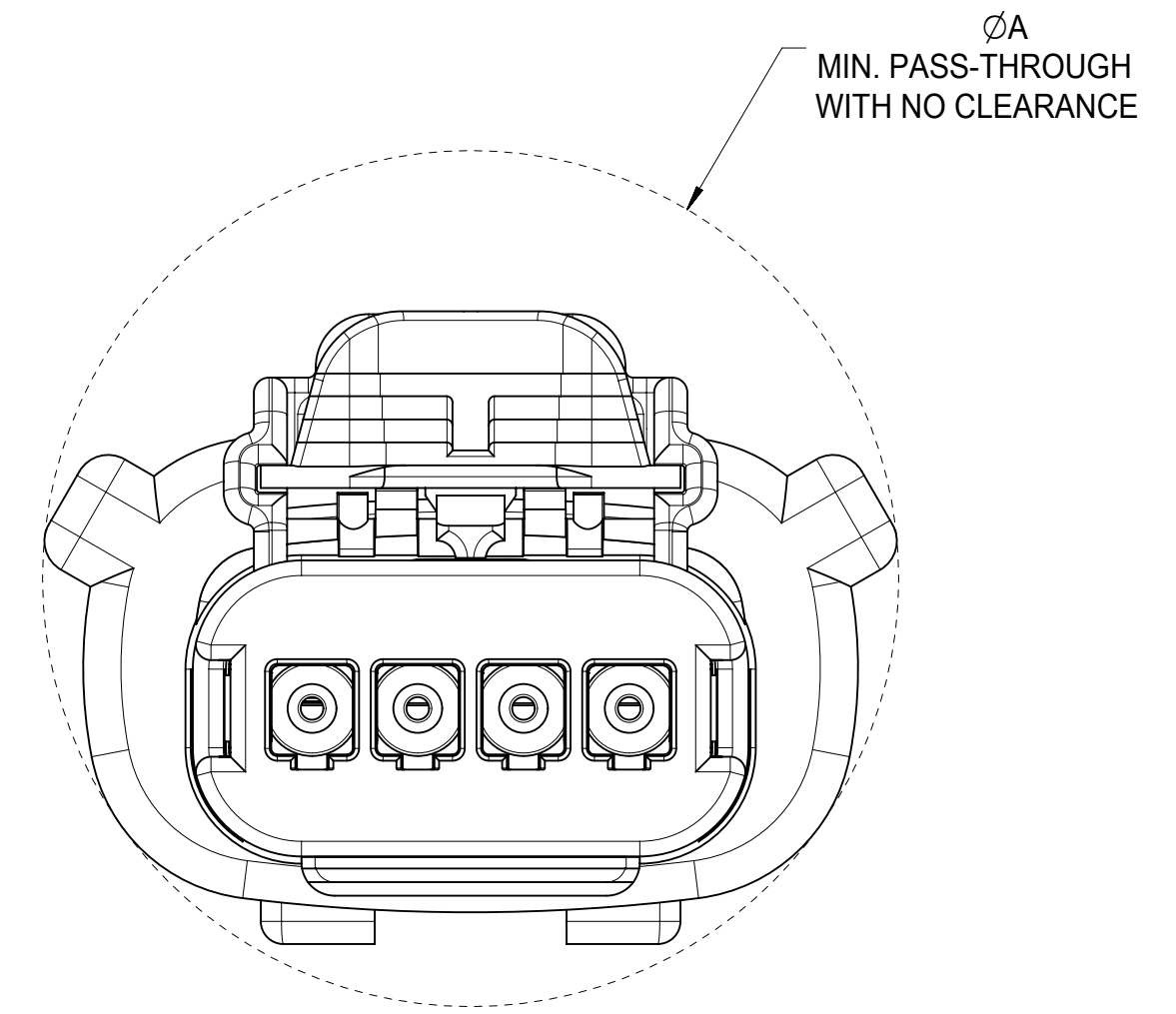
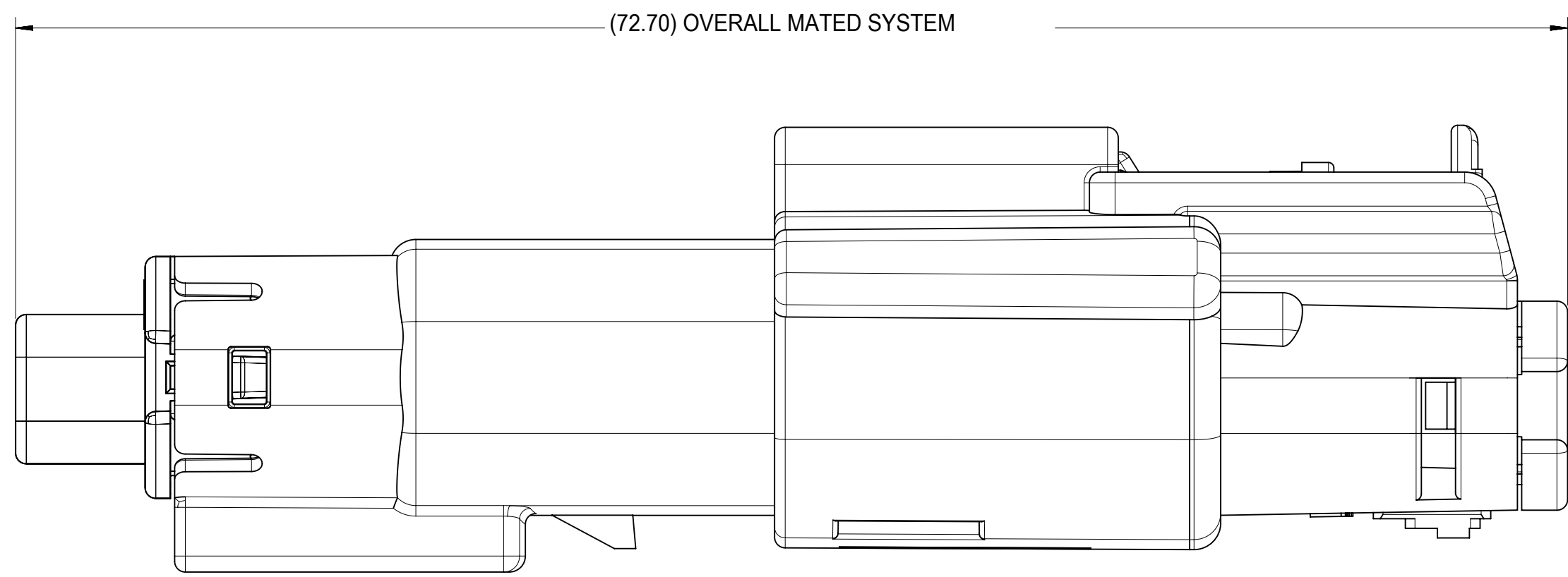
**molex**

MX150 1X4 BLADE  
SEALED ASSEMBLY MAT SEAL

PRODUCT CUSTOMER DRAWING

DOCUMENT NUMBER	DOC TYPE	DOC PART	REVISION
<b>SD-33481-041</b>	PSD	001	<b>W3</b>

DOCUMENT STATUS	P1	RELEASE DATE	2020/09/21	14:03:58
-----------------	----	--------------	------------	----------



CHARTED DIMENSIONS	
CONFIGURATION	A
MX150 1X4 RECPT SEALED ASSY - STANDARD	29.14
MX150 1X4 RECPT SEALED ASSY - ERGO	29.33
MX150 1X4 RECPT SEALED ASSY - SHORTING (SHRT) BAR	29.14

THIS DRAWING CONTAINS INFORMATION THAT IS PROPRIETARY TO MOLEX ELECTRONIC TECHNOLOGIES, LLC AND SHOULD NOT BE USED WITHOUT WRITTEN PERMISSION											
DIMENSION UNITS		SCALE		CURRENT REV DESC: UPDATED PARTS STATUS						<b>molex</b>	
mm		4:1									
GENERAL TOLERANCES (UNLESS SPECIFIED)				EC NO: 645317							
ANGULAR TOL ± 3.0°				DRWN: MKP		2020/08/07		MX150 1X4 BLADE SEALED ASSEMBLY MAT SEAL			
4 PLACES ±				CHK'D: MJMITCHELL		2020/09/21					
3 PLACES ±				APPR: MJMITCHELL		2020/09/21		PRODUCT CUSTOMER DRAWING			
2 PLACES ± 0.1				INITIAL REVISION:							
1 PLACE ± 0.3				DRWN: DGRIFITHS		2005/08/26		DOCUMENT NUMBER		DOC TYPE	
0 PLACES ±				APPR: smarceau		2005/08/29		SD-33481-041		PSD	
DRAFT WHERE APPLICABLE MUST REMAIN WITHIN DIMENSIONS				THIRD ANGLE PROJECTION		DRAWING		SERIES		MATERIAL NUMBER	
				D-SIZE		33481		CUSTOMER		REVISION	
								GENERAL MARKET		001 W3	
								SHEET NUMBER		4 OF 5	

W3

ASSEMBLY PART NUMBER	COLOR	KEYING OPTION	CAVITY TYPE & STATUS (X = PLUGGED)				STATUS	COMMENTS
			1	2	3	4		
33481-0401	BLACK	A					NOT RECOMMENDED	
33481-0402	LT. GRAY	B					NOT RECOMMENDED	
33481-0403	BROWN	C					NOT RECOMMENDED	NOT RECOMMENDED, SEE P/N 33481-0424
33481-0404	GREEN	D					NOT RECOMMENDED	NOT RECOMMENDED, SEE P/N 33481-0425
33481-0405	BLACK	C					PLANNED OBSOLESCENCE	
33481-0406	BLACK	A				X	NOT RECOMMENDED	
33481-0407	LT. GRAY	B				X	PLANNED OBSOLESCENCE	
33481-0408	BROWN	C				X	PLANNED OBSOLESCENCE	
33481-0409	GREEN	D				X	PLANNED OBSOLESCENCE	
33481-0410	CUSTOM	TBD				X	PLANNED OBSOLESCENCE	
33481-0411	BLACK	A	X			X	NOT RECOMMENDED	
33481-0412	LT. GRAY	B	X			X	PLANNED OBSOLESCENCE	
33481-0413	BROWN	C	X			X	PLANNED OBSOLESCENCE	
33481-0414	GREEN	D	X			X	PLANNED OBSOLESCENCE	
33481-0415	CUSTOM	TBD	X			X	PLANNED OBSOLESCENCE	
33481-0416	BLACK	A	X	X	X	X	NOT RECOMMENDED	
33481-0417	LT. GRAY	B	X	X	X	X	PLANNED OBSOLESCENCE	
33481-0418	BROWN	C	X	X	X	X	NOT RECOMMENDED	NOT RECOMMENDED, SEE P/N 33481-0426
33481-0419	GREEN	D	X	X	X	X	NOT RECOMMENDED	NOT RECOMMENDED, SEE P/N 33481-0427
33481-0420	CUSTOM	TBD	X	X	X	X	PLANNED OBSOLESCENCE	
33481-0421	BLACK	A			X		NOT RECOMMENDED	
33481-0422	BLACK	A			X	X	NOT RECOMMENDED	
33481-0423	LT. GRAY	B	X	X			NOT RECOMMENDED	
33481-0424	DK. GRAY	C					PLANNED OBSOLESCENCE	
33481-0425	ST. GRAY	D					PLANNED OBSOLESCENCE	
33481-0426	DK. GRAY	C	X	X	X	X	PLANNED OBSOLESCENCE	
33481-0427	ST. GRAY	D	X	X	X	X	PLANNED OBSOLESCENCE	
33481-0428	YELLOW	A					PLANNED OBSOLESCENCE	
33481-0429	LT. GRAY	B		X	X		NOT RECOMMENDED	
33481-0430	BLACK	A	X		X		NOT RECOMMENDED	

ASSEMBLY PART NUMBER	COLOR	KEYING OPTION	CAVITY TYPE & STATUS (X = PLUGGED)				STATUS	COMMENTS
			1	2	3	4		
33481-4401	BLACK	A						
33481-4402	LT. GRAY	B						
33481-4403	BROWN	C						NOT RECOMMENDED, SEE P/N 33481-4424
33481-4404	GREEN	D						NOT RECOMMENDED, SEE P/N 33481-4425
33481-4405	BLACK	C						
33481-4406	BLACK	A				X		
33481-4407	LT. GRAY	B				X		
33481-4408	BROWN	C				X		
33481-4409	GREEN	D				X		
33481-4410	CUSTOM	TBD				X		
33481-4411	BLACK	A	X			X		
33481-4412	LT. GRAY	B	X			X		
33481-4413	BROWN	C	X			X		
33481-4414	GREEN	D	X			X		
33481-4415	CUSTOM	TBD	X			X		
33481-4416	BLACK	A	X	X	X	X		
33481-4417	LT. GRAY	B	X	X	X	X		
33481-4418	BROWN	C	X	X	X	X		NOT RECOMMENDED, SEE P/N 33481-4426
33481-4419	GREEN	D	X	X	X	X		NOT RECOMMENDED, SEE P/N 33481-4427
33481-4420	CUSTOM	TBD	X	X	X	X		
33481-4421	BLACK	A			X			
33481-4422	BLACK	A			X	X		
33481-4423	LT. GRAY	B	X	X				
33481-4424	DK. GRAY	C						
33481-4425	ST. GRAY	D						
33481-4426	DK. GRAY	C	X	X	X	X		
33481-4427	ST. GRAY	D	X	X	X	X		
33481-4428	YELLOW	A						
33481-4429	LT. GRAY	B		X	X			
33481-4430	BLACK	A	X		X			

THIS DRAWING CONTAINS INFORMATION THAT IS PROPRIETARY TO MOLEX ELECTRONIC TECHNOLOGIES, LLC AND SHOULD NOT BE USED WITHOUT WRITTEN PERMISSION											
DIMENSION UNITS <b>mm</b>		SCALE <b>1:1</b>		CURRENT REV DESC: UPDATED PARTS STATUS				<b>molex</b>		MX150 1X4 BLADE SEALED ASSEMBLY MAT SEAL	
GENERAL TOLERANCES (UNLESS SPECIFIED)				EC NO: 645317							
ANGULAR TOL ± 3.0°		4 PLACES ±		DRWN: MKP 2020/08/07		2020/09/21		PRODUCT CUSTOMER DRAWING			
3 PLACES ±		2 PLACES ± 0.1		DRWN: MJMITCHELL 2020/09/21		2020/09/21		DOCUMENT NUMBER			
1 PLACE ± 0.3		0 PLACES ±		APPR: MJMITCHELL 2020/09/21		INITIAL REVISION:		SD-33481-041			
DRAFT WHERE APPLICABLE MUST REMAIN WITHIN DIMENSIONS		THIRD ANGLE PROJECTION		DRAWING		SERIES		MATERIAL NUMBER		CUSTOMER	
				<b>D-SIZE</b>		<b>33481</b>		GENERAL MARKET		PSD 001 W3	
										SHEET NUMBER 5 OF 5	