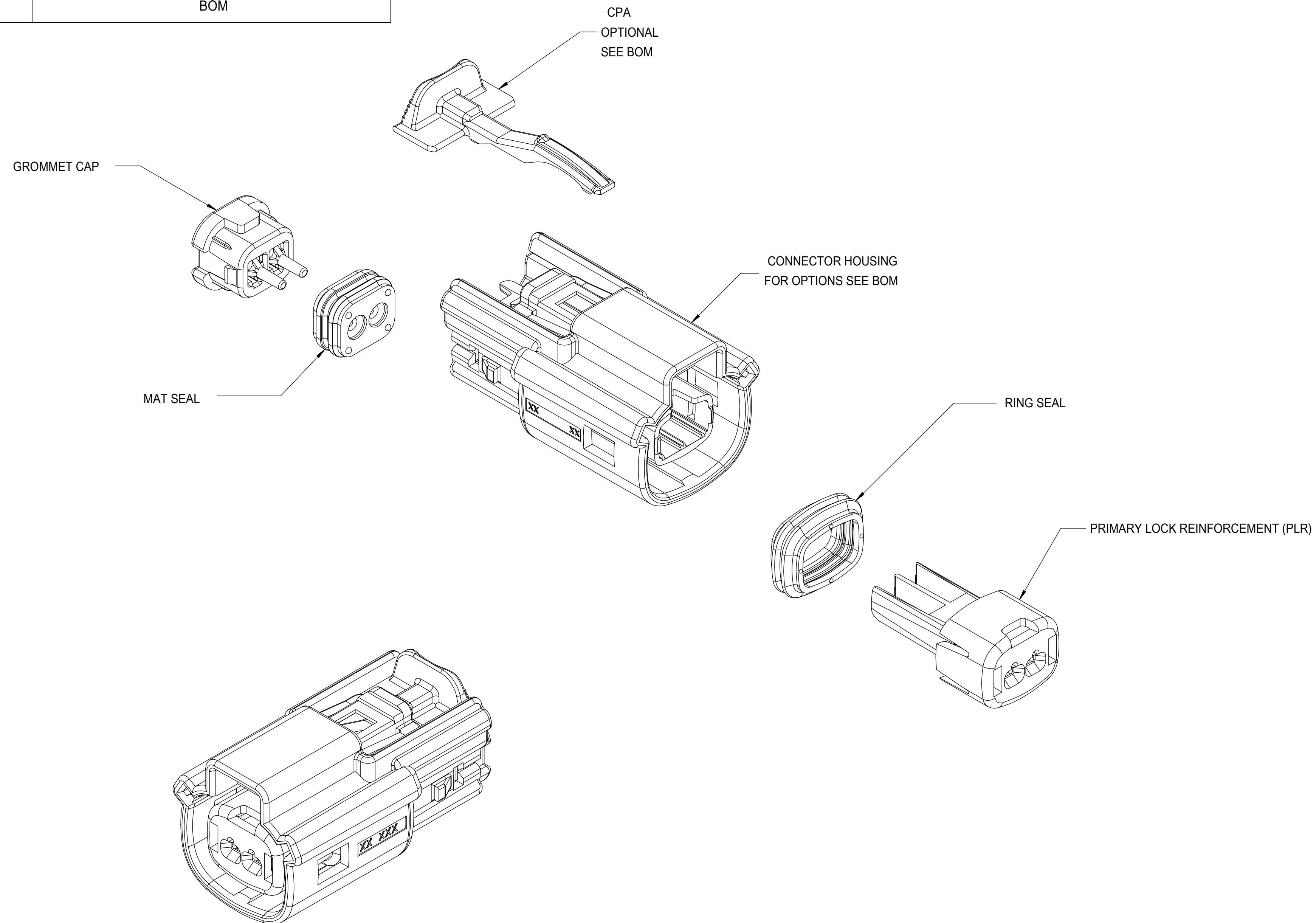


| TABLE OF CONTENTS | |
|-------------------|----------------------------|
| SHEET NO. | SHEET DESCRIPTION |
| 1 | NOTES |
| 2 | KEY CONFIGURATIONS |
| 3 | RECEPTACLE SEALED ASSEMBLY |
| 4 | BACKSHELL NOTES |
| 5 | BACKSHELL |
| 6 | BACKSHELL CONFIGURATIONS |
| 7 | BOM |



NOTES: VALID UNLESS OTHERWISE SPECIFIED

1. GENERAL:
 - a. APPLICATION SPECIFICATION SEE: AS-33472-100
 - CONTAINS: PRODUCT INTRODUCTION, PRODUCT SUMMARY, CONNECTOR ASSEMBLY, PACKAGING INFORMATION, CONNECTOR MATING, SERVICE INSTRUCTIONS, ELECTRICAL CONTINUITY CHECKING, CRIMPING, AND TROUBLESHOOTING.
 - DESIGNED TO MATE WITH DEVICE CONNECTION AS SPECIFIED IN DRAWING EWCAP 150-S-002-1-Z05, AVAILABLE AT <http://ewcap.uscarteams.org>.
 - DESIGNED TO MATE WITH BLADE SEALED ASSEMBLY AS SPECIFIED IN DRAWING SD-33481-021
 - FOR 1.5mm RECEPTACLE TERMINALS TO BE USED WITH THIS ASSEMBLY. SEE MOLEX DRAWING SD-33012-002.
 - SYSTEM TO BE USED WITH WIRE WITHIN DIAMETER RANGE OF 1.2 mm TO 2.69 mm.
 - ASSEMBLY SHIPPED WITH PLR AND CPA IN PRE-LOCK POSITION (SEE SECTION Z-Z PRE-LOCK).
 - IN THE EVENT THAT THE PLR IS FOUND IN THE SEATED (FINAL LOCK) POSITION, REFER TO MOLEX SPECIFICATION PS-34646-001, AVAILABLE AT www.molex.com <http://www.molex.com>.
 - ASSEMBLY CONFORMS TO SAE/USCAR-2 REV.4 WITH THE FOLLOWING EXCEPTIONS: ENGAGEMENT FORCE TO MOVE CPA FROM PRE-LOCK TO FINAL LOCK POSITION WHEN UNMATED: 40N MIN. DISENGAGEMENT FORCE TO MOVE CPA FROM FINAL LOCK TO PRE-LOCK POSITION: 3N MIN, 40N MAX. TERMINAL INSERTION FORCE FOR WIRE DIAMETER ABOVE 2.5mm NOT EXCEEDING 2.69mm SHALL NOT EXCEED 40 NEWTONS.
 - b. PRODUCT SPECIFICATION SEE: PS-33471-000
 - CONTAINS: PRODUCT INTRODUCTION, PRODUCT SUMMARY, RATINGS (CURRENT, TEMPERATURE, SEALING, AND FLAMMABILITY), AND PRODUCT VALIDATION.
 - c. PACKAGING SPECIFICATION PER MOLEX DRAWING: PK-31300-635
 - d. PARTS MUST BE IN COMPLIANCE TO MOLEX CHEMICAL SUBSTANCES FOR PRODUCTS AND PACKAGING SPECIFICATION: ES-40000-5016
 - e. DATA MUST BE SUBMITTED UNDER THE MOLEX PART NUMBER TO IMDS (COMPANY ID#13255)
2. DESIGN - MATERIALS:
 - a. SEE BOM TABLE
3. DESIGN - GEOMETRY:
 - a. THIS IS A 100% CAD GENERATED PART. THE CAD MATHEMATICAL DATA IS THE MASTER FOR THIS PART. FOR DIMENSIONAL OR ANY INFORMATION NOT SHOWN ON THIS DRAWING, ANALYZE THE CAD MODEL.
 - b. GEOMETRIC DIMENSIONS AND TOLERANCES PER ASME Y14.5M - 1994
 - c. EDGES AND UNDIMENSIONED DETAILS PER ISO13715
 - d. CORNERS SHOWN AS SHARP TO BE R 0.2 MAX.
 - e. LETTERING SHALL BE 0.15 MAX RAISED IN 0.25 MAX RECESS PAD. THIS INCLUDES RECYCLING CODE, CAVITY ID, VENDOR IDENTIFICATION, AND CUSTOMER MATERIAL NUMBER.
 - f. VISUAL DEFECTS SHALL MEET COSMETIC STANDARD PS-45499-002 (Class B)
 - g. LASER MARKING: TBD

INSPECTION NUMBER LOG
 LAST NUMBER USED: 5
 ADDED:
 REMOVED:

| | |
|-----|---------------------------------|
| C12 | UPDATED THE DRAWING FRAME |
| C11 | ADD NEW P/N 33471-0224 |
| C10 | ADD NEW P/N 33471-0223 |
| C9 | UPDATED VIEWSET & NOTES |
| C8 | RENAMED BACKSHELLS |
| C7 | UPDATED CONFIGURATIONS SHEET 3 |
| C6 | UPDATED PACKAGING SPECIFICATION |
| C5 | UPDATED GROMMET CAP CALLOUT |
| C4 | REDRAWN, ADDED BACKSHELL |
| REV | DESCRIPTION |

| FUNCTIONAL SYMBOLS | THIS DRAWING CONTAINS INFORMATION THAT IS PROPRIETARY TO MOLEX ELECTRONIC TECHNOLOGIES, LLC AND SHOULD NOT BE USED WITHOUT WRITTEN PERMISSION | | CURRENT REV DESC: | | | | |
|--|---|------------------------|-------------------|------------|-----------------|----------------|--------------|
| DIMENSION UNITS | SCALE | | | | | | |
| $\frac{F}{A} = 0$ | mm | 3:1 | | | | | |
| $\frac{F}{C} = 0$ | GENERAL TOLERANCES (UNLESS SPECIFIED) | | | | | | |
| $\frac{F}{D} = 0$ | ANGULAR TOL $\pm 3.0^\circ$ | | | | | | |
| DIVISIONAL SYMBOLS | 4 PLACES | \pm | EC NO: 643941 | | | | |
| | 3 PLACES | \pm | DRWN: XLDONG03 | 2020/08/21 | | | |
| | 2 PLACES | ± 0.1 | CHK'D: JDENG02 | 2020/08/26 | | | |
| | 1 PLACE | ± 0.2 | APPR: JDENG02 | 2020/08/26 | | | |
| | 0 PLACES | \pm | INITIAL REVISION: | | | | |
| DRAFT WHERE APPLICABLE MUST REMAIN WITHIN DIMENSIONS | | THIRD ANGLE PROJECTION | DRAWING | SERIES | MATERIAL NUMBER | CUSTOMER | SHEET NUMBER |
| | | | D-SIZE | 33471 | SEE BOM | GENERAL MARKET | 1 OF 7 |

molex

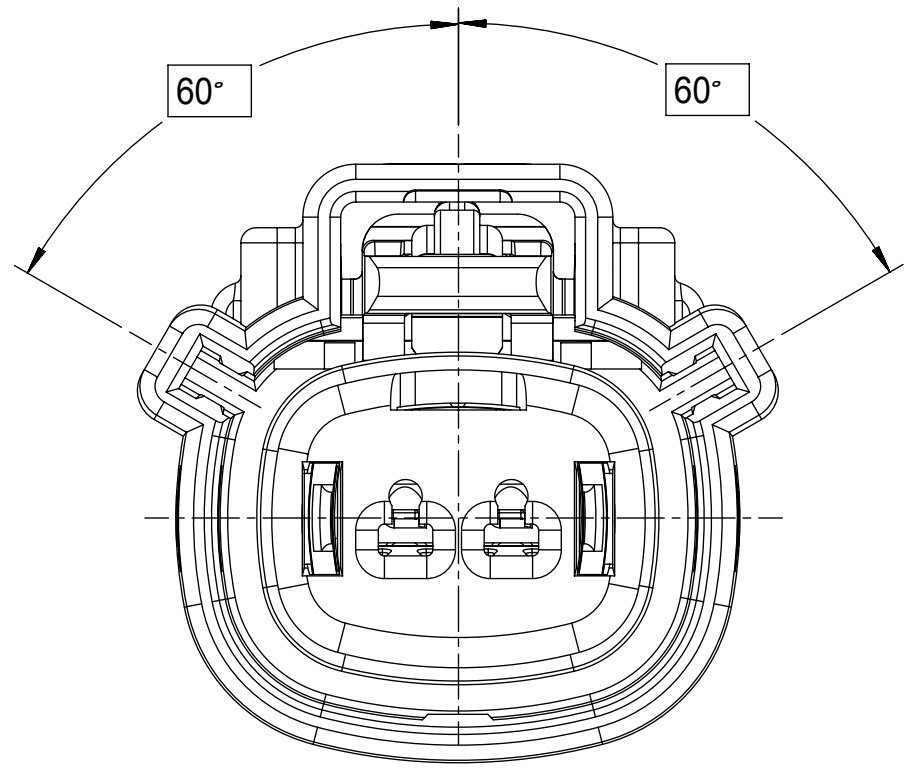
MX150 1X2 RECEPTACLE SEALED ASSEMBLY MAT SEAL

PRODUCT CUSTOMER DRAWING

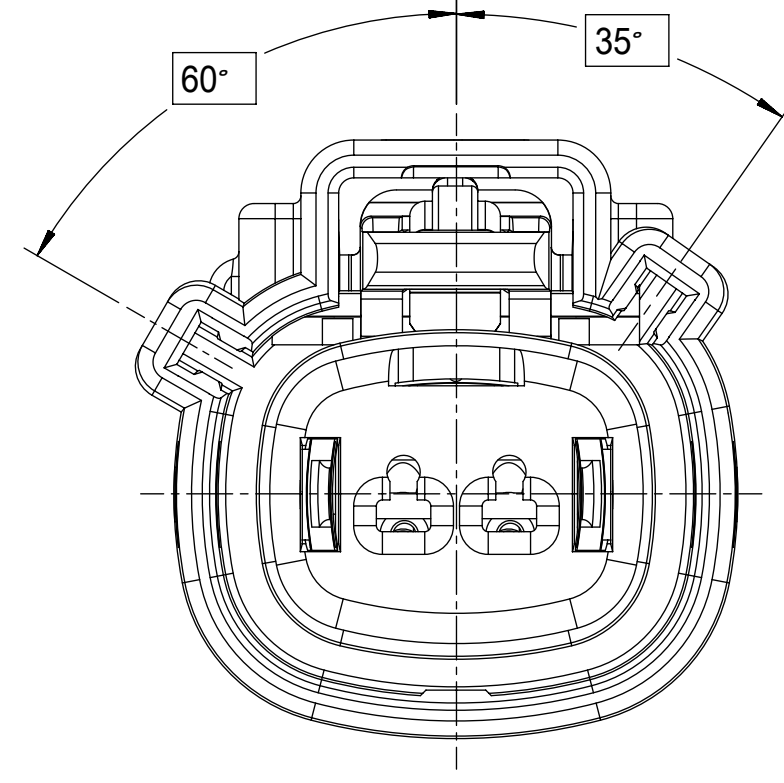
| DOCUMENT NUMBER | DOC TYPE | DOC PART | REVISION |
|-----------------|----------|----------|----------|
| SD-33471-021 | PSD | 001 | C12 |

| DOCUMENT STATUS | P1 | RELEASE DATE | 2020/08/26 | 07:23:54 |
|-----------------|----|--------------|------------|----------|
| 19 | 18 | 17 | 16 | 15 |

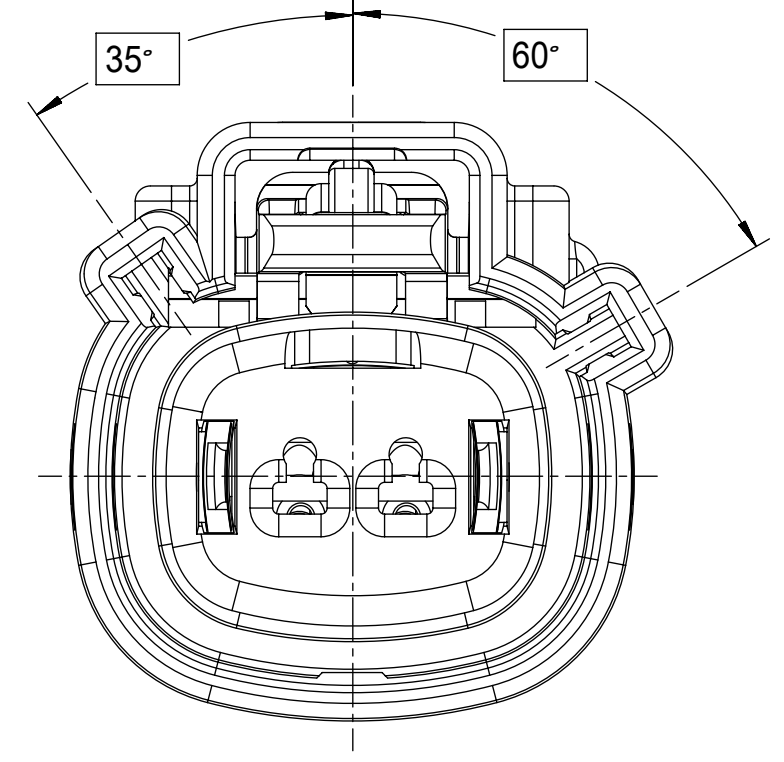
KEY CONFIGURATIONS



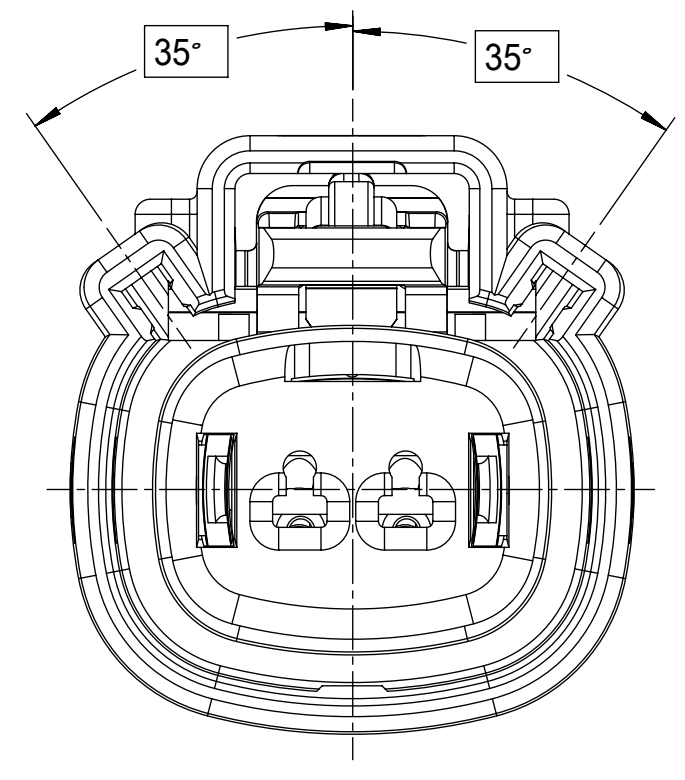
KEY A



KEY B



KEY C



KEY D

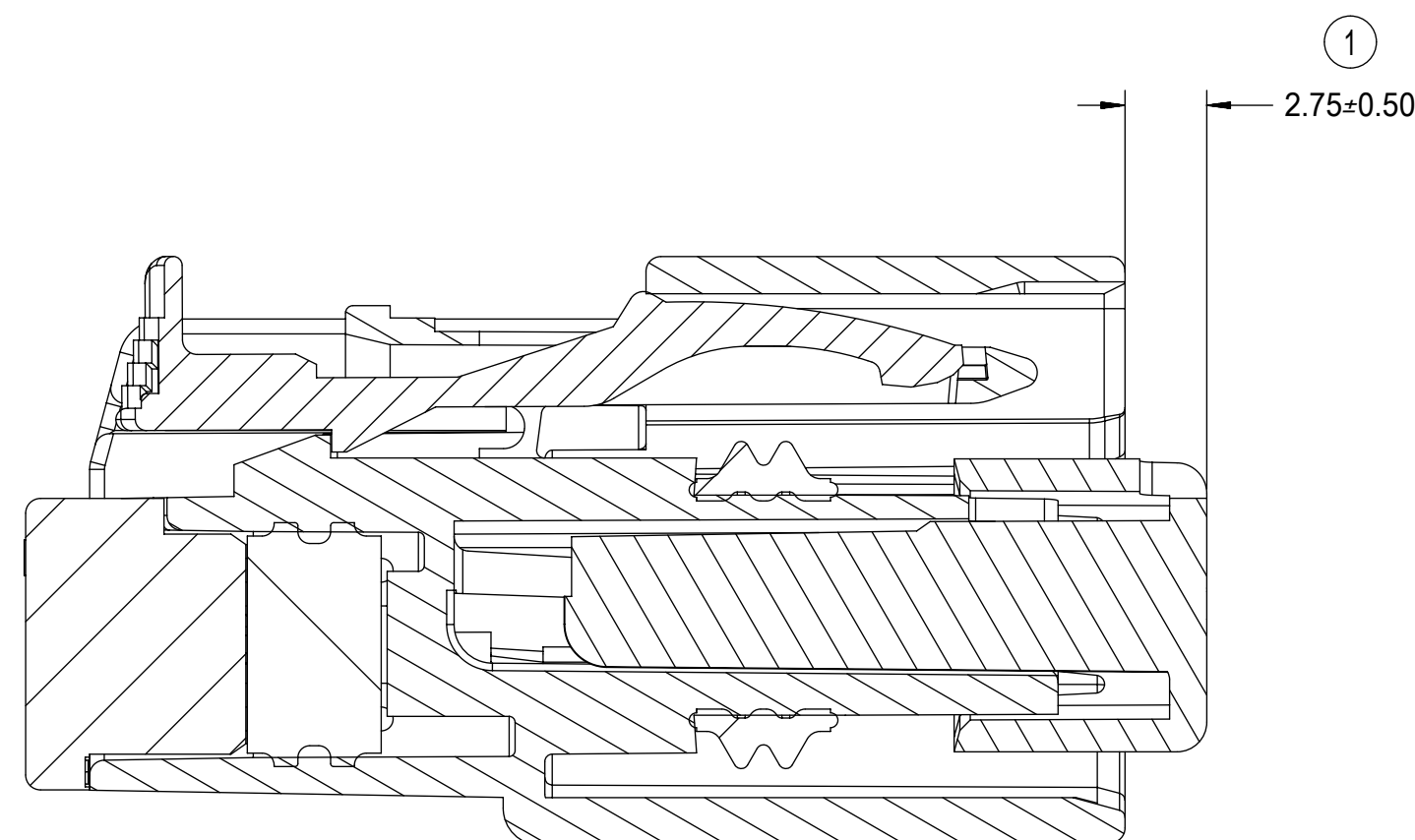
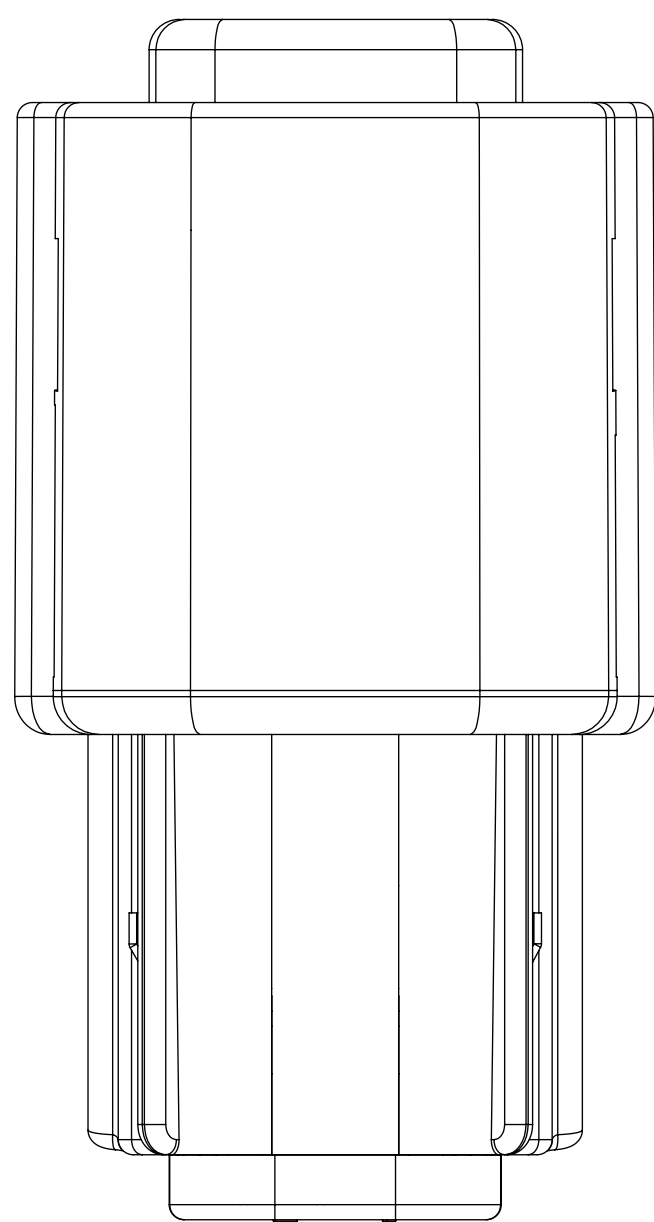
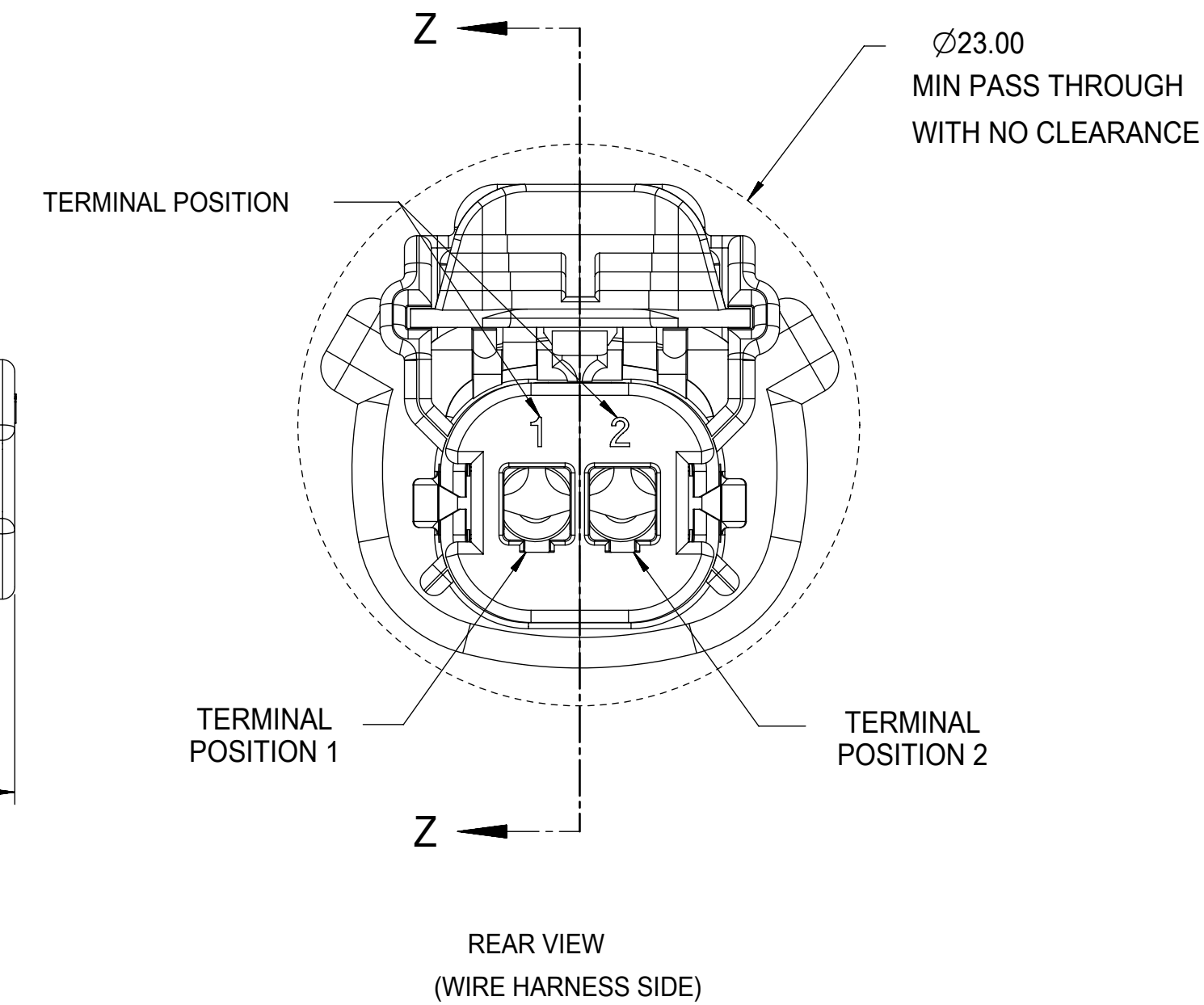
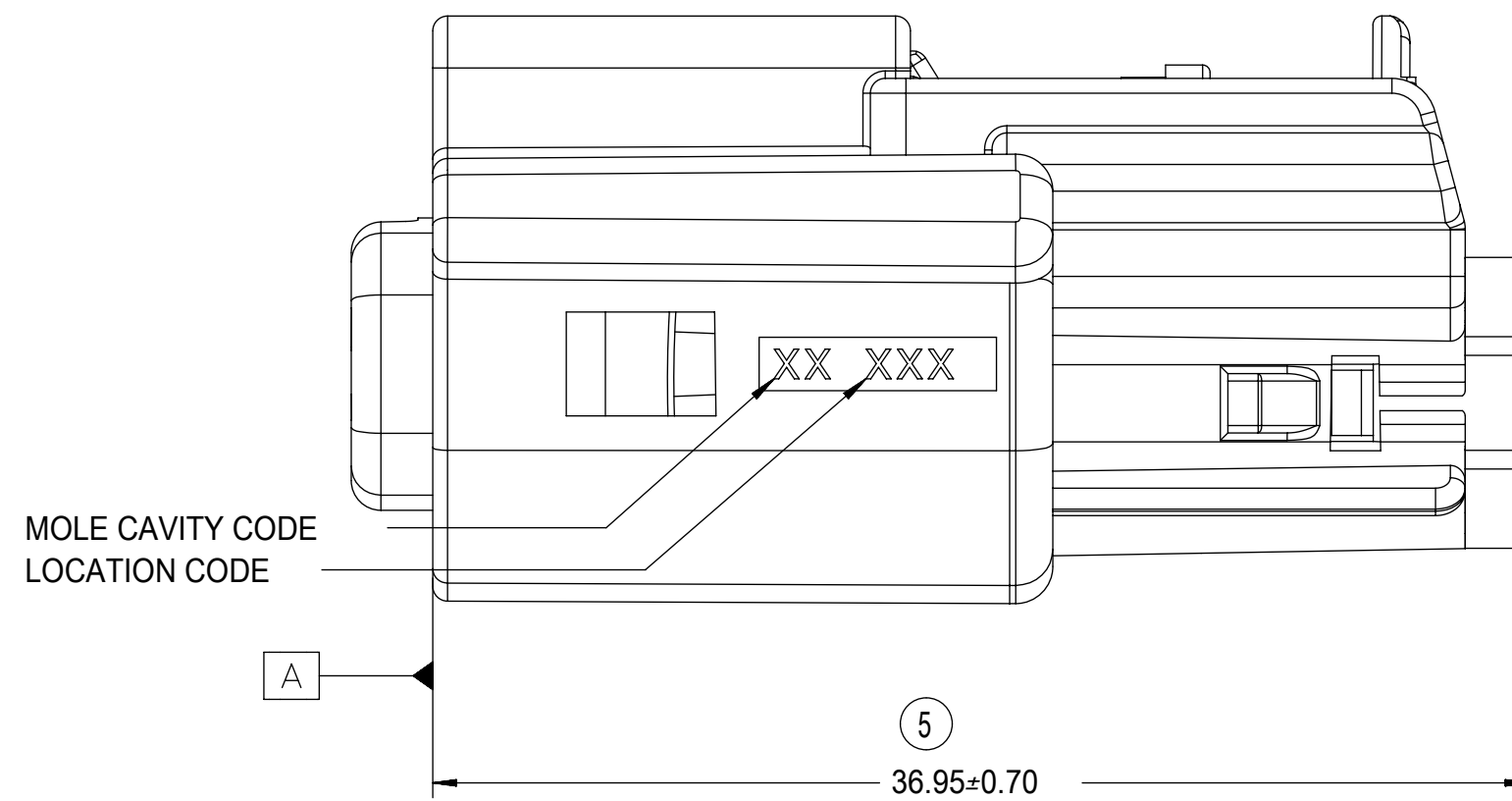
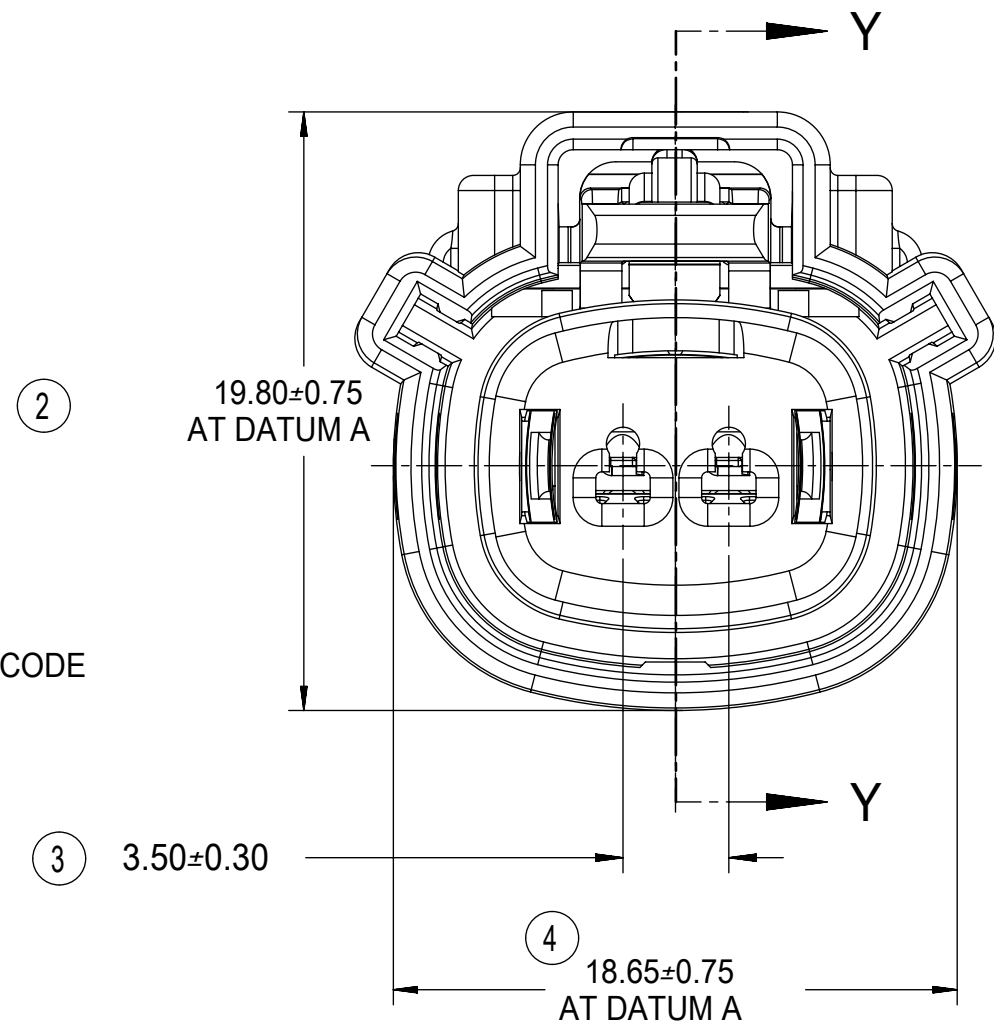
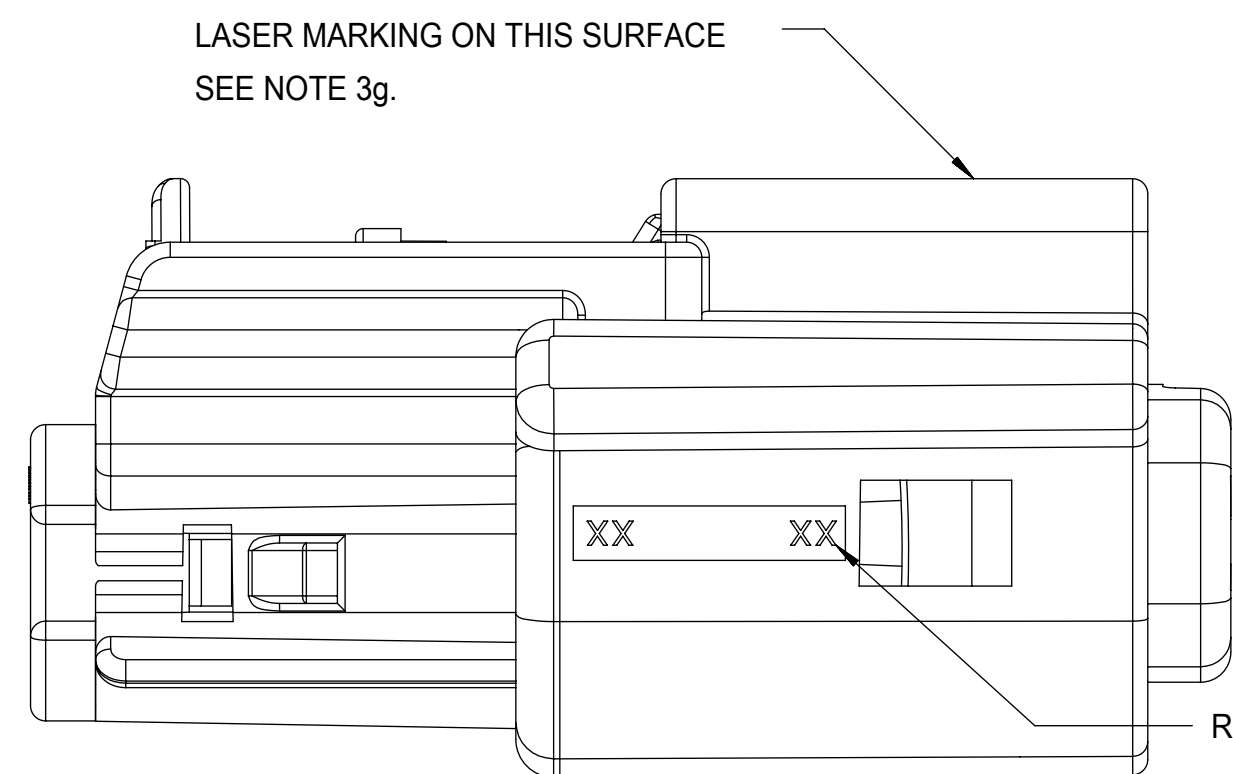
| | | | | | | | |
|--|---|------------------------|---|--------------|-----------------|----------------|---------------|
| FUNCTIONAL SYMBOLS | THIS DRAWING CONTAINS INFORMATION THAT IS PROPRIETARY TO MOLEX ELECTRONIC TECHNOLOGIES, LLC AND SHOULD NOT BE USED WITHOUT WRITTEN PERMISSION | | | | | | |
| | DIMENSION UNITS | SCALE | CURRENT REV DESC: | | | | |
| $F_A = 0$ | mm | 4:1 | EC NO: 643941 DRWN: XLDONG03 2020/08/21 CHK'D: JDENG02 2020/08/26 APPR: JDENG02 2020/08/26 | | | | |
| $F_C = 0$ | GENERAL TOLERANCES (UNLESS SPECIFIED) | | | | | | |
| $F_D = 0$ | ANGULAR TOL $\pm 3.0^\circ$ | | | | | | |
| | 4 PLACES | \pm | | | | | |
| DIVISIONAL SYMBOLS | 3 PLACES | \pm | INITIAL REVISION: DRWN: SVERZYL 2008/06/17 APPR: VKOSHY 2010/11/04 | | | | |
| | 2 PLACES | ± 0.1 | | | | | |
| | 1 PLACE | ± 0.2 | DOCUMENT NUMBER SD-33471-021 | | | | |
| | 0 PLACES | \pm | DOC TYPE PSD | | | | |
| DRAFT WHERE APPLICABLE MUST REMAIN WITHIN DIMENSIONS | | THIRD ANGLE PROJECTION | DRAWING | SERIES | MATERIAL NUMBER | CUSTOMER | SHEET NUMBER |
| | | | D-SIZE | 33471 | SEE BOM | GENERAL MARKET | 2 OF 7 |

molex

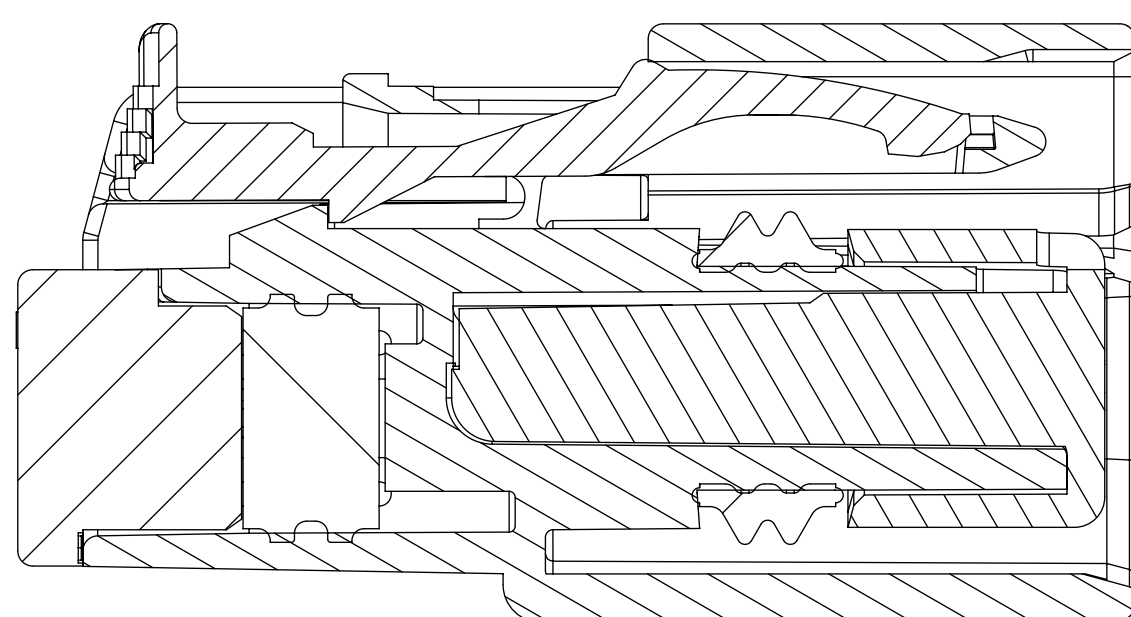
MX150 1X2 RECEPTACLE
SEALED ASSEMBLY MAT SEAL

PRODUCT CUSTOMER DRAWING

DOCUMENT NUMBER: **SD-33471-021** | DOC TYPE: PSD | DOC PART: 001 | REVISION: C12



SECTION Z-Z



SECTION Y-Y

| | | | | |
|--|---|------------------------|-------------------|---------------------|
| FUNCTIONAL SYMBOLS $F_A = 0$ $F_C = 0$ $F_D = 0$ | THIS DRAWING CONTAINS INFORMATION THAT IS PROPRIETARY TO MOLEX ELECTRONIC TECHNOLOGIES, LLC AND SHOULD NOT BE USED WITHOUT WRITTEN PERMISSION | | CURRENT REV DESC: | |
| | DIMENSION UNITS | SCALE | | |
| | mm | 4:1 | | |
| | GENERAL TOLERANCES (UNLESS SPECIFIED) | | | |
| DIVISIONAL SYMBOLS | ANGULAR TOL | ± 3.0° | EC NO: 643941 | |
| | 4 PLACES | ± | DRWN: XLDONG03 | 2020/08/21 |
| | 3 PLACES | ± | CHK'D: JDENG02 | 2020/08/26 |
| | 2 PLACES | ± 0.1 | APPR: JDENG02 | 2020/08/26 |
| INITIAL REVISION: | | | | |
| 1 PLACE | ± 0.2 | DRWN: SVERZYL | 2008/06/17 | |
| 0 PLACES | ± | APPR: VKOSHY | 2010/11/04 | |
| DRAFT WHERE APPLICABLE MUST REMAIN WITHIN DIMENSIONS | | THIRD ANGLE PROJECTION | DRAWING | SHEET NUMBER |
| | | | D-SIZE | 33471 |
| DOCUMENT STATUS | | P1 | RELEASE DATE | 2020/08/26 07:23:54 |
| | | | | |

molex

MX150 1X2 RECEPTACLE
SEALED ASSEMBLY MAT SEAL

PRODUCT CUSTOMER DRAWING

| | | | |
|-----------------|----------|----------|----------|
| DOCUMENT NUMBER | DOC TYPE | DOC PART | REVISION |
| SD-33471-021 | PSD | 001 | C12 |

| | | |
|-----------------|----------------|--------------|
| MATERIAL NUMBER | CUSTOMER | SHEET NUMBER |
| SEE BOM | GENERAL MARKET | 3 OF 7 |

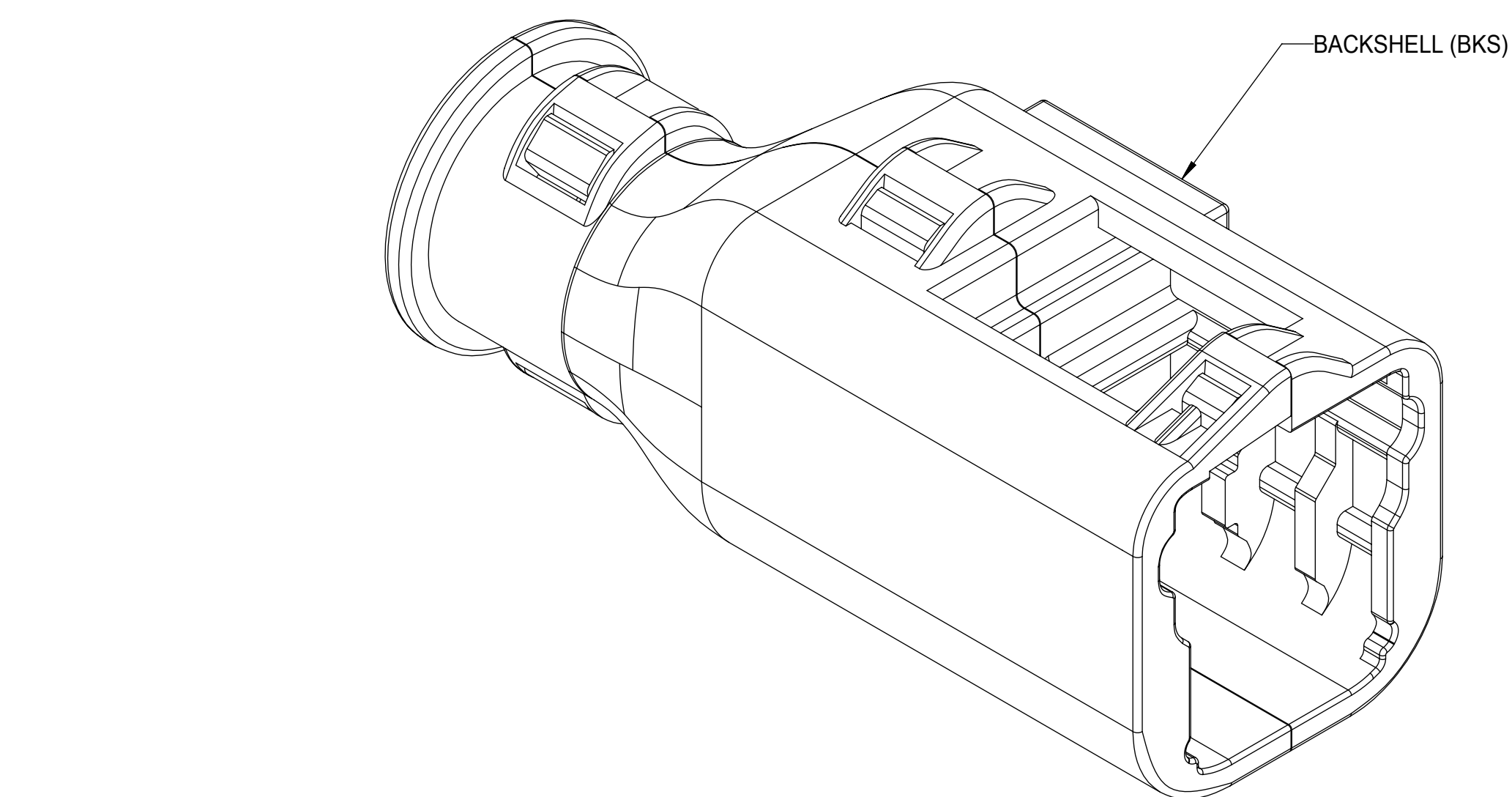
BACKSHELL NOTES

BACKSHELL NOTES VALID UNLESS OTHERWISE SPECIFIED

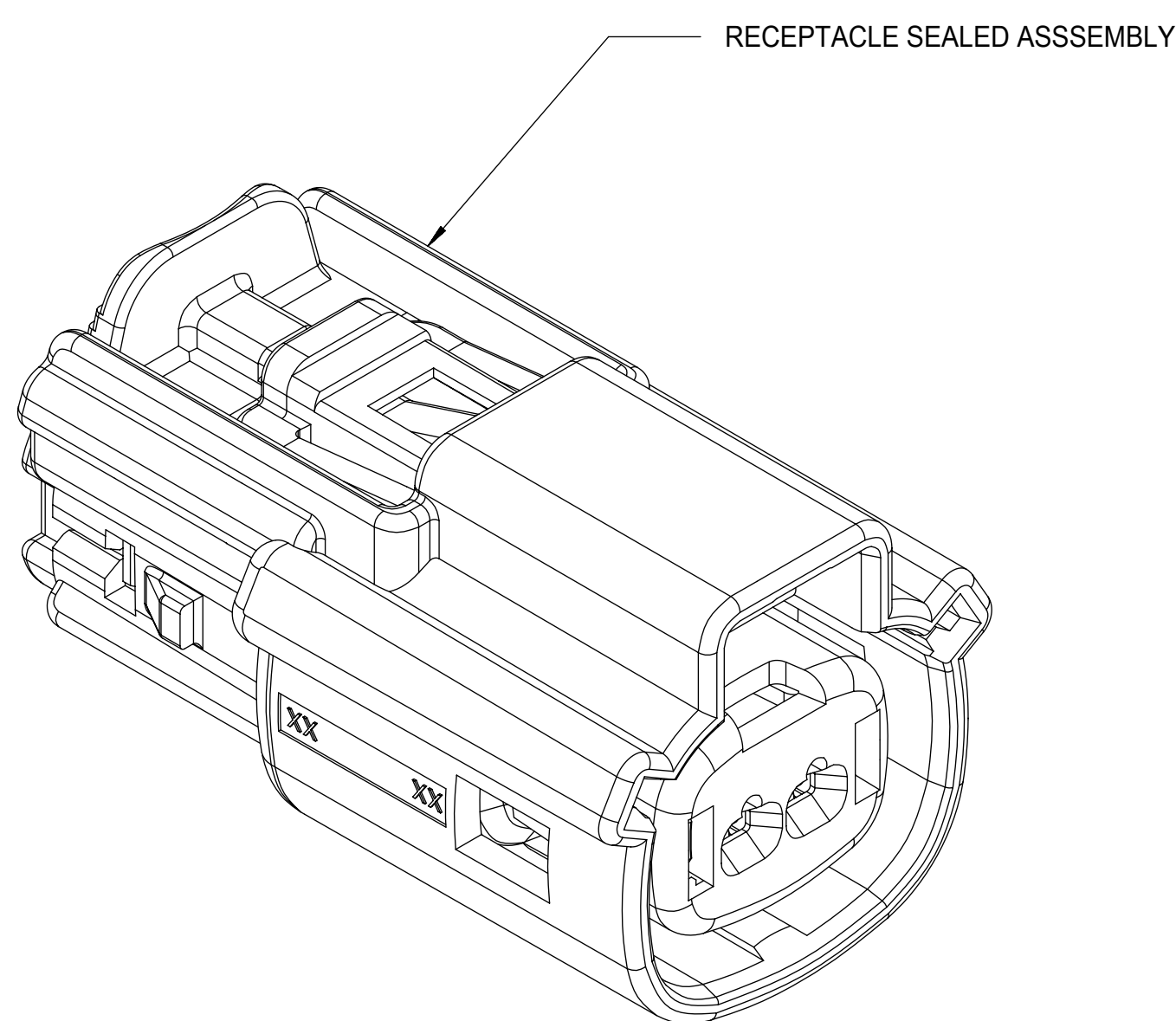
1.GENERAL:

a. APPLICATION SPECIFICATION SEE: AS-34951-001

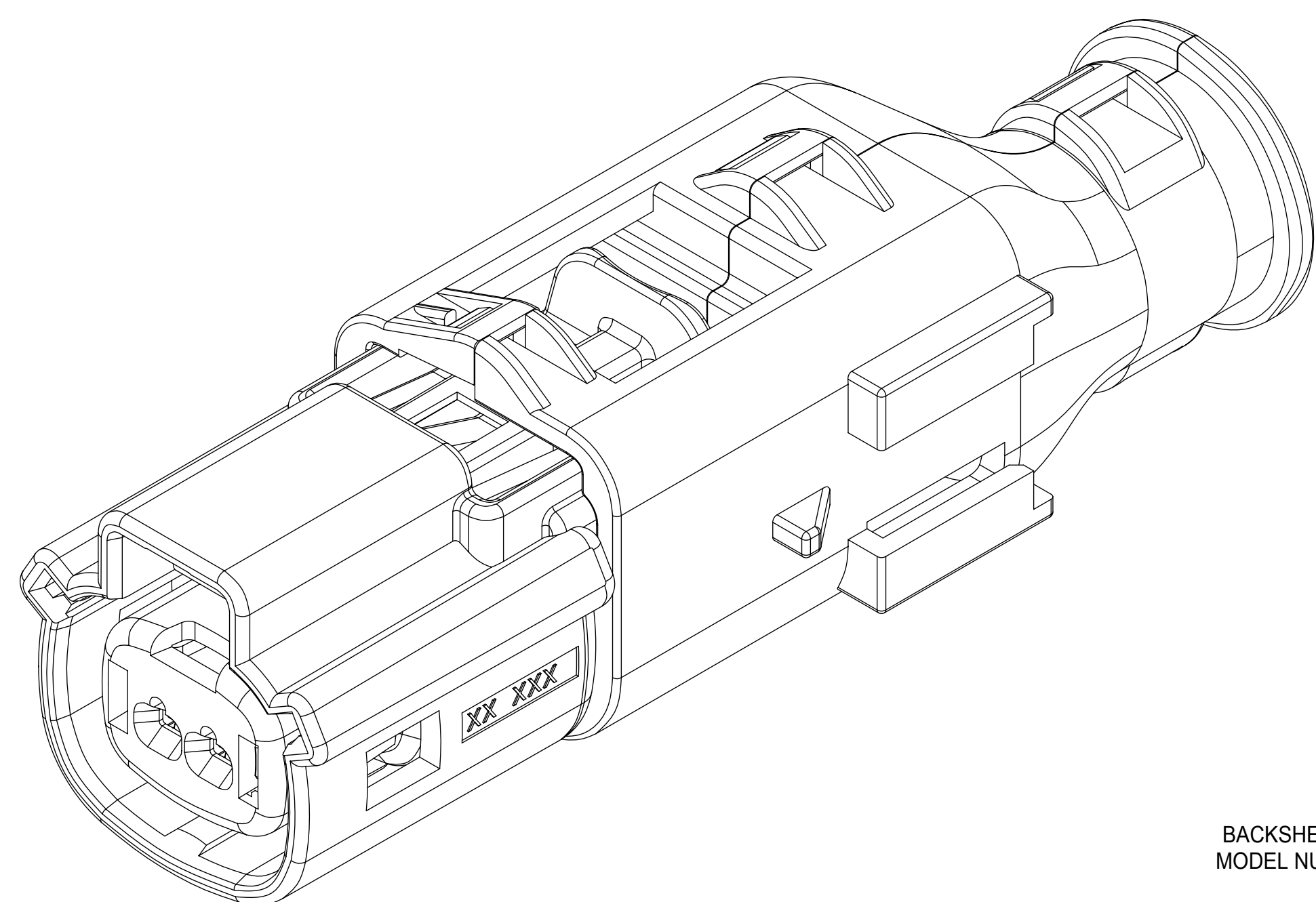
- DESIGNED TO MATE WITH RECEPTACLE SEALED ASSEMBLY SPECIFIED IN MOLEX DRAWING SD-33471-021.
- SYSTEM TO BE USED WITH WIRE WITHIN DIAMETER RANGE OF 1.2mm TO 2.69mm.
- COMPONENTS ARE OPTIONAL AND MUST BE PURCHASED SEPERATELY.
- BACKSHELL DESIGN IS OWNED BY SCHLEMMER.
- FOR ADDITIONAL INFORMATION SEE THE BACKSHELL COMPONENT DRAWING SD-34949-0001.



BACKSHELL (BKS)



RECEPTACLE SEALED ASSEMBLY



BACKSHELL CUSTOMER MODEL NUMBER LEGEND

34949-XXXX

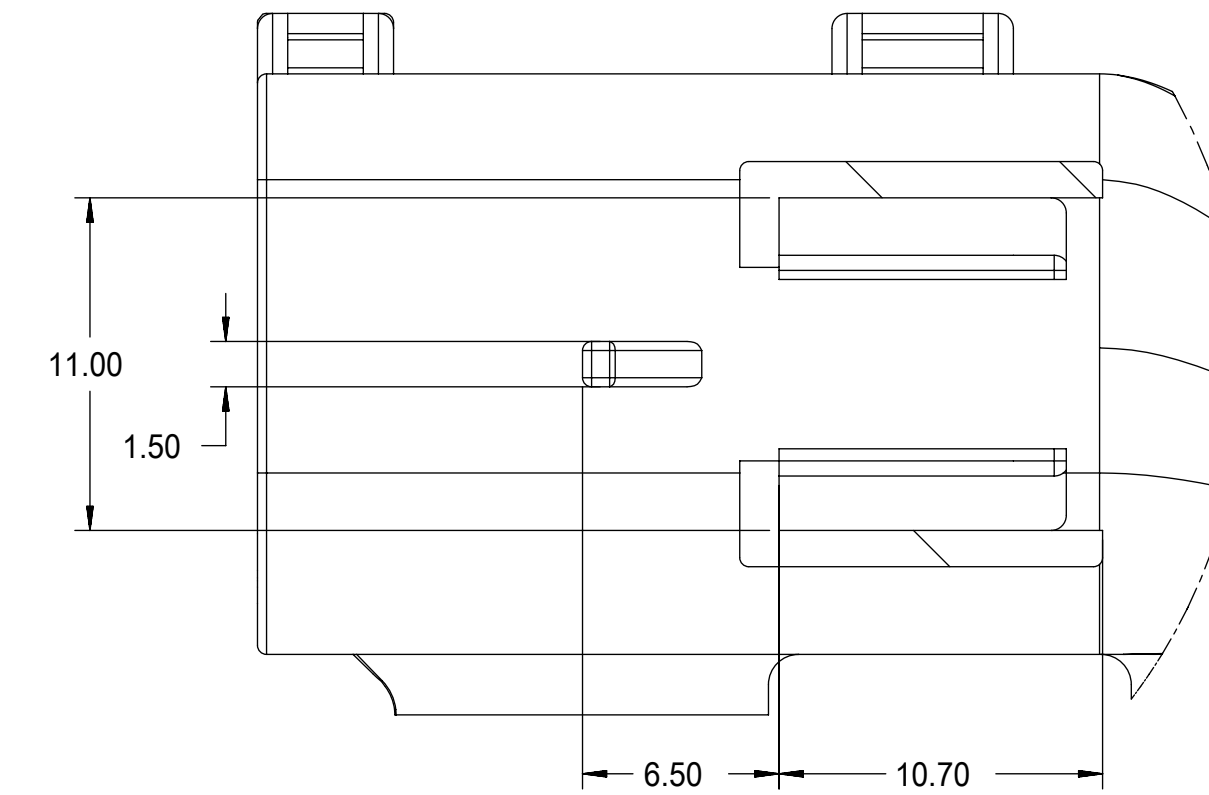
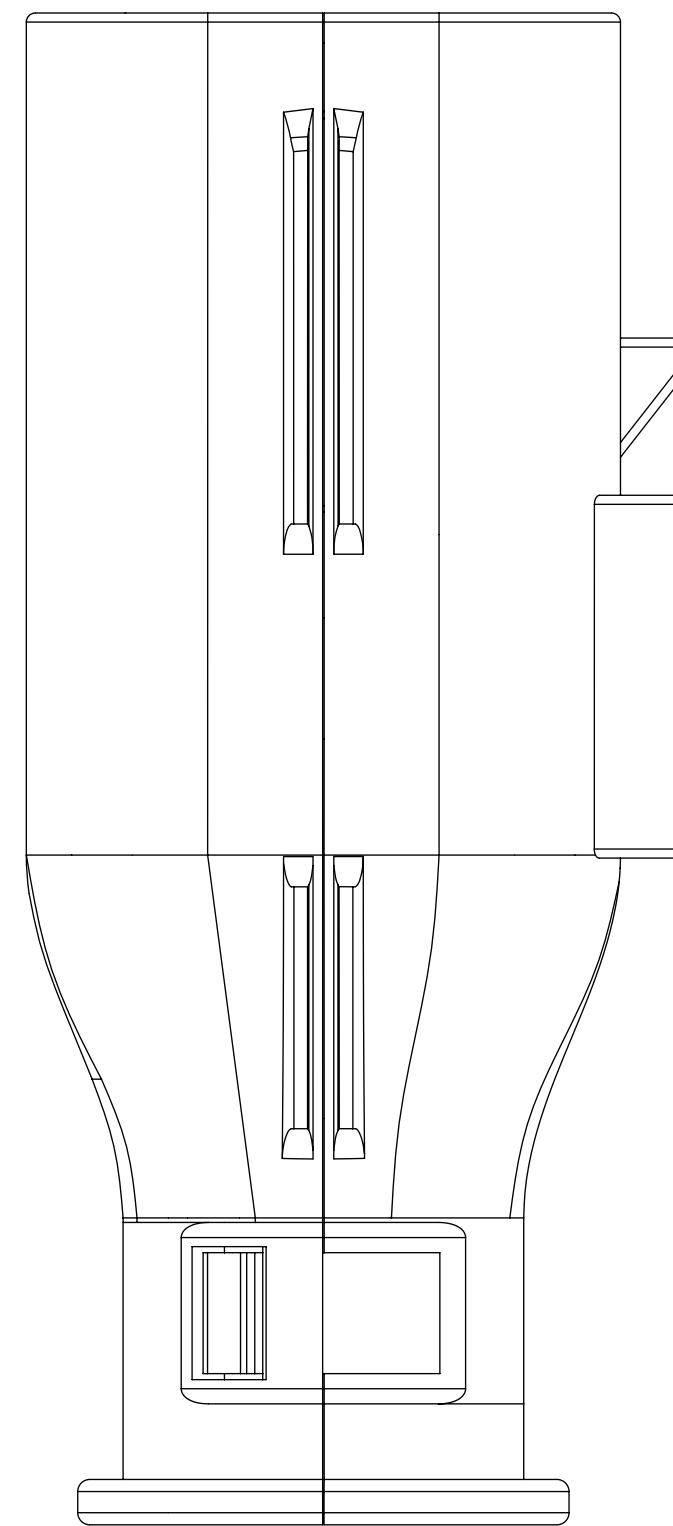
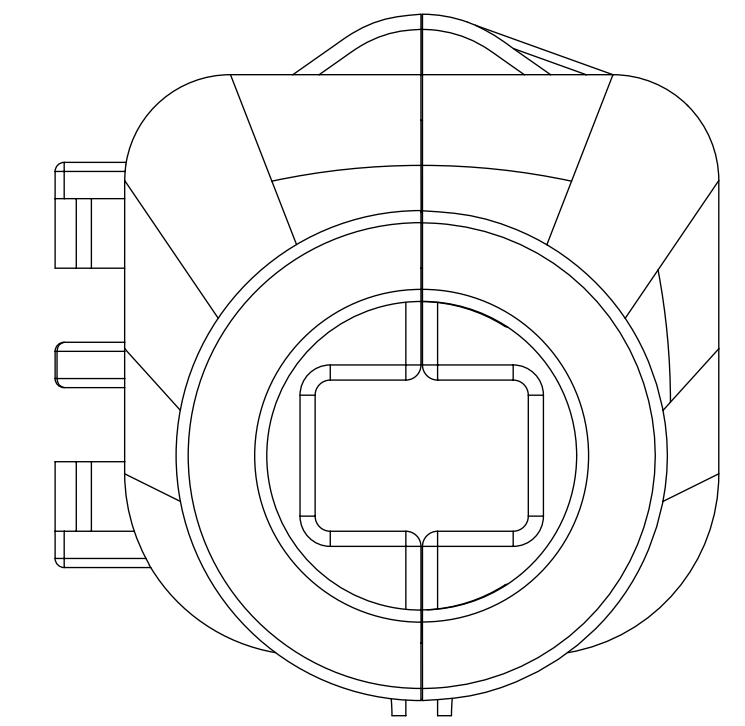
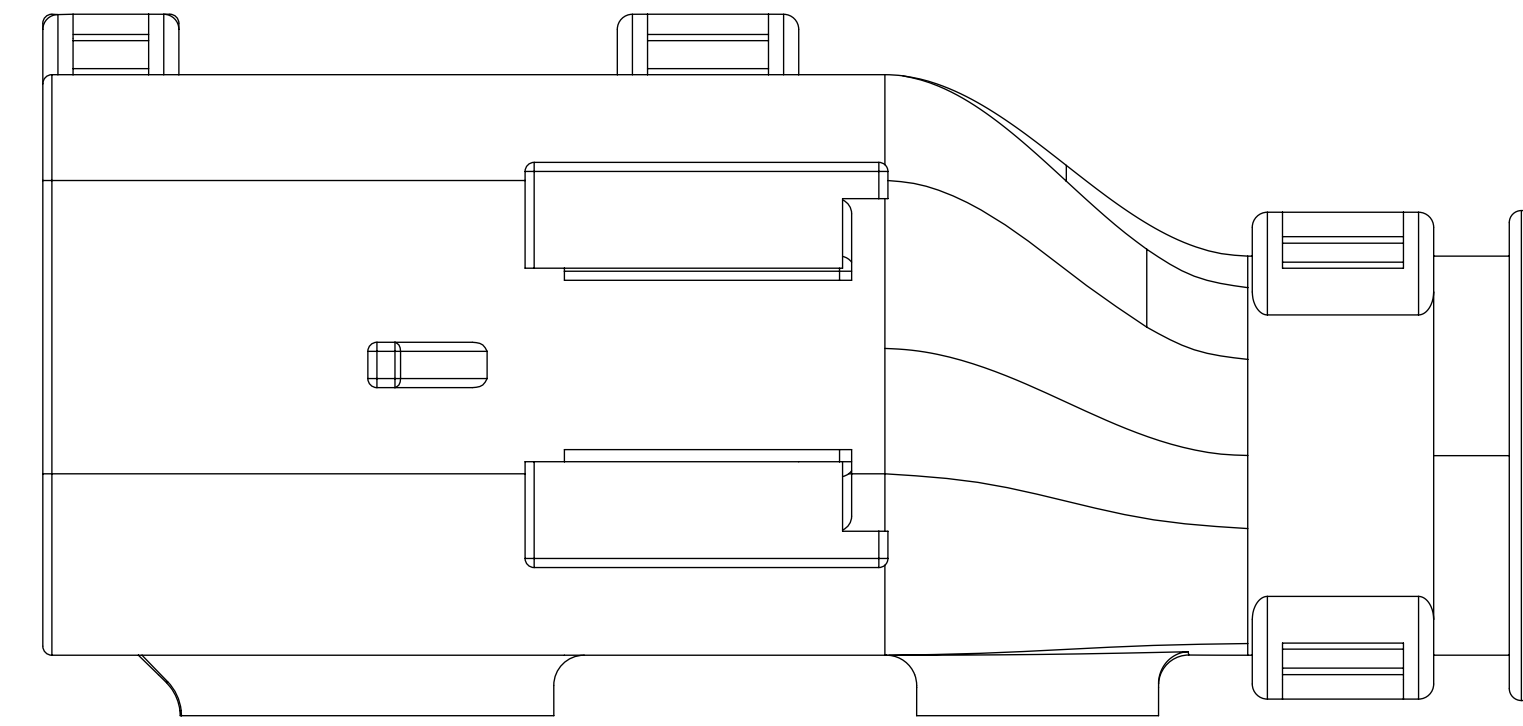
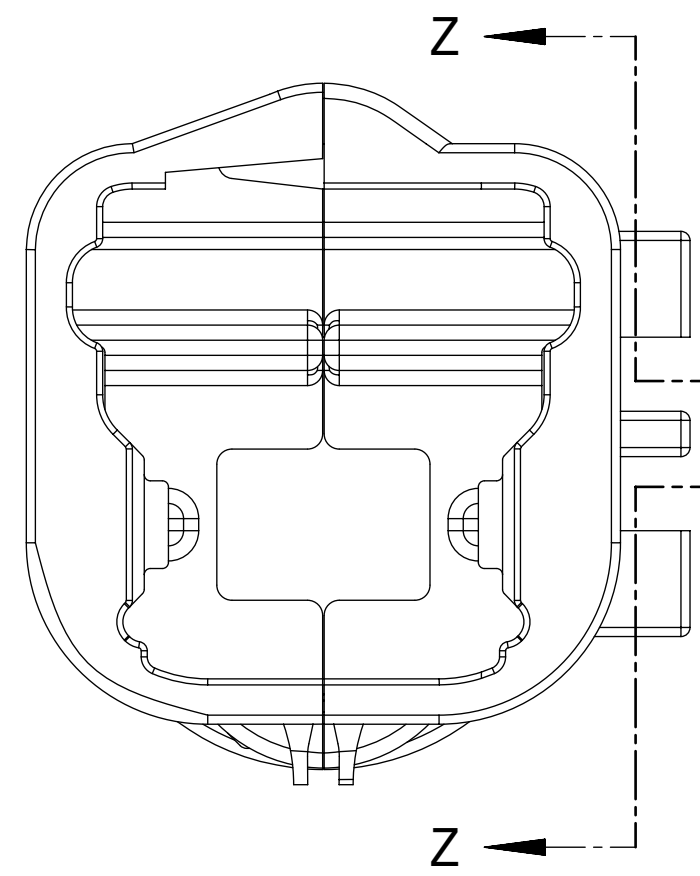
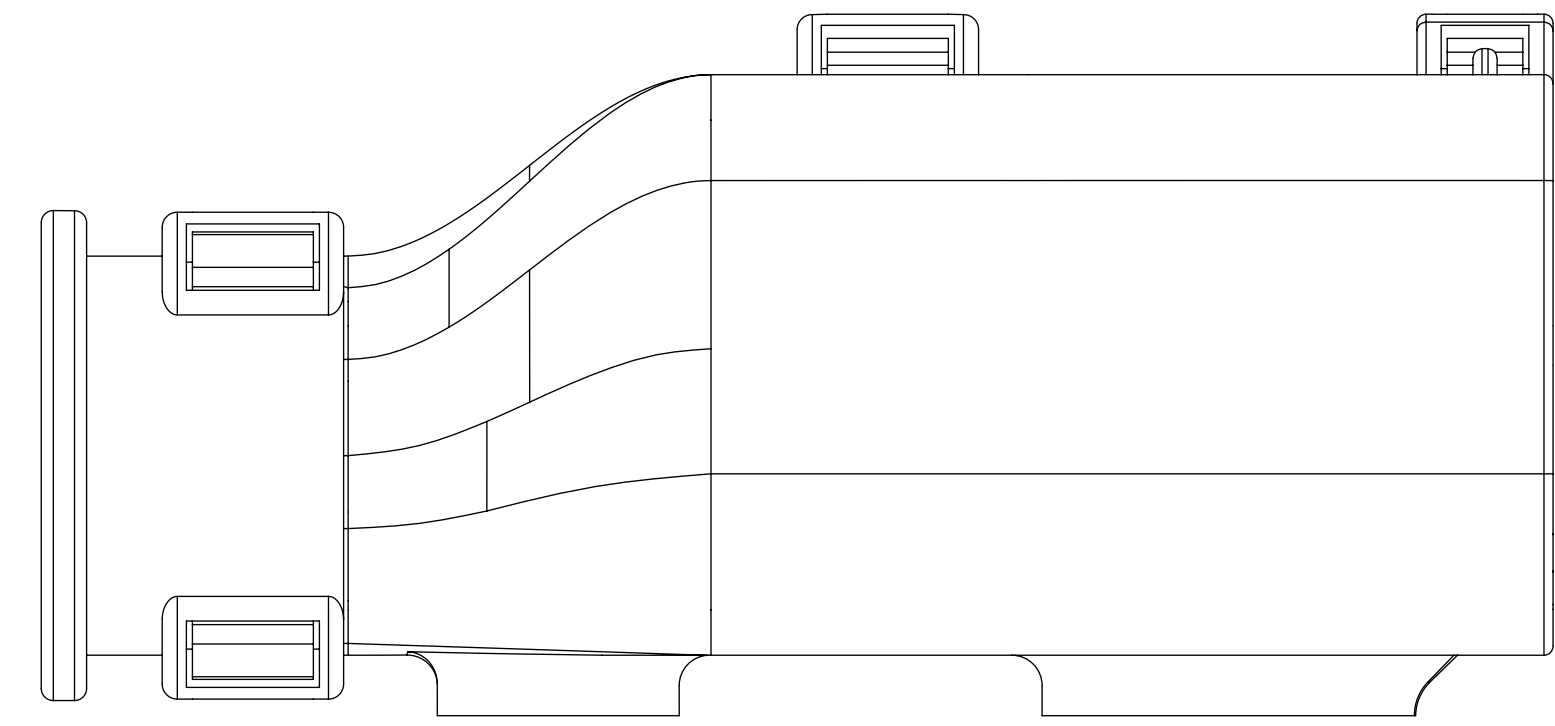
- CUSTOMER MODEL COMPONENTS
- 0 - BACKSHELL ONLY
 - 1 - BACKSHELL & MX150 HOUSING KEY A ASSEMBLY
 - 2 - BACKSHELL & MX150 HOUSING KEY B ASSEMBLY
 - 3 - BACKSHELL & MX150 HOUSING KEY C ASSEMBLY
 - 4 - BACKSHELL & MX150 HOUSING KEY D ASSEMBLY

- BACKSHELL FEATURES
- 1 - WITH RIBS
 - 2 - WITHOUT RIBS

MX150 CIRCUIT SIZE 02, 03, 04, 05, 06

| | | | | | |
|--|---|--|---------------------------|--------------------------|----------------|
| FUNCTIONAL SYMBOLS $\nabla_A = 0$ $\nabla_C = 0$ $\nabla_D = 0$ DIVISIONAL SYMBOLS | THIS DRAWING CONTAINS INFORMATION THAT IS PROPRIETARY TO MOLEX ELECTRONIC TECHNOLOGIES, LLC AND SHOULD NOT BE USED WITHOUT WRITTEN PERMISSION | | CURRENT REV DESC: | | |
| | DIMENSION UNITS | SCALE | EC NO: 643941 | | |
| | mm | 4:1 | DRWN: XLDONG03 2020/08/21 | | |
| | GENERAL TOLERANCES (UNLESS SPECIFIED) | | CHK'D: JDENG02 2020/08/26 | | |
| ANGULAR TOL $\pm 3.0^\circ$ | | APPR: JDENG02 2020/08/26 | | PRODUCT CUSTOMER DRAWING | |
| 4 PLACES \pm | | INITIAL REVISION: | | DOCUMENT NUMBER | DOC TYPE |
| 3 PLACES \pm | | DRWN: SVERZYL 2008/06/17 | | SD-33471-021 | PSD |
| 2 PLACES ± 0.1 | | APPR: VKOSHY 2010/11/04 | | 001 | C12 |
| 1 PLACE ± 0.2 | | DRAFT WHERE APPLICABLE MUST REMAIN WITHIN DIMENSIONS | | SEE BOM | GENERAL MARKET |
| 0 PLACES \pm | | THIRD ANGLE PROJECTION | DRAWING | SERIES | SHEET NUMBER |
| | | | D-SIZE | 33471 | 4 OF 7 |

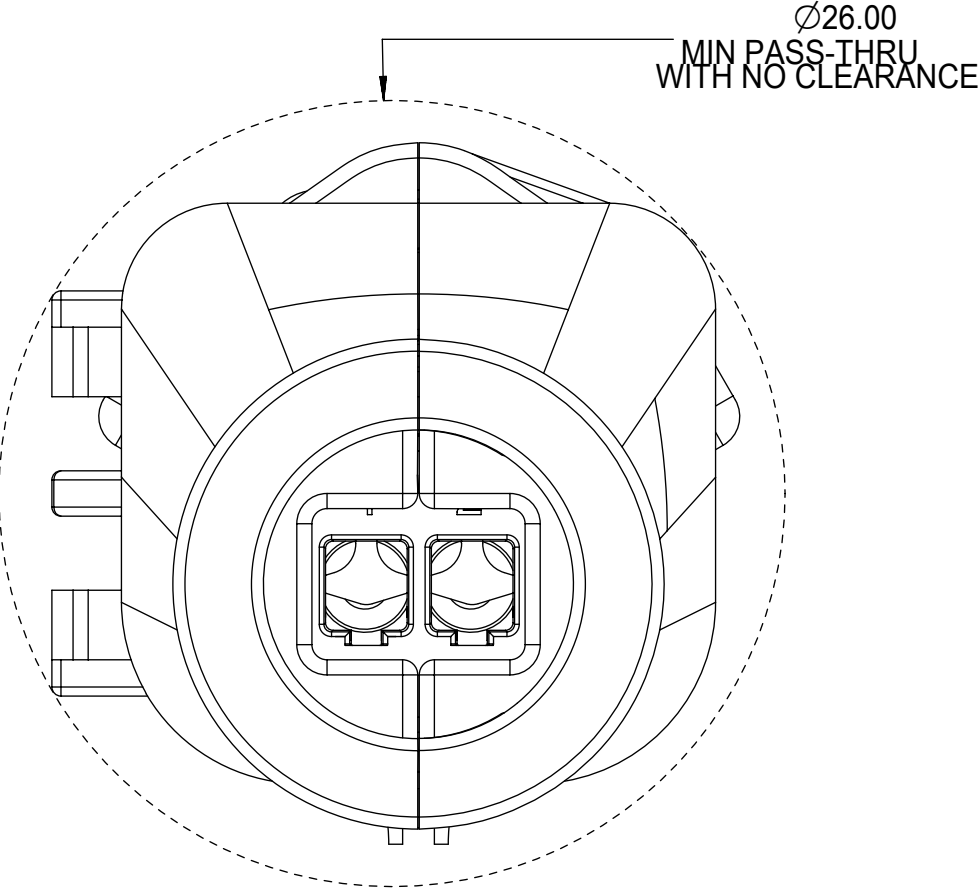
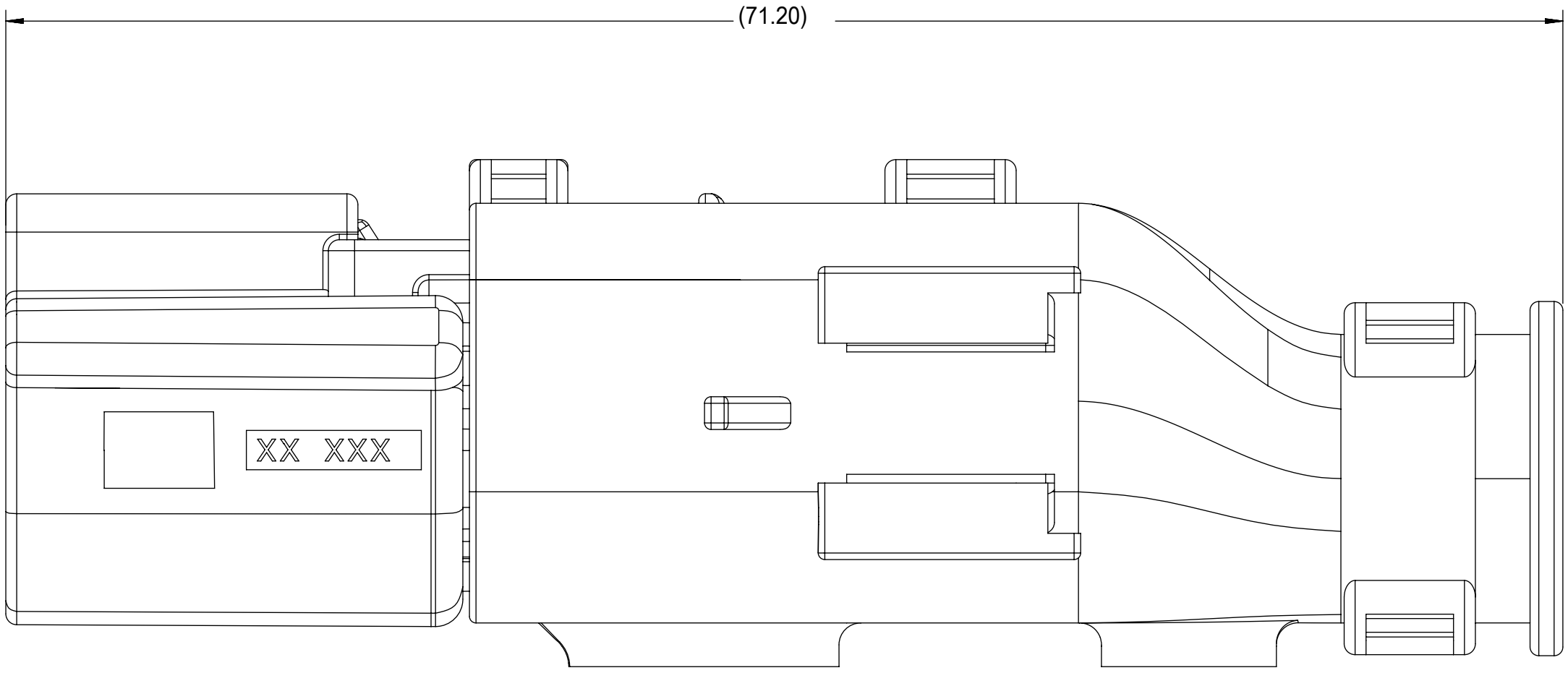
BACKSHELL
 THE VIEWS ON THIS SHEET ARE
 IN THE CLOSED UN-ASSEMBLED POSITION



Partial Z-Z
 SCALE 4:1

| | | | | | | | | |
|--|---|---------------------|---|--|--|----------------------------|-----------------|---|
| FUNCTIONAL SYMBOLS $F_A = 0$ $F_C = 0$ $F_D = 0$ | THIS DRAWING CONTAINS INFORMATION THAT IS PROPRIETARY TO MOLEX ELECTRONIC TECHNOLOGIES, LLC AND SHOULD NOT BE USED WITHOUT WRITTEN PERMISSION | | CURRENT REV DESC: EC NO: 643941 DRWN: XLDONG03 2020/08/21 CHK'D: JDENG02 2020/08/26 APPR: JDENG02 2020/08/26 | | | | | |
| | DIMENSION UNITS mm | SCALE 4:1 | | | | | | GENERAL TOLERANCES (UNLESS SPECIFIED) ANGULAR TOL $\pm 3.0^\circ$ |
| DIVISIONAL SYMBOLS | 4 PLACES | \pm | DRWN: SVERZYL 2008/06/17 APPR: VKOSHY 2010/11/04 | | DOCUMENT NUMBER SD-33471-021 | DOC TYPE PSD | DOC PART 001 | REVISION C12 |
| | 3 PLACES | \pm | INITIAL REVISION: DRWN: SVERZYL 2008/06/17 APPR: VKOSHY 2010/11/04 | | PRODUCT CUSTOMER DRAWING | | | |
| | 2 PLACES | ± 0.1 | DRAFT WHERE APPLICABLE MUST REMAIN WITHIN DIMENSIONS | | MATERIAL NUMBER SEE BOM | CUSTOMER GENERAL MARKET | | SHEET NUMBER 5 OF 7 |
| | 1 PLACE | ± 0.2 | THIRD ANGLE PROJECTION | | DRAWING D-SIZE | SERIES 33471 | | |

BACKSHELL CONFIGURATIONS



RECEPTACLE SEALED ASSEMBLY WITH RECEPTACLE BACKSHELL

| | | | | | | | | |
|---|---|---------------------|---|-------------------|---------------------|---|----------------|--------------|
| FUNCTIONAL SYMBOLS $\nabla_A = 0$ $\nabla_C = 0$ $\nabla_P = 0$ | THIS DRAWING CONTAINS INFORMATION THAT IS PROPRIETARY TO MOLEX ELECTRONIC TECHNOLOGIES, LLC AND SHOULD NOT BE USED WITHOUT WRITTEN PERMISSION | | CURRENT REV DESC: | | | | | |
| | DIMENSION UNITS mm | SCALE 4:1 | EC NO: 643941 DRWN: XLDONG03 2020/08/21 CHK'D: JDENG02 2020/08/26 APPR: JDENG02 2020/08/26 | | | MX150 1X2 RECEPTACLE SEALED ASSEMBLY MAT SEAL | | |
| DIVISIONAL SYMBOLS | GENERAL TOLERANCES (UNLESS SPECIFIED) | | INITIAL REVISION: | | DOCUMENT NUMBER | DOC TYPE | DOC PART | REVISION |
| | ANGULAR TOL $\pm 3.0^\circ$ | | DRWN: SVERZYL 2008/06/17 APPR: VKOSHY 2010/11/04 | | SD-33471-021 | PSD | 001 | C12 |
| | 4 PLACES \pm | 3 PLACES \pm | 2 PLACES ± 0.1 | 1 PLACE ± 0.2 | 0 PLACES \pm | SEE BOM | GENERAL MARKET | SHEET NUMBER |
| | DRAFT WHERE APPLICABLE MUST REMAIN WITHIN DIMENSIONS | | THIRD ANGLE PROJECTION | DRAWING | SERIES | MATERIAL NUMBER | CUSTOMER | SHEET NUMBER |
| DOCUMENT STATUS P1 RELEASE DATE 2020/08/26 07:23:54 | | | D-SIZE | 33471 | SEE BOM | GENERAL MARKET | 6 OF 7 | |

| | | | | | | | | | | | | | | | | |
|-----|-------------------------|----------------------|---|---|---|---|-----|-----|-----|-----|---|----------|--------|------------|---------------------|------------------------|
| C11 | KEY A W/CPA, BLACK | 33471-0224 | A | | | | | GCP | CPA | | 2 | SALEABLE | | 34949-0210 | 34949-0220 | |
| | KEY A W/CPA, YELLOW | 33471-0223 | | | | A | GCO | | CPA | | | SALEABLE | | 34949-0210 | 34949-0220 | |
| | KEY A, BLACK | 33471-0222 | A | | | | | GCP | | | 2 | SALEABLE | | 34949-0210 | 34949-0220 | |
| | KEY A, BLACK | 33471-0221 | A | | | | | GCP | | 1 | 2 | SALEABLE | | 34949-0210 | 34949-0220 | |
| | KEY D W/CPA, STONE GRAY | 33471-0217 | | | | D | | GCP | CPA | 1 | | SALEABLE | | 34949-0210 | 34949-0220 | |
| | KEY C W/CPA, DARK GRAY | 33471-0216 | | | | C | | GCP | CPA | 1 | | SALEABLE | | 34949-0210 | 34949-0220 | |
| | KEY B W/CPA, LIGHT GRAY | 33471-0215 | | | | B | | GCP | CPA | 1 | | SALEABLE | | 34949-0210 | 34949-0220 | |
| | KEY A W/CPA, BLACK | 33471-0214 | A | | | | | GCP | CPA | 1 | | SALEABLE | | 34949-0210 | 34949-0220 | |
| | KEY D, STONE GRAY | 33471-0213 | | | | D | | GCP | | 1 | | SALEABLE | | 34949-0210 | 34949-0220 | |
| | KEY C, DARK GRAY | 33471-0212 | | | | C | | GCP | | 1 | | SALEABLE | | 34949-0210 | 34949-0220 | |
| | KEY B, LIGHT GRAY | 33471-0211 | | | | B | | GCP | | 1 | | SALEABLE | | 34949-0210 | 34949-0220 | |
| | KEY A, BLACK | 33471-0210 | A | | | | | GCP | | 1 | | SALEABLE | | 34949-0210 | 34949-0220 | |
| | KEY D W/CPA, STONE GRAY | 33471-0209 | | | | D | GCO | | CPA | | | SALEABLE | | 34949-0210 | 34949-0220 | |
| | KEY C W/CPA, DARK GRAY | 33471-0208 | | | | C | GCO | | CPA | | | SALEABLE | | 34949-0210 | 34949-0220 | |
| | KEY B W/CPA, LIGHT GRAY | 33471-0207 | | | | B | GCO | | CPA | | | SALEABLE | | 34949-0210 | 34949-0220 | |
| | KEY A W/CPA, BLACK | 33471-0206 | A | | | | GCO | | CPA | | | SALEABLE | | 34949-0210 | 34949-0220 | |
| | KEY D, STONE GRAY | 33471-0204 | | | | D | GCO | | | | | SALEABLE | | 34949-0210 | 34949-0220 | |
| | KEY C, DARK GRAY | 33471-0203 | | | | C | GCO | | | | | SALEABLE | | 34949-0210 | 34949-0220 | |
| | KEY B, LIGHT GRAY | 33471-0202 | | | | B | GCO | | | | | SALEABLE | | 34949-0210 | 34949-0220 | |
| | KEY A, BLACK | 33471-0201 | A | | | | GCO | | | | | SALEABLE | | 34949-0210 | 34949-0220 | |
| | ASSEMBLY DESCRIPTION | ASSEMBLY PART NUMBER | A | B | C | D | A | GCO | GCP | CPA | 1 | 2 | STATUS | COMMENTS | BACKSHELL WITH RIBS | BACKSHELL WITHOUT RIBS |


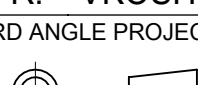
CAVITY WITH A NUMBER INDICATES BLOCKED TERMINAL POSITION
 CAVITY WITHOUT A NUMBER INDICATES OPEN TERMINAL POSITION

OPTIONAL ATTATCHMENTS
 SOLD SEPERATLEY

| | | |
|-------------------------|------------|--------------------------------|
| MAT SEAL | ROYAL BLUE | INHERENTLY LUBRICATED SILICONE |
| RING SEAL | LIGHT BLUE | INHERENTLY LUBRICATED SILICONE |
| PLR | NATURAL | SPS/NYLON GF20 |
| CPA | RED | PBT GF20 |
| GROMMET CAP (PLUGGED) | BLACK | SPS/NYLON GF20 |
| GROMMET CAP (OPEN) | BLACK | SPS/NYLON GF20 |
| HOUSING KEYING OPTION A | YELLOW | SPS/NYLON GF20 |
| HOUSING KEYING OPTION D | STONE GRAY | SPS/NYLON GF20 |
| HOUSING KEYING OPTION C | DARK GRAY | SPS/NYLON GF20 |
| HOUSING KEYING OPTION B | LIGHT GRAY | SPS/NYLON GF20 |
| HOUSING KEYING OPTION A | BLACK | SPS/NYLON GF20 |

| DESCRIPTION | COLOR | MATERIAL |
|---------------------------------|-------|----------|
| BOM/APPLICABLE COMPONENTS TABLE | | |

| ABREVIATION | COMPONENT |
|-------------|---------------------|
| A | HOUSING KEY A |
| B | HOUSING KEY B |
| C | HOUSING KEY C |
| D | HOUSING KEY D |
| GCO | GROMMET CAP, OPEN |
| GCP | GROMMET CAP, CLOSED |
| M | MAT SEAL |
| R | RING SEAL |
| P | PLR, STANDARD |
| CPA | CPA |
| BKS | BACKSHELL |

| | | | | | | |
|---|---|---|---|---|--|---|
| FUNCTIONAL SYMBOLS $F_A = 0$ $F_C = 0$ $F_P = 0$ | THIS DRAWING CONTAINS INFORMATION THAT IS PROPRIETARY TO MOLEX ELECTRONIC TECHNOLOGIES, LLC AND SHOULD NOT BE USED WITHOUT WRITTEN PERMISSION | DIMENSION UNITS: mm SCALE: | CURRENT REV DESC: |  MX150 1X2 RECEPTACLE SEALED ASSEMBLY MAT SEAL PRODUCT CUSTOMER DRAWING | | |
| | GENERAL TOLERANCES (UNLESS SPECIFIED) ANGULAR TOL $\pm 3.0^\circ$ | EC NO: 643941 DRWN: XLDONG03 2020/08/21 CHK'D: JDENG02 2020/08/26 APPR: JDENG02 2020/08/26 | 4 PLACES \pm 3 PLACES \pm 2 PLACES ± 0.1 1 PLACE ± 0.2 0 PLACES \pm | | INITIAL REVISION: DRWN: SVERZYL 2008/06/17 APPR: VKOSHY 2010/11/04 | DOCUMENT NUMBER: SD-33471-021 DOC TYPE: PSD DOC PART: 001 REVISION: C12 |
| | DIVISIONAL SYMBOLS | DRAFT WHERE APPLICABLE MUST REMAIN WITHIN DIMENSIONS | THIRD ANGLE PROJECTION  | | DRAWING: D-SIZE SERIES: 33471 | MATERIAL NUMBER: SEE BOM CUSTOMER: GENERAL MARKET SHEET NUMBER: 7 OF 7 |
| | DOCUMENT STATUS: P1 RELEASE DATE: 2020/08/26 07:23:54 | | | | | |