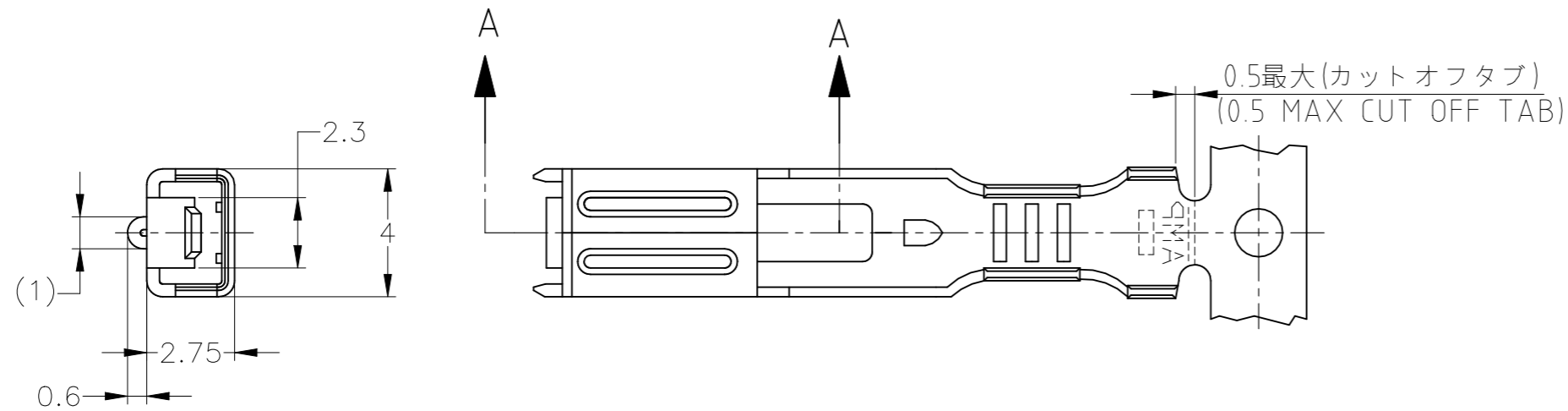
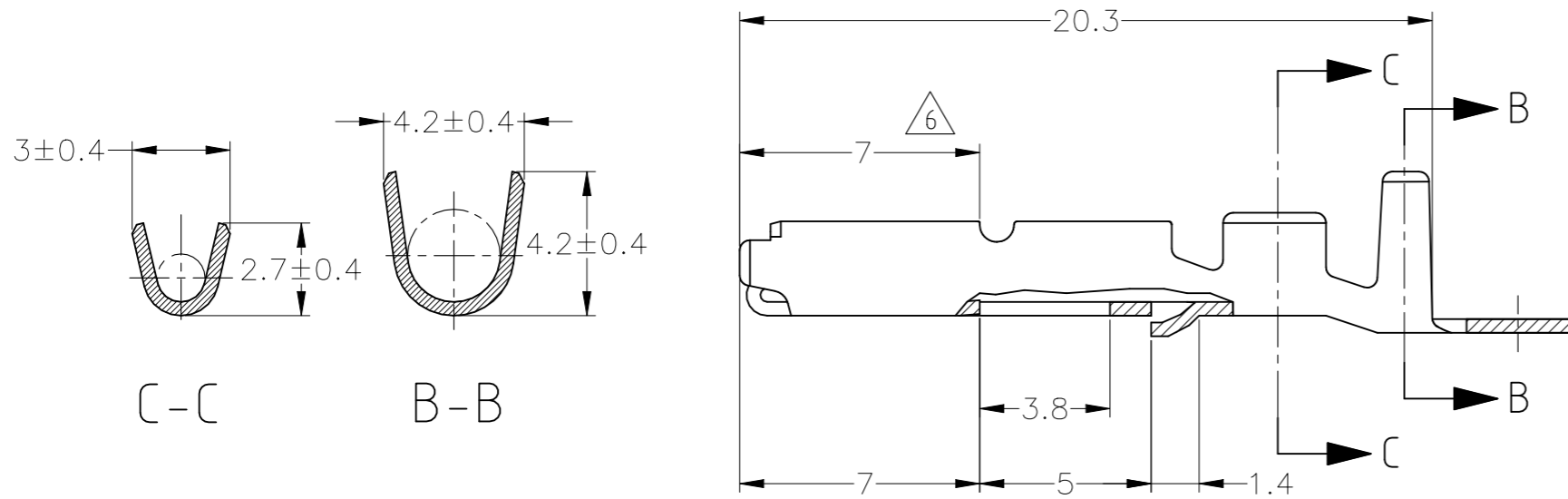


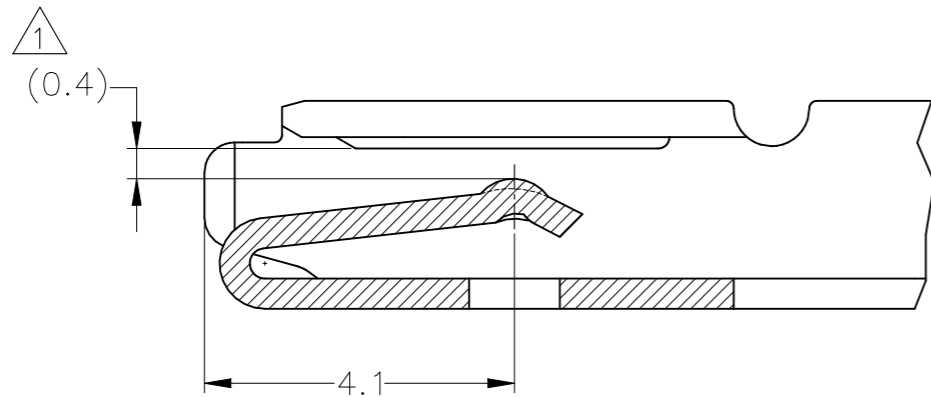
P	LTR	DESCRIPTION	DATE	DWN	APVD
	F3	REVISED ECR-22-153250	14OCT2022	RK	MT



- △ 0.65t タブと嵌合
- 2. 嵌合相手タブ型番 172779, 172780
- 3. 製品規格 No.108-5165,5166
- 4. 取付適用規格 No.114-5071
- 5. 相手ハウジング型番 172500 他
- △ 逆巻きリール



- △ MATE WITH 0.65t TAB.
- 2. MATE TAB P/N 172779,172780.
- 3. PRODUCT SPEC. No.108-5165,5166
- 4. APPLICATION SPEC. No.114-5071.
- 5. PLUG HSG P/N 172500 ETC.
- △ REVERSE REEL.



A-A
SCALE 10: 1

	172776-6	部分金メッキ SELECTIVE GOLD △	燐青銅 PHOS-BRO	172775-6	7
	172776-5	錫メッキ済 PRE-TIN	KLF-5	△1-172775-5	6
OBSOLETE	172776-1	錫メッキ済 PRE-TIN	黄銅 BRASS	△1-172775-1	5
OBSOLETE	172776-5	錫メッキ済 PRE-TIN	KLF-5	172775-5	4
OBSOLETE	172776-4	錫メッキ済 PRE-TIN	燐青銅 PHOS-BRO	172775-4	3
	SEE DRAWING 172775-2			172775-2	2
	172776-1	錫メッキ済 PRE-TIN	黄銅 BRASS	172775-1	1
	バラ状端子型番 L-P NO.	仕上 FINISH	材料 MATERIAL	型番 PART NUMBER	項番 ID

THIS DRAWING IS A CONTROLLED DOCUMENT.

DIMENSIONS:	TOLERANCES UNLESS OTHERWISE SPECIFIED:
mm	
	± -
	± -
	± -
	± -
	± -
ANGLES	± -
FINISH	± -

WIRE RANGE	INSULATION DIA	TOLERANCE UNLESS OTHERWISE SPECIFIED:
0.3-0.89 mm ² (AWG #22-#18)	1.5-2.6 mm DIA	一般公差
		0 < x ≤ 10 : ±0.2
		10 < x ≤ 30 : ±0.25
		30 < x ≤ 100 : ±0.3
		ANGLE : ±3°
		角度

MATERIAL	SEE TABLE
FINISH	SEE NOTE

DWN D.MATSUURA 08MAR16
CHK S.IWATANI 08MAR16
APVD T.KOHNO 08MAR16

STE TE Connectivity

RECEPTACLE CONTACT
MULTI INTER LOCK CONNECTOR
MARK II

SEE TABLE

SIZE A3 CAGE CODE 00779 DRAWING NO C-172775 RESTRICTED TO -

WEIGHT -

CUSTOMER DRAWING SCALE 5:1 SHEET 1 OF 1 REV F3

THIS DRAWING IS UNPUBLISHED.

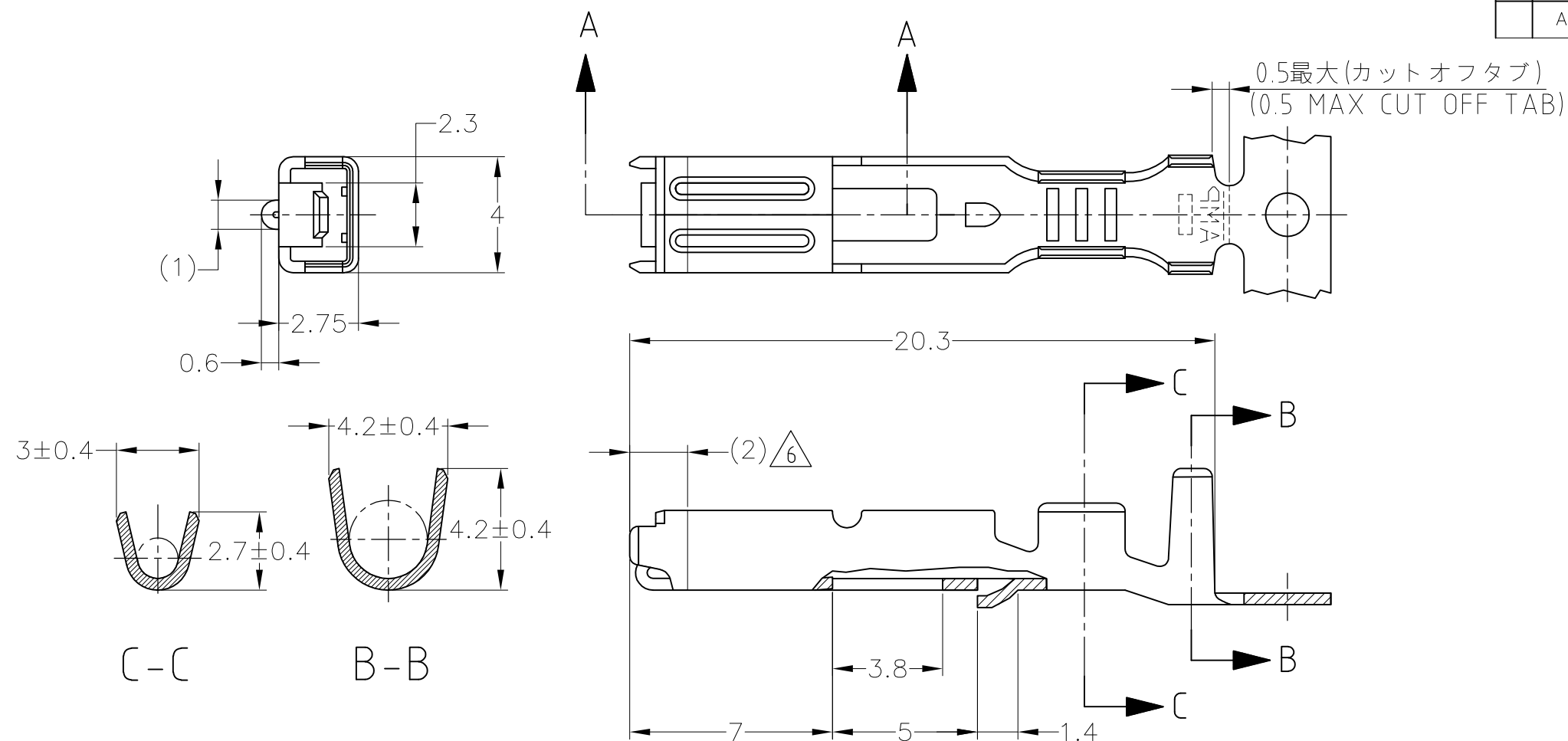
RELEASED FOR PUBLICATION APR ,2017.

REVISIONS

© COPYRIGHT 2017 Tyco Electronics Japan G.K.

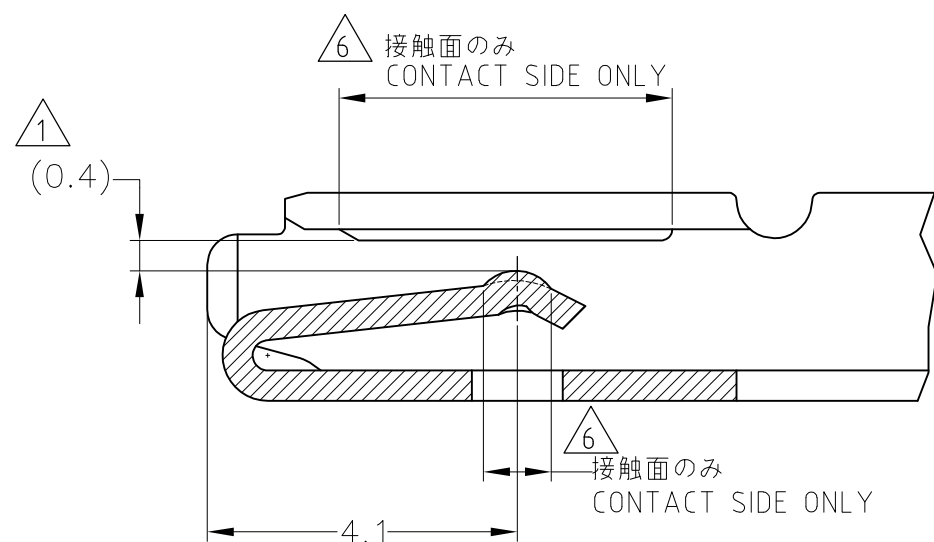
ALL RIGHTS RESERVED.

P	LTR	DESCRIPTION	DATE	DWN	APVD
	A	RELEASED	08MAR16	DM	TK



- △ 0.65t タブと嵌合
- 2. 嵌合相手タブ型番 172779, 172780
- 3. 製品規格 No.108-5165,5166
- 4. 取付適用規格 No.114-5071
- 5. 相手ハウジング型番 172500 他
- △ 部分金めっき

- △ MATE WITH 0.65t TAB.
- 2. MATE TAB P/N 172779,172780.
- 3. PRODUCT SPEC. No.108-5165,5166
- 4. APPLICATION SPEC. No.114-5071.
- 5. PLUG HSG P/N 172500 ETC.
- △ SELECTIVE GOLD PLATING



A-A SCALE 10: 1

WIRE RANGE	INSULATION DIA
0.3-0.89 mm ² (AWG #22-#18)	1.5-2.6 mm DIA

TOLERANCE UNLESS OTHERWISE SPECIFIED: 一般公差	
0 < x ≤ 10	: ±0.2
10 < x ≤ 30	: ±0.25
30 < x ≤ 100	: ±0.3
ANGLE ; 角度	: ±3°

THIS DRAWING IS A CONTROLLED DOCUMENT.

DIMENSIONS: mm	TOLERANCES UNLESS OTHERWISE SPECIFIED:
	0 PLC ± -
	1 PLC ± -
	2 PLC ± -
	3 PLC ± -
	4 PLC ± -
	ANGLES ± -
MATERIAL SEE TABLE	FINISH SEE TABLE

DWN	D.MATSUURA	08MAR16
CHK	S.IWATANI	08MAR16
APVD	T.KOHNO	08MAR16
PRODUCT SPEC	SEE NOTE	
APPLICATION SPEC	-	
WEIGHT	-	
CUSTOMER DRAWING		

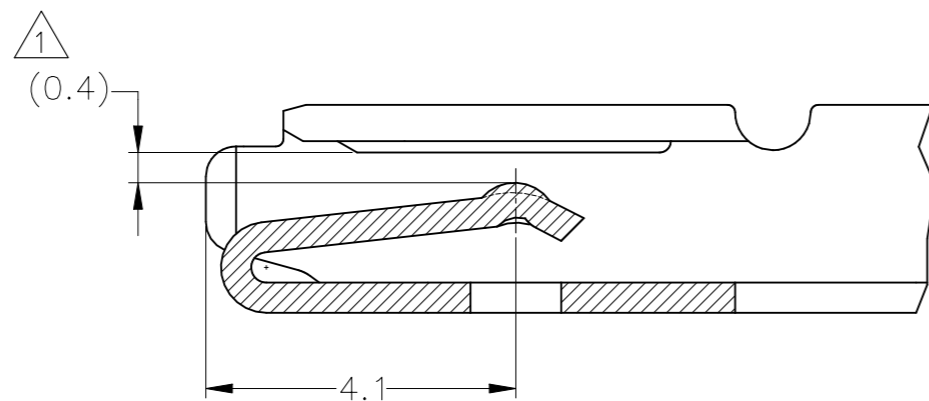
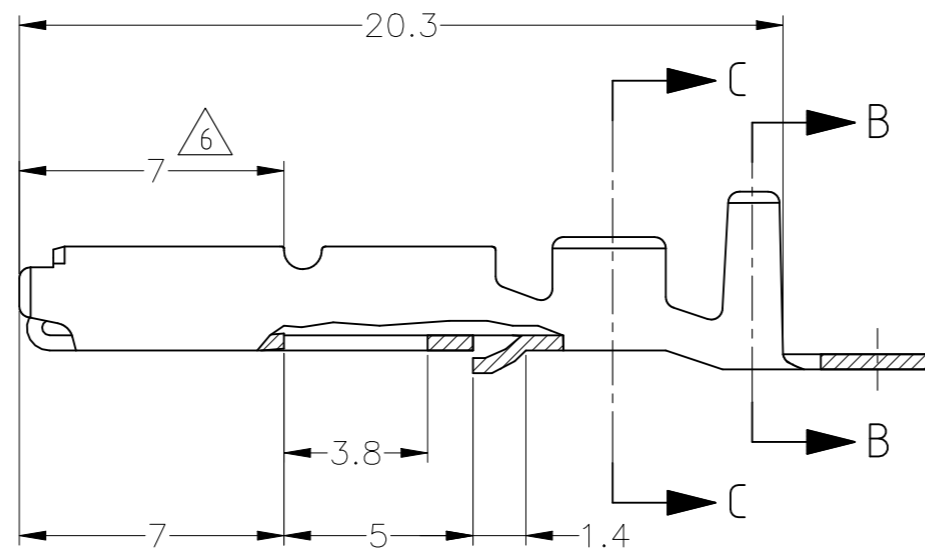
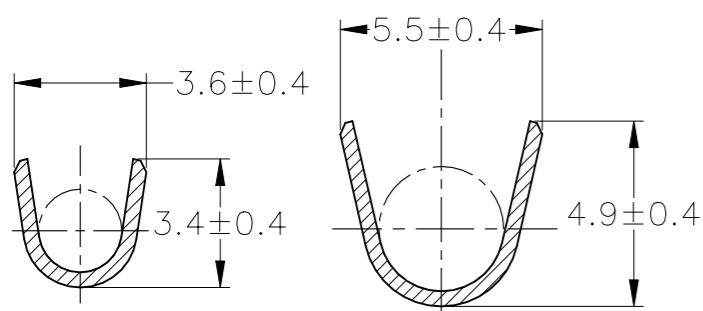
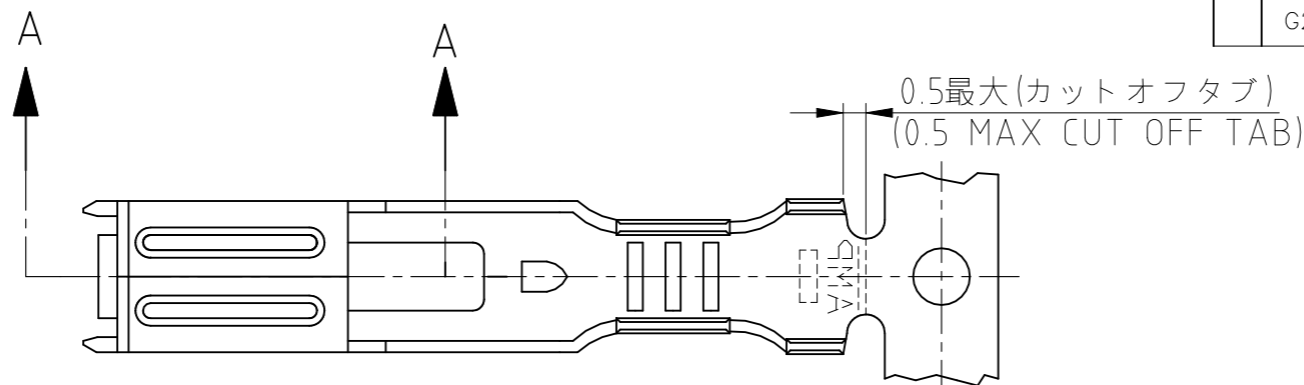
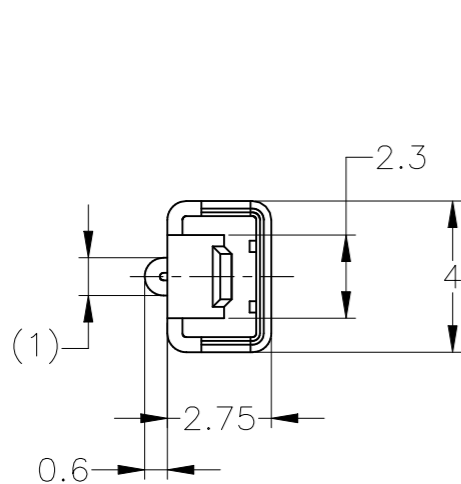
172776-2	部分金メッキ SELECTIVE GOLD △6	黄銅 BRASS	172775-2	1
バラ状端子型番 L-P NO.	仕上 FINISH	材料 MATERIAL	型番 PART NUMBER	項番 ID



RECEPTACLE CONTACT
MULTI INTER LOCK CONNECTOR
MARK II

SIZE	CAGE CODE	DRAWING NO	RESTRICTED TO
A3	00779	C-172775-2	-
SCALE 5:1		SHEET 1 OF 1	REV A

REVISIONS					
P	LTR	DESCRIPTION	DATE	DWN	APVD
	G2	REVISED PER ECR-22-153250	11NOV2022	RK	MT



A-A SCALE 10: 1

- △ 0.65t タブと嵌合
- 2. 嵌合相手タブ型番 172777, 172778
- 3. 製品規格 No.108-5165,5166
- 4. 取付適用規格 No.114-5071
- 5. 相手ハウジング型番 172500 他
- △ 逆巻きリール

- △ MATE WITH 0.65t TAB.
- 2. MATE TAB P/N 172777,172778.
- 3. PRODUCT SPEC. No.108-5165,5166
- 4. APPLICATION SPEC. No.114-5071.
- 5. PLUG HSG P/N 172500 ETC.
- △ REVERSE REEL.

172774-5	錫メッキ済 PRE-TIN	KLF-5	△1-172773-5	7
OBSOLETE	錫メッキ済 PRE-TIN	黄銅 BRASS	△1-172773-1	6
172774-6	部分金メッキ SELECTIVE GOLD △6	磷青銅 PHOS-BRO	172773-6	5
172774-5	錫メッキ済 PRE-TIN	KLF-5	172773-5	4
172774-4	錫メッキ済 PRE-TIN	磷青銅 PHOS-BRO	172773-4	3
SEE DRAWING 172773-2			172773-2	2
172774-1	錫メッキ済 PRE-TIN	黄銅 BRASS	172773-1	1
バラ状端子型番 L-P NO.	仕上 FINISH	材料 MATERIAL	型番 PART NUMBER	項番 ID

WIRE RANGE 0.5-2.27mm ² (AWG #22-#18)	INSULATION DIA 2.1-3.4 mm DIA
--	-------------------------------------

TOLERANCE UNLESS OTHERWISE SPECIFIED: 一般公差	
0 < x ≤ 10	±0.2
10 < x ≤ 30	±0.25
30 < x ≤ 100	±0.3
ANGLE ; 角度	±3°

THIS DRAWING IS A CONTROLLED DOCUMENT.	
DIMENSIONS: mm	TOLERANCES UNLESS OTHERWISE SPECIFIED:
	0 PLC ± -
	1 PLC ± -
	2 PLC ± -
	3 PLC ± -
	4 PLC ± -
	ANGLES ± -
MATERIAL SEE TABLE	FINISH SEE TABLE

DWN D.MATSUURA 08MAR16	TE Connectivity RECEPTACLE CONTACT MULTI INTER LOCK CONNECTOR MARK II			
CHK S.IWATANI 08MAR16				
APVD T.KOHNO 08MAR16				
PRODUCT SPEC SEE NOTE				
APPLICATION SPEC	SIZE A3	CAGE CODE 00779	DRAWING NO C-172773	RESTRICTED TO
WEIGHT	CUSTOMER DRAWING			SCALE 5:1
				SHEET 1 OF 1
				REV G2

THIS DRAWING IS UNPUBLISHED.

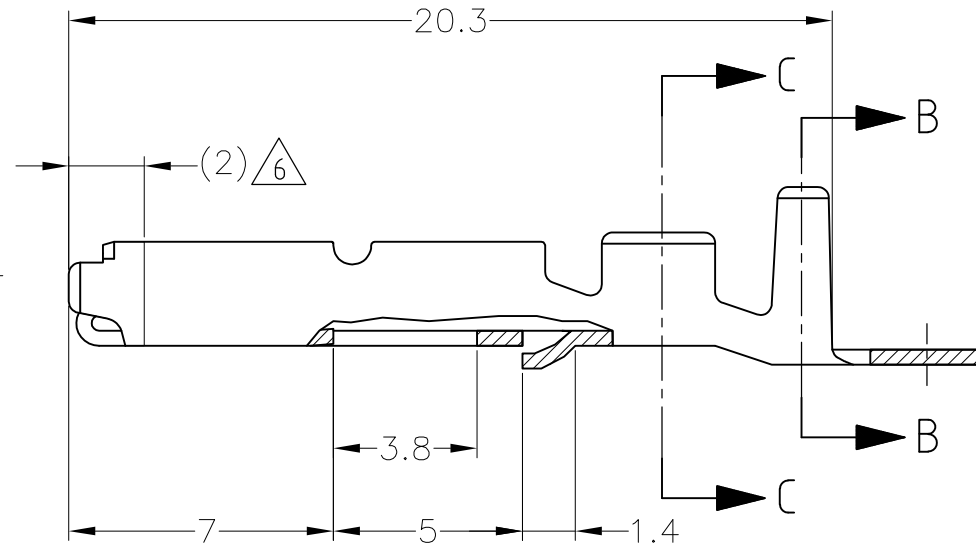
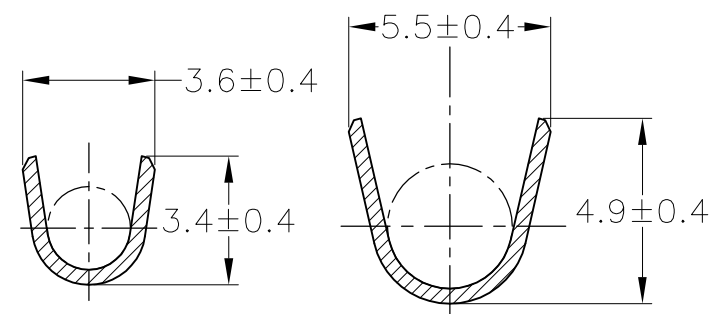
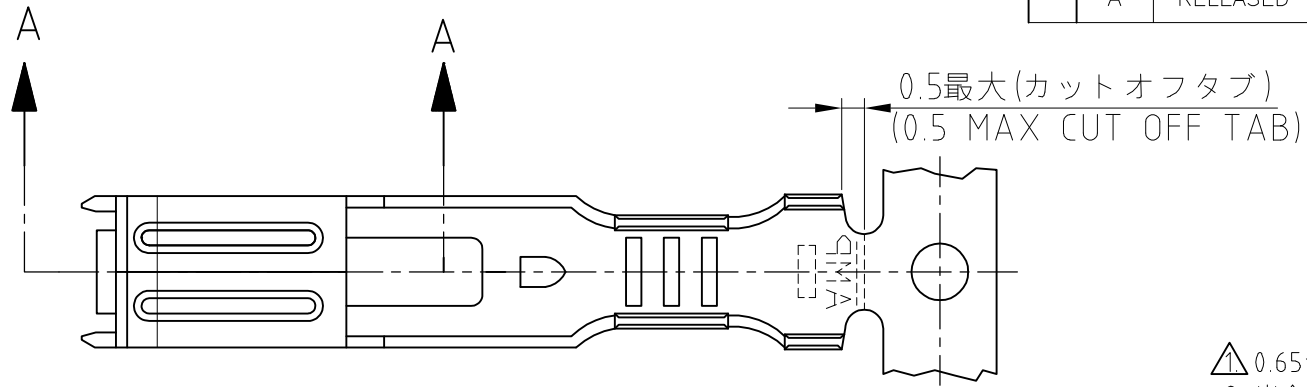
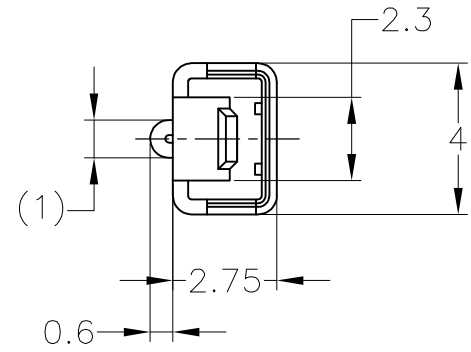
RELEASED FOR PUBLICATION APR , 2017.

REVISIONS

© COPYRIGHT 2017 Tyco Electronics Japan G.K.

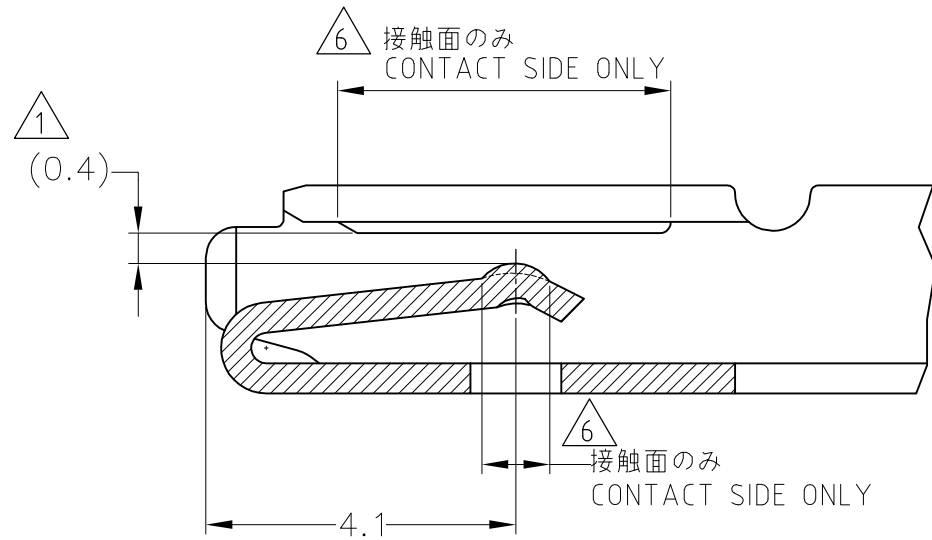
ALL RIGHTS RESERVED.

P	LTR	DESCRIPTION	DATE	DWN	APVD
	A	RELEASED	08MAR16	DM	TK



- △ 0.65t タブと嵌合
- 2. 嵌合相手タブ型番 172777, 172778
- 3. 製品規格 No.108-5165,5166
- 4. 取付適用規格 No.114-5071
- 5. 相手ハウジング型番 172500 他
- △ 部分金めっき

- △ MATE WITH 0.65t TAB.
- 2. MATE TAB P/N 172777,172778.
- 3. PRODUCT SPEC. No.108-5165,5166
- 4. APPLICATION SPEC. No.114-5071.
- 5. PLUG HSG P/N 172500 ETC.
- △ SELECTIVE GOLD PLATING



A-A SCALE 10: 1

WIRE RANGE	INSULATION DIA
0.5-2.27mm ² (AWG #22-#18)	2.1-3.4 mm DIA

TOLERANCE UNLESS OTHERWISE SPECIFIED: 一般公差	
0 < x ≤ 10	±0.2
10 < x ≤ 30	±0.25
30 < x ≤ 100	±0.3
ANGLE ; 角度	±3°

THIS DRAWING IS A CONTROLLED DOCUMENT.

DIMENSIONS: mm	TOLERANCES UNLESS OTHERWISE SPECIFIED:
	0 PLC ± -
	1 PLC ± -
	2 PLC ± -
	3 PLC ± -
	4 PLC ± -
	ANGLES ± -
MATERIAL SEE TABLE	FINISH SEE TABLE

DWN D.MATSUURA	08MAR16
CHK S.IWATANI	08MAR16
APVD T.KOHNO	08MAR16
PRODUCT SPEC	NAME
APPLICATION SPEC	SEE NOTE
WEIGHT	-
CUSTOMER DRAWING	

172774-2	部分金メッキ △ SELECTIVE GOLD	黄銅 BRASS	172773-2	1
バラ状端子型番 L-P NO.	仕上 FINISH	材料 MATERIAL	型番 PART NUMBER	項番 ID
STE TE Connectivity				
RECEPTACLE CONTACT MULTI INTER LOCK CONNECTOR MARK II				
SIZE	CAGE CODE	DRAWING NO	RESTRICTED TO	
A3	00779	C=172773-2	-	
SCALE 5:1			SHEET 1 OF 1	REV A