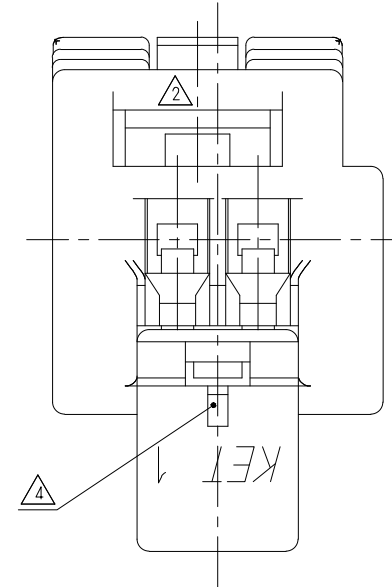
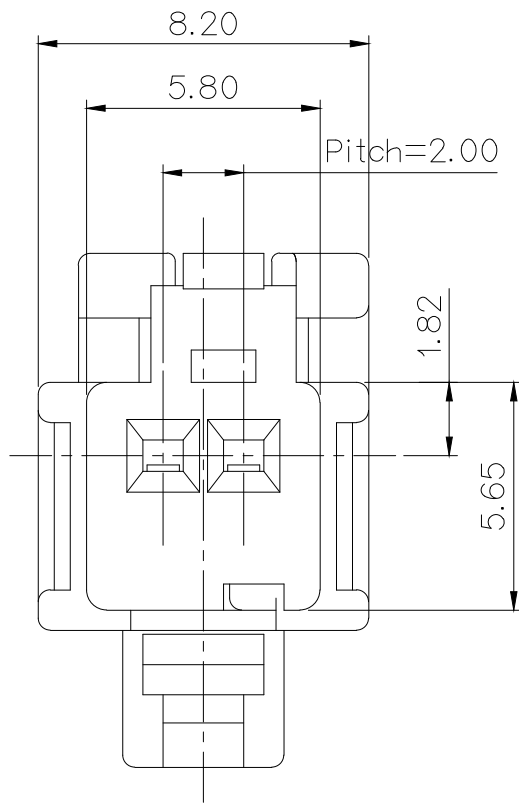
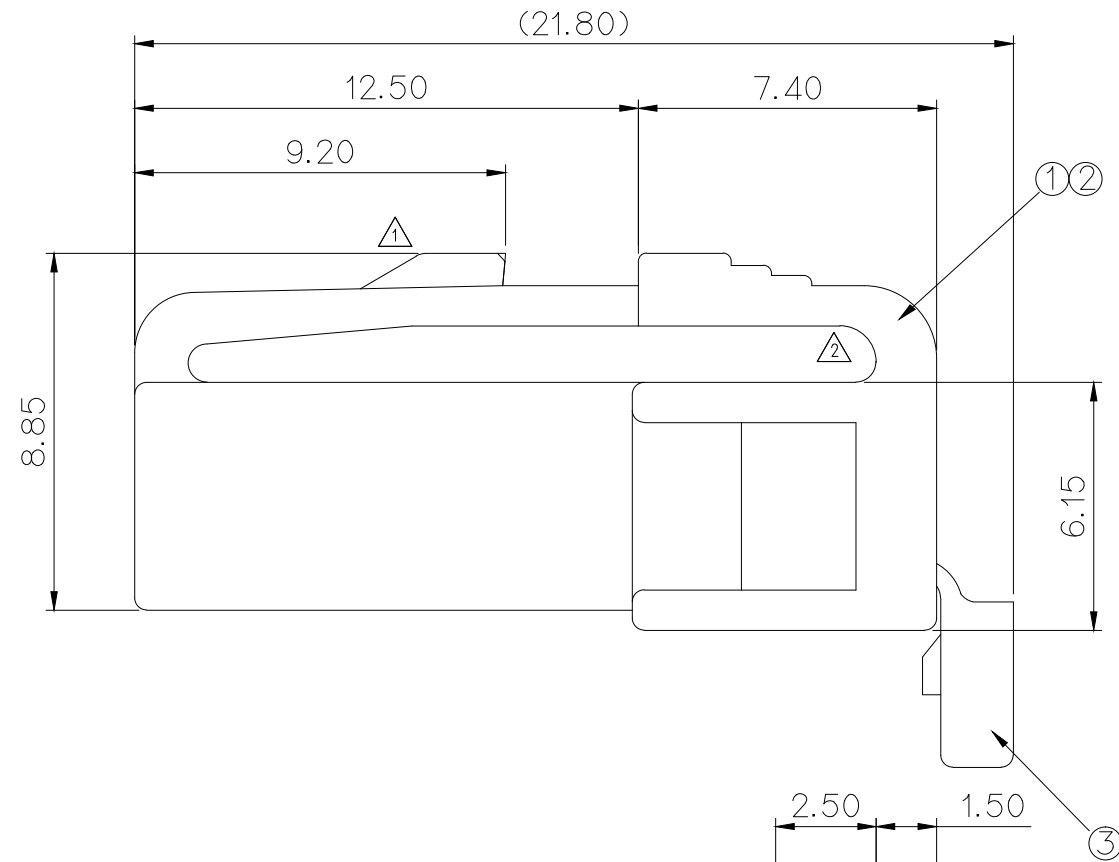
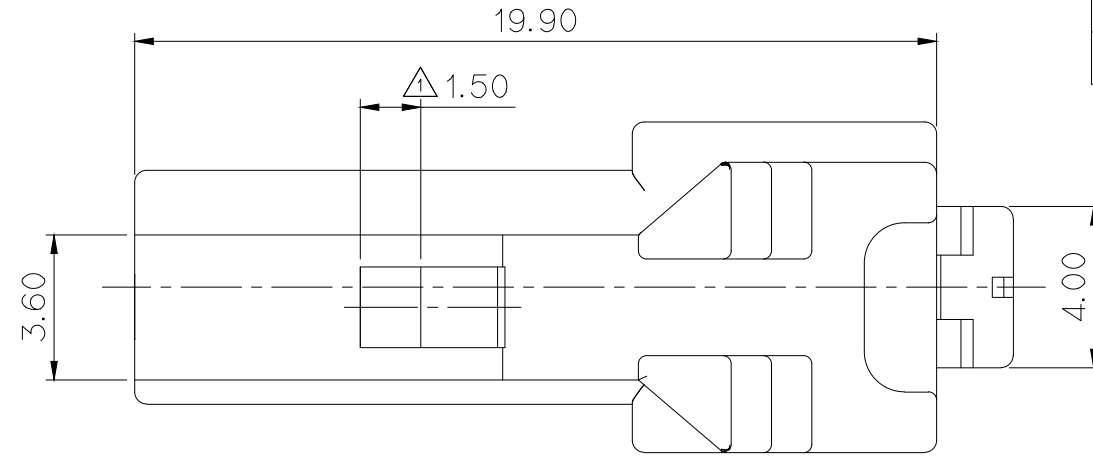


ISO VIEW



GENERAL TOLERANCE (HOUSING)							USED ON
10 MAX	50 MAX	100 MAX	250 MAX	250 VR	ANGLE	ECCENT	
±0.2	±0.3	±0.55	±0.95	±1.4	±30'	0.1	

NOTE

- MUST BE FREE OF BURR, WELDLINE AND IMPERFECTION THAT AFFECT FUNCTION.
- APPLICABLE TERMINAL NO. : ST730913, ST730914
 Δ ST731005
 YA' NO 7116-1670-02, 7116-1670-08, 7116-1800-02
- 6 HAZARDOUS SUBSTANCES IN PARTS (LEAD, MERCURY, CADMIUM, HEXAVALENT CHROMIUM, PBBs, PBDEs) SHALL NOT EXCEED THE MAXIMUM PERMISSIBLE CONCENTRATION

NO.	MATERIAL	COLOR
* 0	P B T	NATURAL
1		RED
2		BLUE
20		JADE
3		YELLOW
4		GRAY
40		DARK GRAY
41		LIGHT GRAY
5		BLACK
6		DARK GREEN
7		BROWN
8	LIGHT GREEN	
9	MAGENTA	
11	ORANGE	

주 기

- 기능상 유해한 BURR 및 WELDLINE 등이 없을 것.
- 적용 TERMINAL NO. : ST730913, ST730914, Δ ST731005
 YA' NO 7116-1670-02, 7116-1670-08, 7116-1800-02
- 제품내 함유된 6대 유해물질 (납, 수은, 카드뮴, 6가크롬, PBBs, PBDEs)은 EU ELV 지침 및 RoHS 법규에서 지정한 최대 허용 농도를 초과해서는 안 된다.



ISSUE MARK

030 2F HOUSING

PART No. MG652630

Δ 030 2F HOUSING (COVER TYPE)

PART No. MG657158

NO.	PART NO.	PART NAME	MATERIAL	FINISH	Q'TY
③	MG672632-3	A 2P PLUG R/HOLDER <A02FW-R/H>	NYLON66	YELLOW	1 1
②	MG677655	A 2P PLUG HOUSING <A02FW>	PBT	NATURAL	- 1
①	MG672631	A 2P PLUG HOUSING <A02FW>	PBT	NATURAL	1 -

ASSY NO.	MG652630
	Δ MG657158

Δ ECO-2001-063 큰거 제작성 (COVER TYPE 품번 추가)	KJC	AJH	CMS	20.01.08	MATERIAL	SEE TABLE	KOREA ELECTRIC TERMINAL CO., LTD.
Δ ECO-1911-146 큰거 도면 재작성	HYJ	-	CJH	19.11.12	FINISH	SEE TABLE	
Δ ECO-1602-284 큰거 제작성 (적용 TERMINAL 사양 추가)	KCS	CKY	LSY	16.02.23	WIRE RANGE	CLASS	91A
Δ ECO-1503-467 큰거 제작성 (LOCKING LEVER 놀림개선)	KCS	HYJ	LSY	15.03.25	INSULATION	TYPE	7283-8629
Δ ECO-1208-923 큰거 제작성	YM.K	CSH	HSH	12.08.24	TOLERANCE EXCEPT AS NOTED	SCALE	5/1
LTR	REVISION RECORD	DR.	CHK.	APP.	DATE	PART NO.	MG652630
DR.	LSY 02.11.19	CHK.	KKJ		11/19	PART NAME	A 2P PLUG HOUSING ASS'Y <A02FW>
		APP.	CHOJH		11/19		