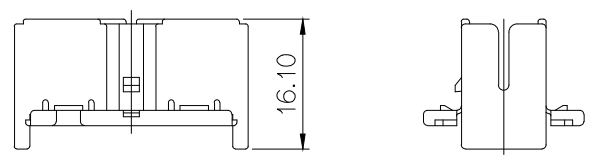
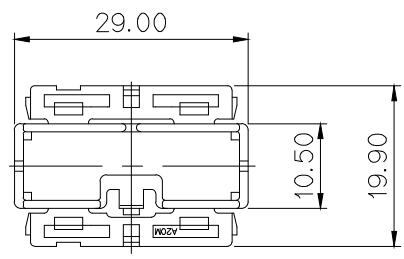
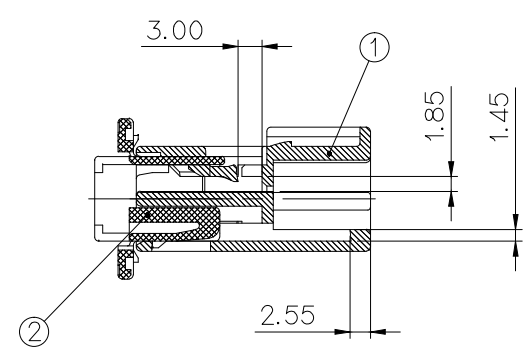


PART NO. MG641409

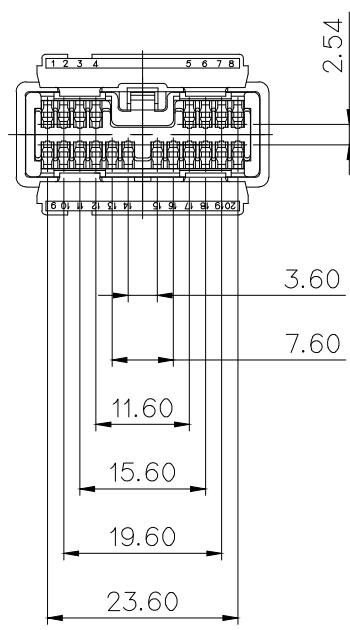
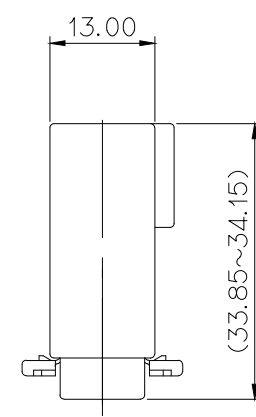
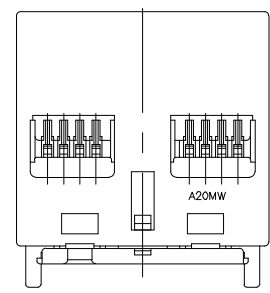
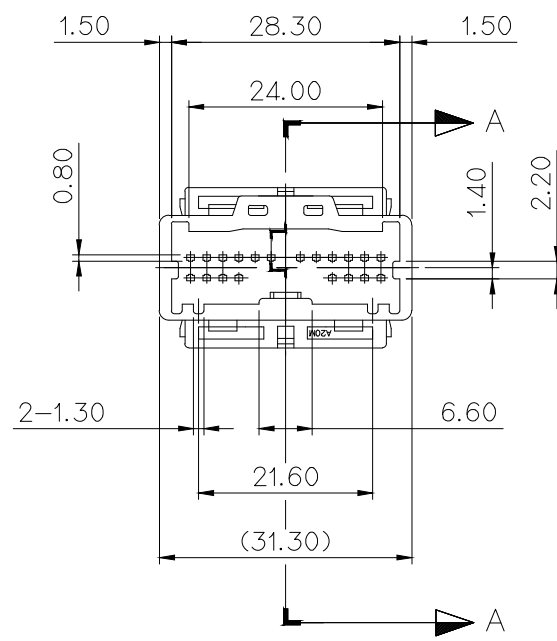
CUSTOMER DRAWING



MG671408



SECTION A-A



GENERAL TOLERANCE (HOUSING)							USED ON
10MAX	50MAX	100MAX	250MAX	250VR	ANGLE	ECCENT	
±0.20	±0.3	±0.55	±0.95	±0.14	±30'	0.10	

주 기

- 기능상 유해한 BURR 및 미성형이 없을것.
- 상대 HOUSING PART NO. : MG651412
- 적용 TERMINAL NO. : 7116-1670-02
7114-1670-08, 7114-1800-02
- 제품내 함유된 6대 유해물질 (납, 수은, 카드뮴, 6가 크롬, PBBs, PBDEs)은 EU ELV 지침 및 RoHS 법규에서 지정한 최대 허용 농도를 초과해서는 안된다.

NOTE

- MUST BE FREE OF FLASH, SINK AND IMPERFECTION THAT AFFECT FUNCTION.
- APPLICABLE HOUSING NO. : MG651412
- APPLICABLE TERMINAL NO. : 7116-1670-02
7114-1670-08, 7114-1800-02
- 6 HAZARDOUS SUBSTANCES IN PARTS (LEAD, MERCURY, CADMIUM, HEXAVALENT CHROMIUM, PBDEs) SHALL NOT EXCEED THE MAXIMUM PERMISSIBLE CONCENTRATION PRESCRIBED UNDER EU ELV DIRECTIVE & RoHS REGULATION.

APPROVED

2018-12-07

**KOREA ELECTRIC
TERMINAL CO., LTD.**
Korea Electric Terminal Co., LTD.

ISSUE MARK

KET KOREA ELECTRIC
ENGINEERED TERMINAL CO., LTD.

NO.	PART NO.	PART NAME	MATERIAL	FINISH
1	MG671407	A20P REC. HS'G	PBT	NATURAL
2	MG671408	A20P REC. REAR HOLDER	NYLON66	NATURAL

				MATERIAL	SEE NOTE	
				FINISH	SEE NOTE	
				WIRE RANGE		CLASS
				INSULATION		TYPE 7282-8600
LTR	REVISION RECORD	DR.	CHK.	DATE	TOLERANCE EXCEPT AS NOTED SEE TABLE	SCALE 1/1
DR.	BIN. 01.11.24	CHK.			PART NAME	PART NO. MG641409
CHK.		APP.			A20P REC. ASS'Y (A20MW)	

(DIMENSIONS IN MM)