

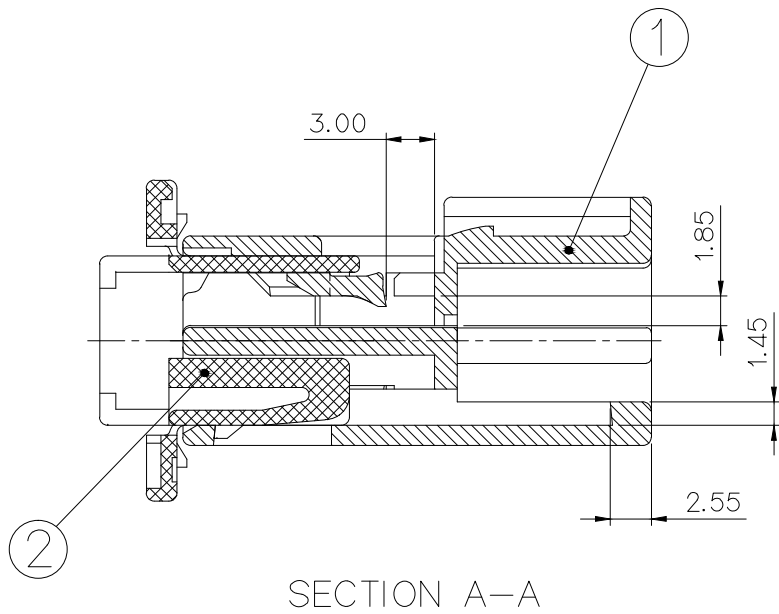
GENERAL TOLERANCE (HOUSING)							USED ON
10MAX	50MAX	100MAX	250MAX	250VR	ANGLE	ECCENT	
±0.20	±0.3	±0.55	±0.95	±1.4	±30'	0.10	

주 기

1. 기능상 유해한 BURR 및 미성형이 없을것.
2. 상대 HOUSING PART NO. : MG651397
- △ 3. 적용 TERMINAL NO. : ST740928, 929
- △ 4. 제품내 함유된 6대 유해물질 (납,수은,카드뮴,6가크롬,PBBs, PBDEs)은 EU ELV 지침 및 RoHS법규에서 지정한 최대 허용 농도를 초과해서는 안된다.

NOTE

1. MUST BE FREE OF FLASH, SINK AND IMPERFECTION THAT AFFECT FUNCTION.
2. APPLICABLE HOUSING NO. : MG651397
- △ 3. APPLICABLE TERMINAL NO. : ST740928, 929
- △ 4. HAZARDOUS SUBSTANCES IN PARTS(LEAD,MERCURY,CADMIUM, HEXAVALENT CHROMIUM,PBBs,PBDEs) SHALL NOT EXCEED THE MAXIMUM PERMISSIBLE CONCENTRATION PRESCRIBED UNDER EU ELV DIRECTIVE & RoHS REGULATION.



SECTION A-A

NO.	PART NO.	PART NAME	MATERIAL	FINISH
1	MG671392	A 12M HOUSING	PBT	NATURAL
2	MG671393	A 12M REAR HOLDER	NYLON66	NATURAL

APPROVED

2018-12-07

**KOREA ELECTRIC
TERMINAL CO., LTD.**
Korea Electric Terminal Co., LTD.

ISSUE MARK

△ 4	설계사양변경(S070268) 근거 도면 재작성 (REAR HOLDER HINGE부 형상 변경)	CDH		07.11.22	MATERIAL	SEE TABLE	KOREA ELECTRIC TERMINAL CO., LTD.
△ 3	설계사양변경(S070127) 근거 도면 재작성 (REAR HOLDER HINGE부 형상 변경)	YSW SHIN HSH KKJ		07.05.22	FINISH	SEE TABLE	
△ 2	설계사양변경(S060003) 근거 도면 재작성 (TML 국산화에 따른 적용 TML 변경)	KDJ HSH KKJ		'06.01.05	WIRE RANGE	CLASS	
△ 1	시방변경(S030135) 근거 도면 재작성	CCW KKJ JJH		'03.7.24	INSULATION	TYPE 7282-4125	
LTR	REVISION RECORD	DR.	CHK.	APP.	DATE	TOLERANCE EXCEPT AS NOTED	SCALE 2/1
DR. BIN.	'02.03.04	CHK.				PART NO.	MG641394
CHK.		APP. CHOSH			3/5	PART NAME	A 12M HOUSING ASSY (A12MW)