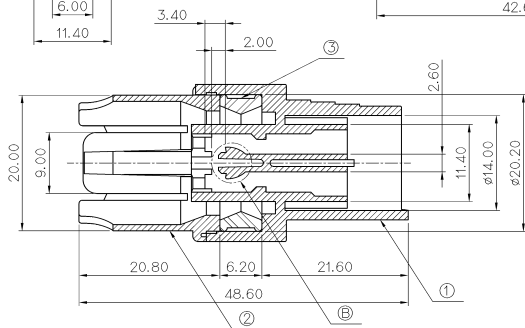
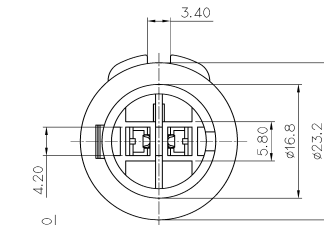
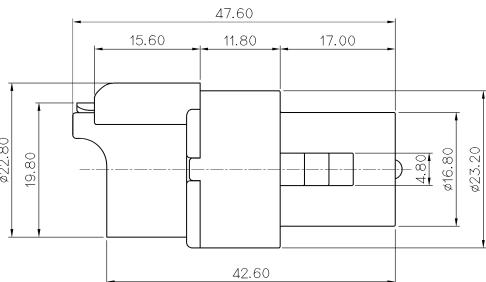
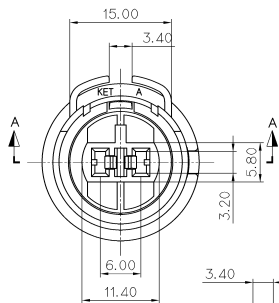
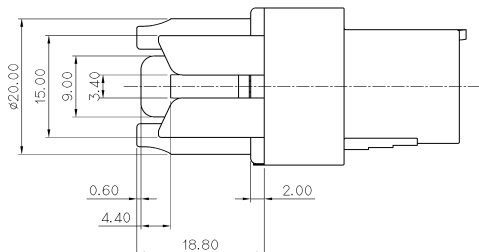


NO.	MATERIAL	COLOR
* 0	P B T	NATURAL
1		RED
2		BLUE
3		YELLOW
4		GRAY
40		DARK GRAY
41		LIGHT GRAY
* 5		BLACK
6		DARK GREEN
7	BROWN	
8	LIGHT GREEN	
9	MAGENTA	
11	ORANGE	



SECTION A-A

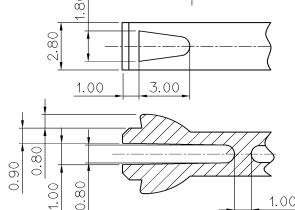
GENERAL TOLERANCE (HOUSING)								USED ON
10MAX	50MAX	100MAX	250MAX	250VR	ANGLE	ECCENT		
±0.2	±0.3	±0.55	±0.95	±1.4	±30'	0.1		

NO.	PART NAME	PART NO.	MATERIAL	COLOR	QTY.
1	REC.HSG 2P BODY"A"	P900397	PBT	SEE TABLE	1
2	REC.HSG 2P BODY"B"	P900398	PBT	SEE TABLE	1
3	2P용 INNER SEAL	P900410	SILICONE RUBBER	RED	1

주 기

- 제품기능상 유해한 BURR, 변형 및 WELDLINE 등이 없었.
- 적용 TERMINAL : ST730383, 186, 192
- 적용 HOUSING : MG610164
- 적용 WIRE SEAL : MG680166

DETAIL "B"
(S=5/1)



				MATERIAL	SEE TABLE	KET KOREA ELECTRIC TERMINAL CO., LTD.	
				FINISH	SEE TABLE		
도면 변경에 따른 차익명	LMU	WNC	05.05.31	WIRE RANGE		CLASS	7219 - 3320
P/NAME 변경			89.06.14	INSULATION		TYPE	
LTR	REVISION RECORD	DR	CHK	APP.	DATE	SCALE SEE TABLE	PART NO.
DR	CHOSI	87.11.30	CHK	AP	88.01.09	SCALE	2/1
CHK	S. W. KIM		APP.	AP		PART NAME	BS 2F ASSY