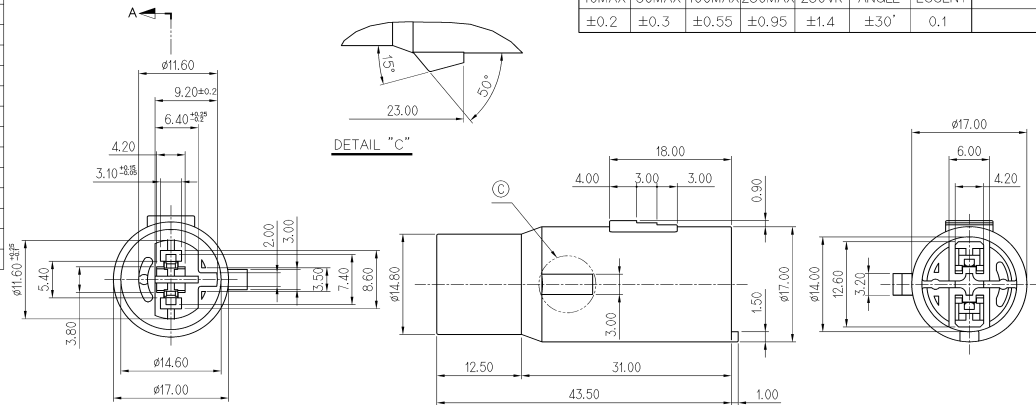
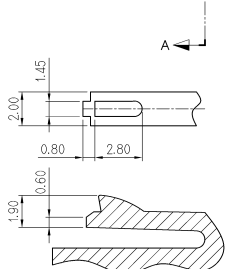


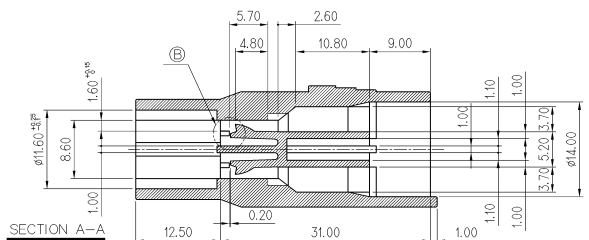
NO.	MATERIAL	COLOR
0	P B T	NATURAL
1		RED
2		BLUE
3		YELLOW
4		GRAY
40		DARK GRAY
41		LIGHT GRAY
5		BLACK
6		DARK GREEN
7		BROWN
8	LIGHT GREEN	
9	MAGENTA	
11	ORANGE	



GENERAL TOLERANCE (HOUSING)							USED ON
10MAX	50MAX	100MAX	250MAX	250VR	ANGLE	ECCENT	
±0.2	±0.3	±0.55	±0.95	±1.4	±30'	0.1	



DETAIL "B"
(S=5/1)



SECTION A-A



ISSUE MARK

주 기

- 제품기능상 유해한 BURR, 변형 및 WELDLINE 등이 없을것.
- 적용 TERMINAL : ST740393, 315, 187, 193
- 적용 HOUSING : MG640165, 192
- 적용 WIRE SEAL : MG680166

				MATERIAL		SEE TABLE	KET KOREA ELECTRIC TERMINAL CO., LTD.		
				FINISH		SEE TABLE			
				WIRE RANGE			CLASS		
				INSULATION			TYPE 7118-3320		
△ 단 전선용에 대한 적용 LMR K-MSCC 2/5 '05.05.31		DR		CHK		DATE		PART NO. MG610164	
LTR REVISION RECORD		DR		CHK		DATE		SCALE 2/1	
DR. CHOSH. '87.11.24		CHK. H		DATE '87.12.30		SEE TABLE		PART NAME	
CHK. S. W. K		APP. H. J. K						BS 2M HOUSING	