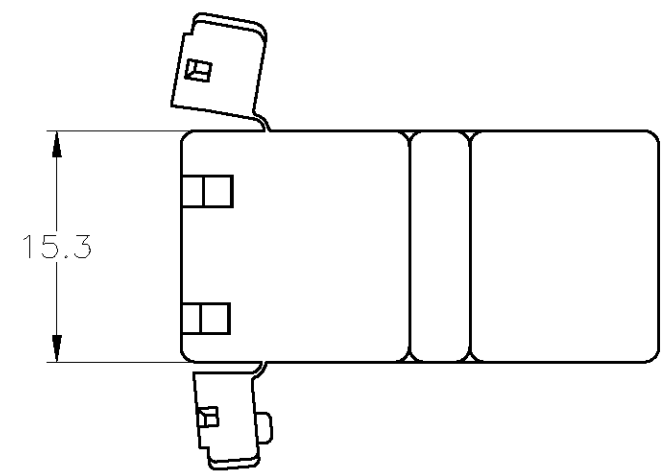
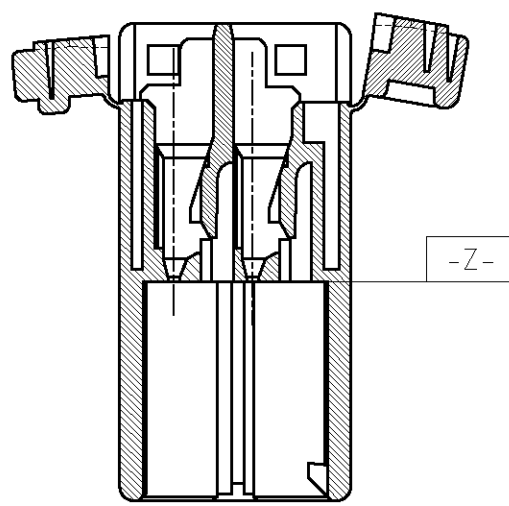
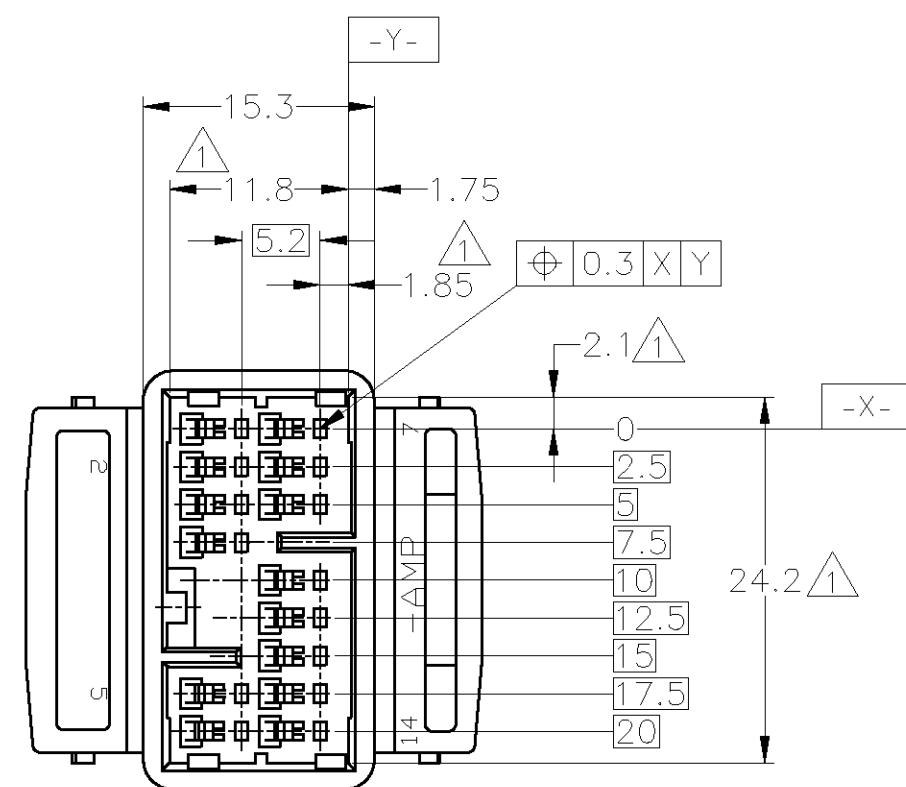
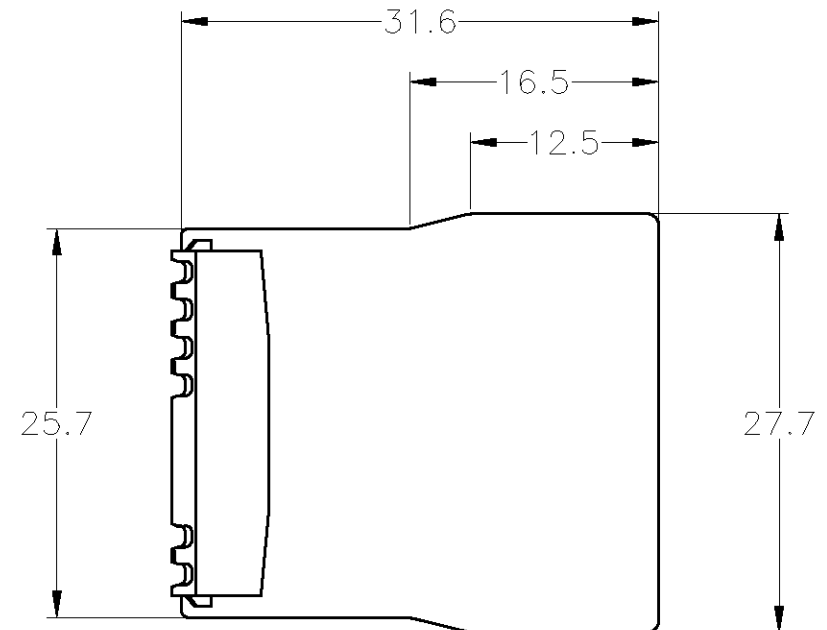
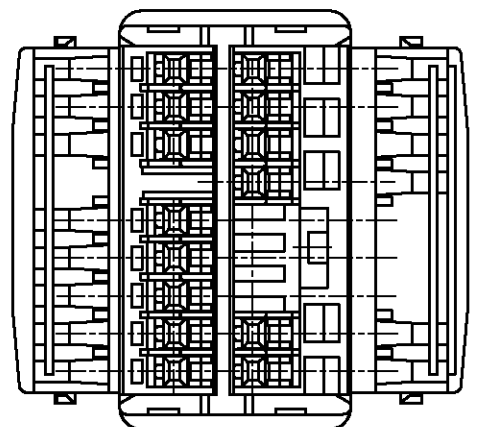


THIS DRAWING IS UNPUBLISHED. RELEASED FOR PUBLICATION  
 © COPYRIGHT - By Tyco Electronics JAPAN G.K. ALL RIGHTS RESERVED.

LOC	DIST	REVISIONS					
J	-	P	LTR	DESCRIPTION	DATE	DWN	APVD
		A		REDRAWN W/CHANGE	ECR-13-002015	11MAR2013	TS KB



- ①. MUST BE KEPT BETWEEN [-Z-] AND 2mm.
  - 2. APPLIED CONTACT PART NUMBER; 173682, 175206
  - 3. THE MATING PLUG HOUSING NUMBERS; 917531
- ①. [-Z-] 面より2mmの範囲で測定。
  - 2. 内装するコンタクト型番; 173682, 175206
  - 3. 嵌合相手ハウジング型番; 917531

NATURAL	917531-1
COLOR	PART NUMBER

THIS DRAWING IS A CONTROLLED DOCUMENT.		DWN T.SHINOHARA 04FEB2013	<b>TE Connectivity</b>													
DIMENSIONS: 単位: 耗 mm		CHK K.BETSUI 04FEB2013														
TOLERANCES UNLESS OTHERWISE SPECIFIED: 一般公差		APVD T.SHINOHARA 04FEB2013	NAME 名称 040 SERIES MULTI-LOCK I/O CONNECTOR 14POSITION CAP HOUSING													
<table border="1"> <tr> <td>0-PLC</td><td>±</td></tr> <tr> <td>1-PLC</td><td>±</td></tr> <tr> <td>2-PLC</td><td>±</td></tr> <tr> <td>3-PLC</td><td>±</td></tr> <tr> <td>4-PLC</td><td>±</td></tr> <tr> <td>ANGLES</td><td>±</td></tr> </table>		0-PLC	±	1-PLC	±	2-PLC	±	3-PLC	±	4-PLC	±	ANGLES	±	PRODUCT SPEC 製品規格 108-5471	RESTRICTED TO 番号 -	
0-PLC	±															
1-PLC	±															
2-PLC	±															
3-PLC	±															
4-PLC	±															
ANGLES	±															
MATERIAL 材料 PBT		FINISH 仕上 -	APPLICATION SPEC 取付適用規格	SIZE A3												
TOLERANCES UNLESS OTHERWISE SPECIFIED: 一般公差 10 ≥ : ±0.2 30 ≥ > 10 : ±0.25 100 ≥ > 30 : ±0.3 ANGLE : ±3°		WEIGHT 7.6 g	CAGE CODE 00779	DRAWING NO C-917532												
		CUSTOMER DRAWING	SCALE 尺度 2:1	SHEET 1 OF 1												
				REV A												