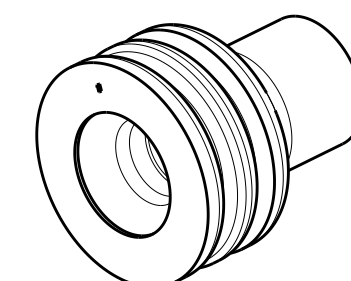
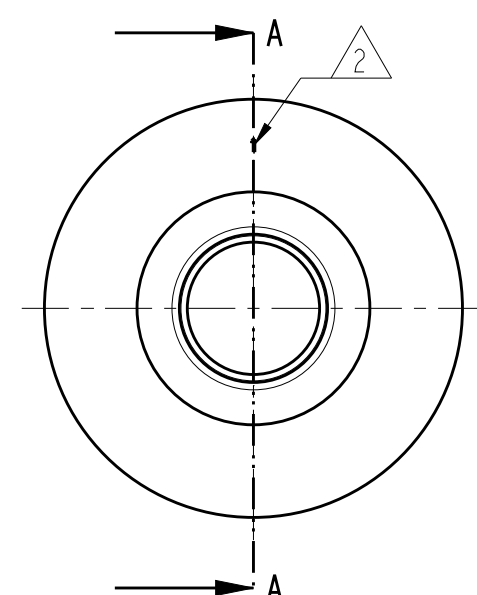
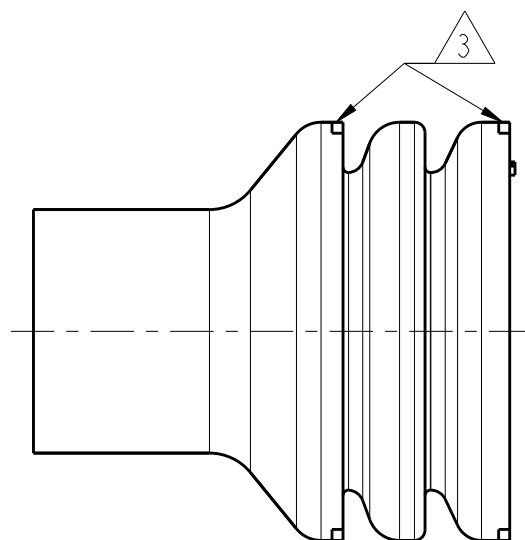
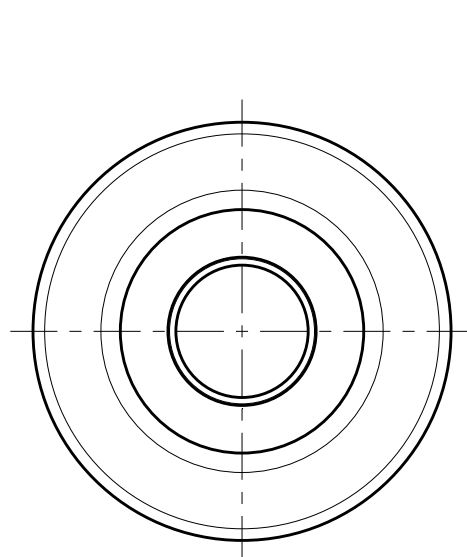
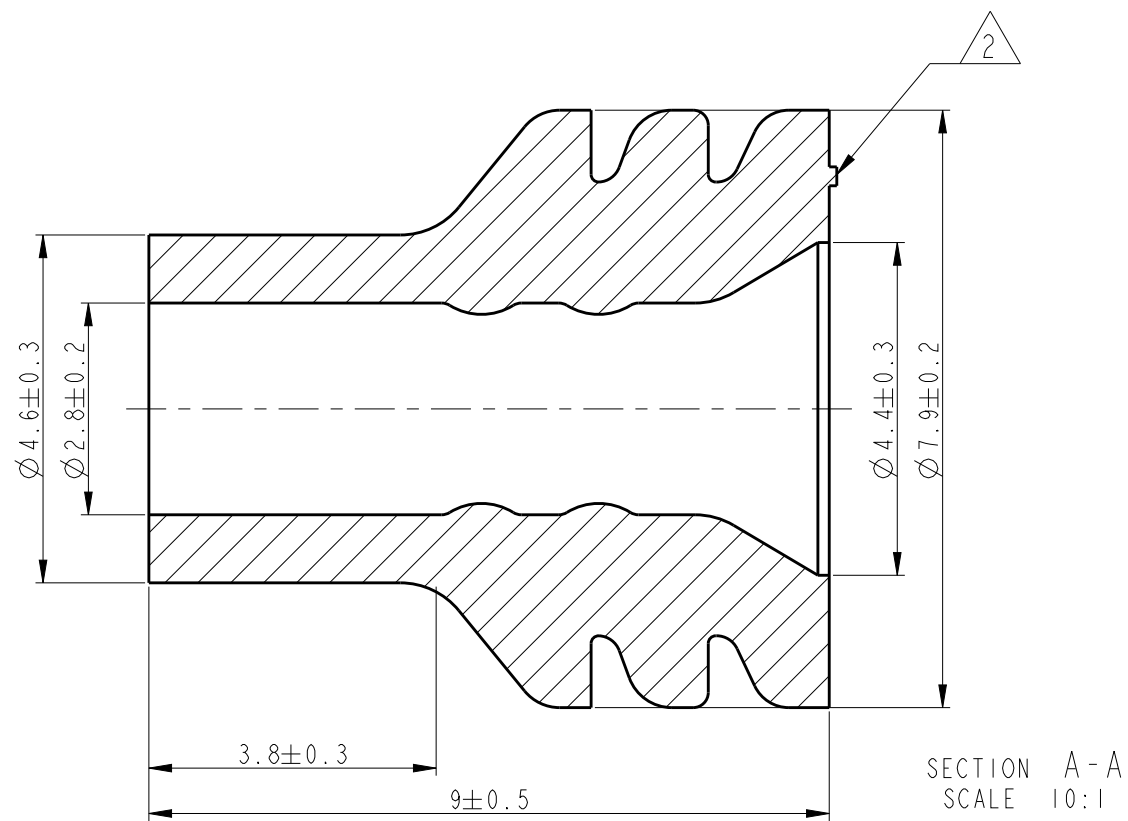


P	LTR	DESCRIPTION	DATE	DWN	APVD
	AI	REVISED (ECR-16-007323)	19.MAY.'16	JM	JW



ISO VIEW



SECTION A-A
SCALE 10:1

NOTES.
 (AI) MATERIAL: NBR(HARDNESS 40±5°, LUBRICATED CONTAIN 5% OIL)
 CAVITY MARK: 0.25mm LETTERS (MAX. 0.1mm RAISED)
 APPLICABLE OPTION FIGURE BY MANUFACTURING PROCESS
 BUT MUST BE NO PROBLEM IN FUNCTION.

GENERAL TOLERANCES	
0<XX<10	±0.2
10<XX<30	±0.25
30<XX	±0.3
ANGLE	±3°

BLACK		85011-1
COLOR	MATERIAL	P/N

THIS DRAWING IS A CONTROLLED DOCUMENT.		DWN JM JEON	TE Connectivity	
DIMENSIONS: mm		CHK -		
 TOLERANCES UNLESS OTHERWISE SPECIFIED: 0 PLC ± 1 PLC ± 2 PLC ± 3 PLC ± 4 PLC ± ANGLES ±		APVD JW JUNG	NAME WIRE SEAL FOR 187 SLD 2P CONN'R (INSULATION DIA: PHI 2.9~3.8mm)	
		PRODUCT SPEC -	SIZE A3	CAGE CODE -
MATERIAL SEE NOTE		FINISH -	APPLICATION SPEC -	RESTRICTED TO -
		WEIGHT -	CUSTOMER DRAWING	SCALE 7:1
				SHEET 1 OF 1
				REV AI