

4

3

2

1

THIS DRAWING IS UNPUBLISHED.

RELEASED FOR PUBLICATION

,19

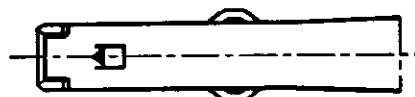
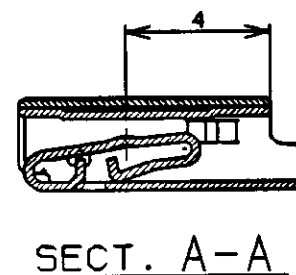
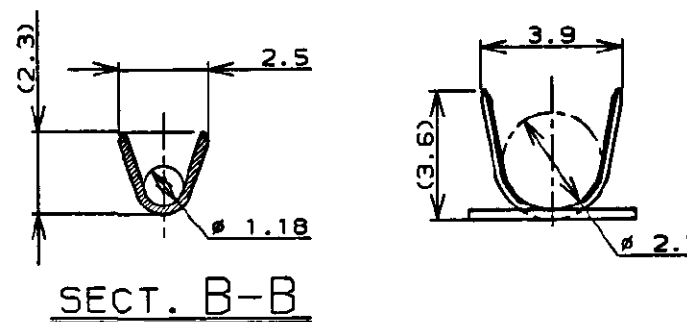
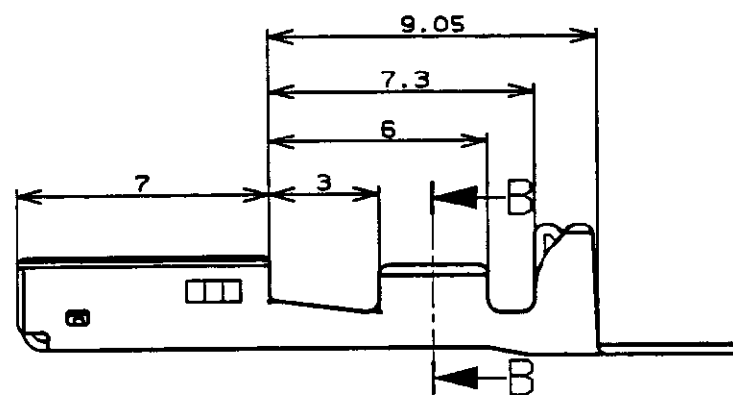
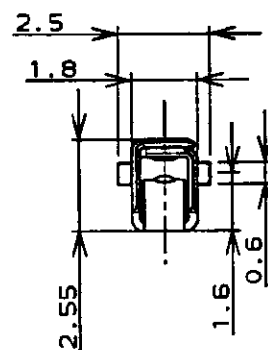
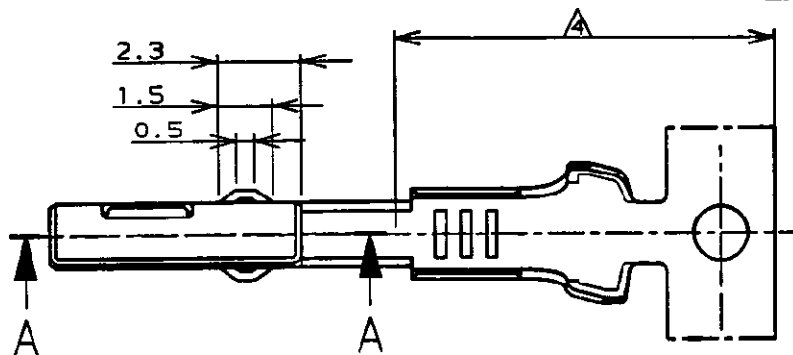
© COPYRIGHT 19

BY AMP INCORPORATED. ALL RIGHTS RESERVED.

LOC J  
DIST -

REVISIONS

P	LTR	DESCRIPTION	ECN	DATE	DWN	APVD
0		DRAWN	FJ00-4529-96	4/24 '96	224	MC

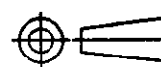


注記;  
1. 適用電線; AVSS, CAVS 0.3-0.5mm<sup>2</sup>

NOTES,  
1. APPLICABLE WIRE RANGE,  
AVSS, CAVS 0.3-0.5mm<sup>2</sup>

THIS DRAWING IS A CONTROLLED DOCUMENT FOR AMP INCORPORATED. IT IS SUBJECT TO CHANGE AND THE CONTROLLING ENGINEERING ORGANIZATION SHOULD BE CONTACTED FOR THE LATEST REVISION.

DIMENSIONS:  
單位: 毫米  
mm



TOLERANCES UNLESS OTHERWISE SPECIFIED

一般公差  
10% ±0.2  
30 ±0.25  
100 ±0.3  
ANGLE ±3°

MATERIAL  
材料  
Cu ALLOY  
銅合金

FINISH  
仕上  
SEE TABLE  
表参照

DWN 11.4/24 '96  
CHK 7. Kobayashi 4/25 '96  
APVD Ch. S. 25/4/96  
PRODUCT SPEC  
製品規格  
- H -  
APPLICATION SPEC  
取付適用規格  
114-5227  
WEIGHT 0.3g  
CUSTOMER DRAWING

PRE-TIN (すずめっき済)	316832-1
FINISH (仕上)	PART NUMBER (型番)
<b>AMP</b> 日本エー・エム・ピー株式会社 Kawasaki, Japan	
.040 III SEALED CONTACT, RECEPTACLE (S) Sn	
SIZE A3	CAGE CODE 00779
DRAWING NO. 番号 C-316832	
SCALE 尺度 5-1	SHEET 1 OF 1
REV 0	

THIS DRAWING IS UNPUBLISHED.

RELEASED FOR PUBLICATION

SEP .02

LOC J

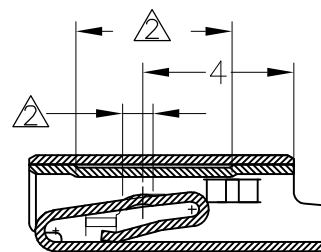
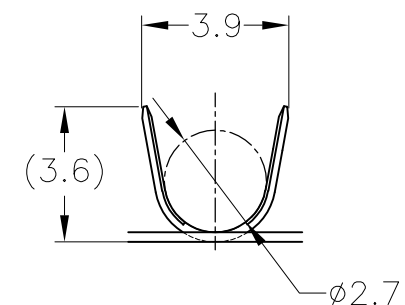
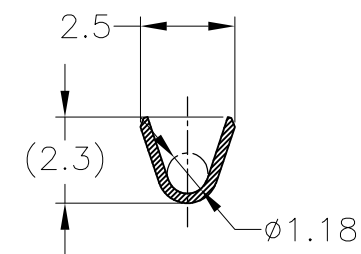
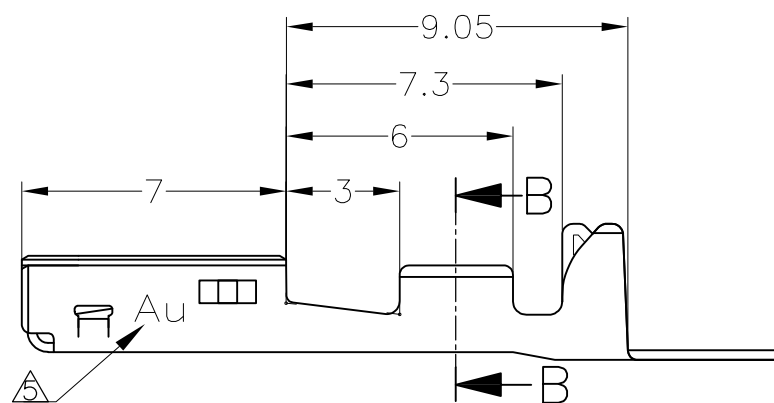
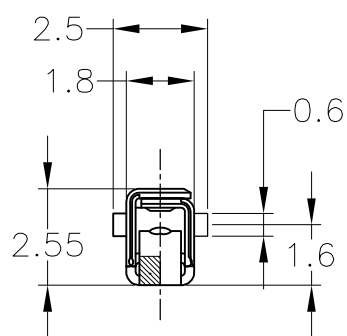
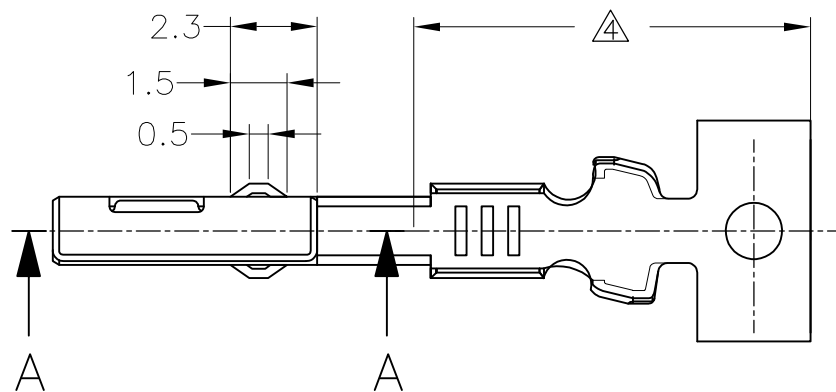
DIST -

REVISIONS

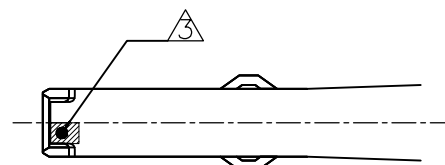
© COPYRIGHT 2015 Tyco Electronics Japan G.K.

ALL RIGHTS RESERVED.

P	LTR	DESCRIPTION	DATE	DWN	APVD
B1	REVISED	ECR-15-018400	22DEC15	KK	RK



A-A



1. 適用電線: AVSS,CAVS 0.3~0.5mm

△ 金めっき範囲 (接触面のみ)

③ 識別用金めっき

△ すすめっき範囲

△ 識別用刻印

1. APPLICABLE WIRE RANGE: AVSS,CAVS 0.3~0.5mm

△ GOLD PLATING AREA (CONTACT SIDE ONLY)

③ GOLD PLATING FOR DISCERNMENT

△ TIN PLATING AREA

△ MARKING FOR IDENTIFICATION

SELECTIVE GOLD/TIN (部分金めっき/すすめっき)	316833-2
FINISH (仕上)	PART NUMBER (型番)

THIS DRAWING IS A CONTROLLED DOCUMENT.		DWN H.YAMAGAMI 24SEP96	TE Connectivity		
DIMENSIONS: mm		CHK T.KOHNO 25APR96			
TOLERANCES UNLESS OTHERWISE SPECIFIED: 一般公差		APVD N.SAI 25APR96	NAME 040III SEALED CONTACT, RECEPTACLE (S) Au		
		PRODUCT SPEC -	SIZE A3	CAGE CODE 00779	DRAWING NO C-316833
MATERIAL Cu ALLOY 銅合金		APPLICATION SPEC 114-5227	RESTRICTED TO -		
FINISH SEE TABLE		WEIGHT 0.3 g	SCALE 5:1 SHEET 1 OF 1 REV B1		
CUSTOMER DRAWING					