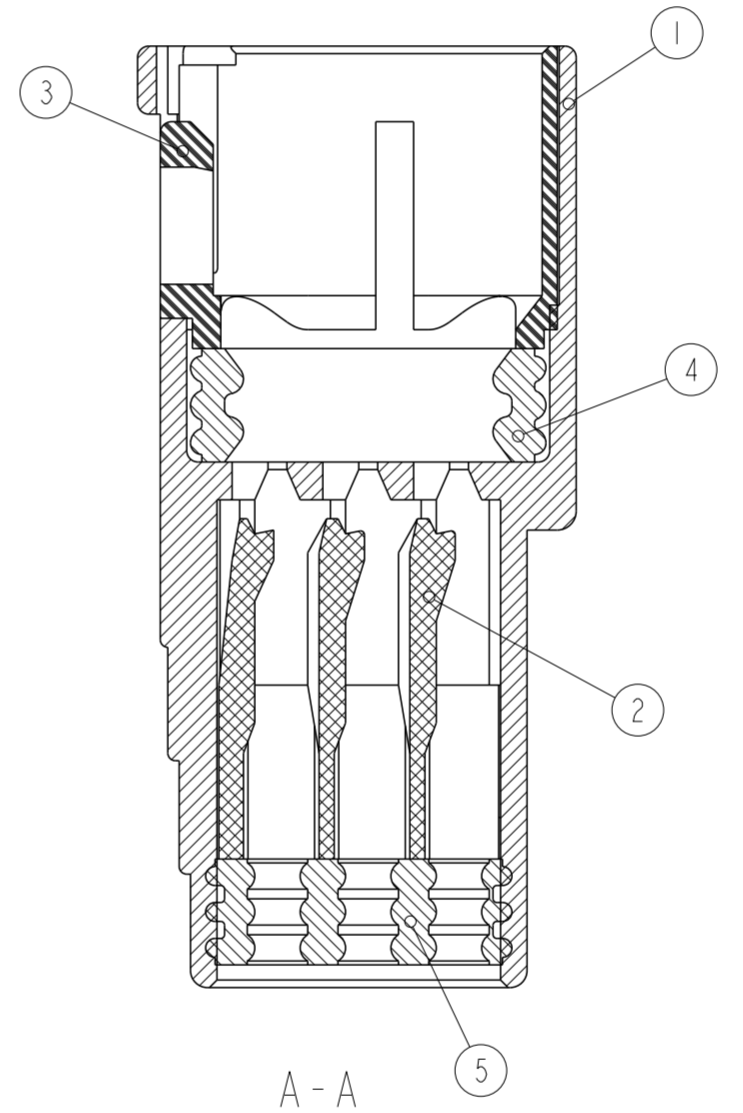
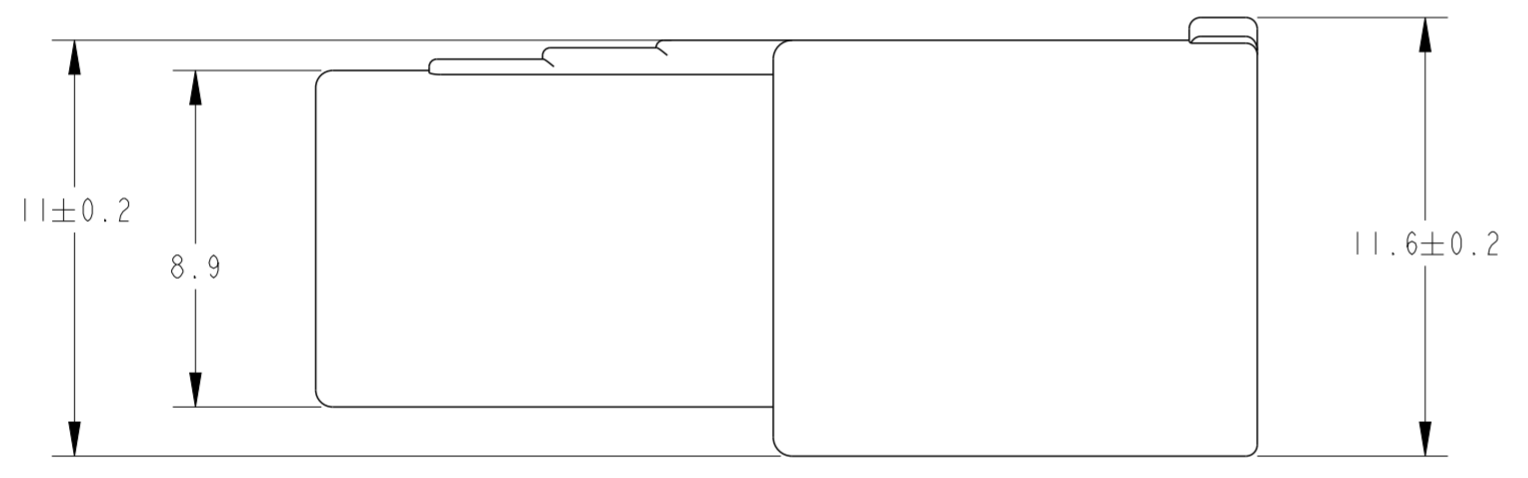
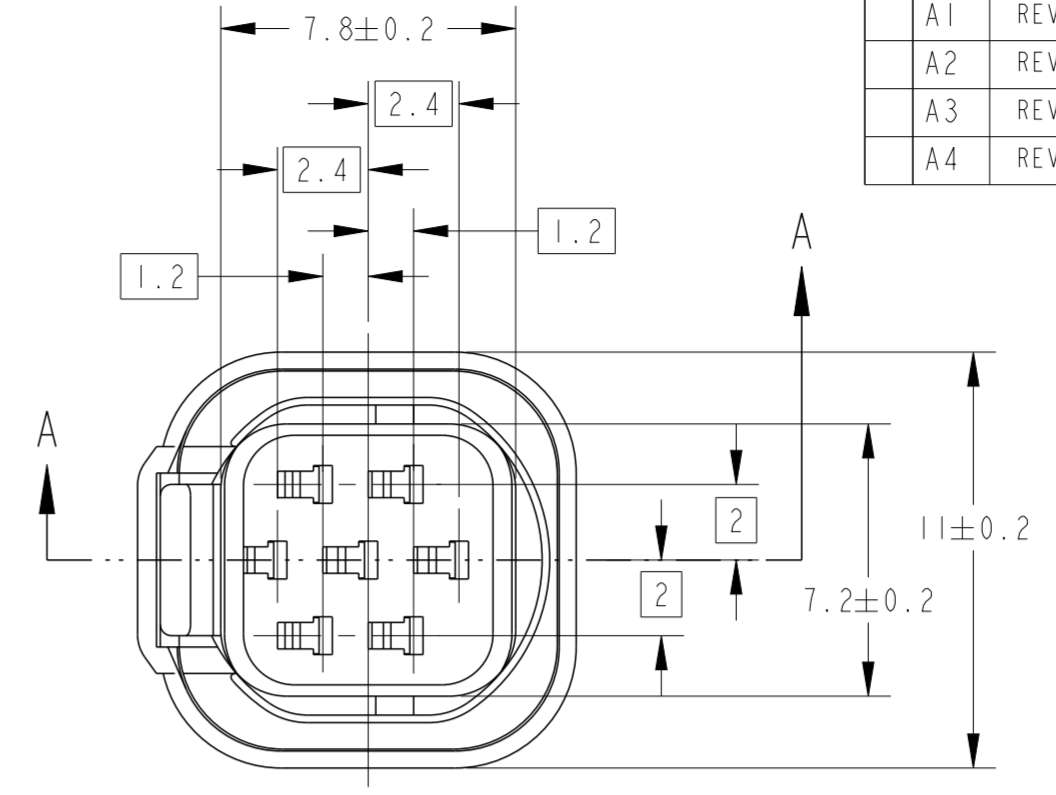
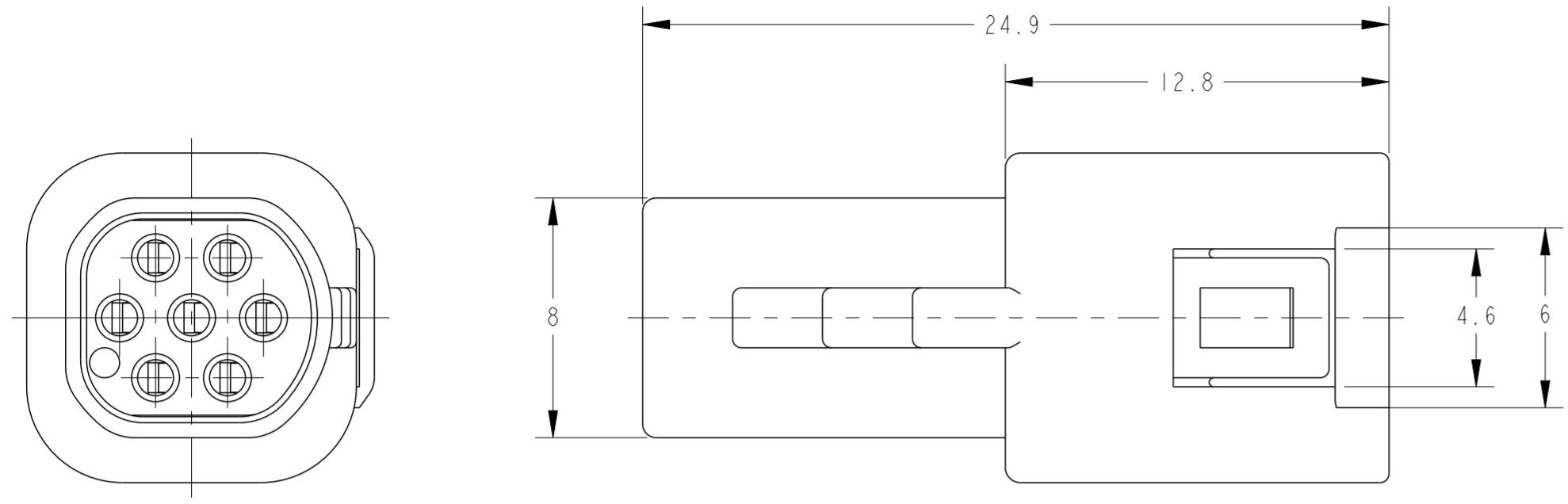


THIS DRAWING IS UNPUBLISHED. RELEASED FOR PUBLICATION FEB.2019
 © COPYRIGHT 2019 Tyco Electronics Japan G.K. ALL RIGHTS RESERVED.

LOC		DIST		REVISIONS			
P	LTR	DESCRIPTION	DATE	DWN	APVD		
		A1	REVISED	ECR-14-016391	06NOV2014	DM	TK
		A2	REVISED	ECR-18-017793	18FEB2019	DM	HK
		A3	REVISED	ECR-19-006693	15AUG2019	DM	HK
		A4	REVISED	ECR-23-185274	21SEP2023	AG	RK



- 1. THE MATING PLUG HSG P/N 2822343
- 2. APPLIED CONTACT P/N 917309
- 3. APPLICABLE PRODUCT SPEC. No. 108-5426
- 4. INSTRUCTION SHEET: 412-5653
- 5. SEAL RUBBER IS NON-BIS TYPE
- 6. APPLIED CAVITY PLUG: 316390-7

- 1. 嵌手相手ハウジング型番: 2822343
- 2. 内装するタブコンタクト型番: 917309
- 3. 適用製品規格番号: 108-5426-1
- 4. 取扱説明書: 412-5653-1
- 5. シールラバーはフタル酸フリー品である。
- 6. 内装するキャビティプラグ型番: 316390-7

OBSOLETE						
ITEM NO.	DESCRIPTION	ITEM NO.	DESCRIPTION	ITEM NO.	DESCRIPTION	ITEM NO.
	7 POSITION CAP HOUSING (YELLOW)	1				
	7 POSITION CAP HOUSING (GRAY)	1				
	7 POSITION CAP HOUSING (BLACK)	1				
	7 POSITION CAP HOUSING (NATURAL)	1				
	SEAL RUBBER (BLACK)	5				
	SEAL RING (LIGHT GRAY)	4				
	SEAL RING HOLDER (GREEN)	3				
	7 POSITION HOUSING LANCE (GREEN)	2				
	7 POSITION CAP HOUSING (GREEN)	1				
2822344-5	2822344-4	2822344-3	2822344-2	2822344-1	NAME & COLOR	ITEM NO.

TOLERANCE UNLESS OTHERWISE SPECIFIED:	
10±	±0.2
30±	>10 : ±0.25
100±	>30 : ±0.3
ANGLE	±0.3°

THIS DRAWING IS A CONTROLLED DOCUMENT.

DIMENSIONS: 単位: 形 mm

TOLERANCES UNLESS OTHERWISE SPECIFIED:

一般公差	±
0 PLC	±0.1
1 PLC	±0.01
2 PLC	±0.001
3 PLC	±0.0001
4 PLC	±0.0001
ANGLES	±1°00'
FINISH	仕上

MATERIAL: PBT G

SEE TABLE

DWN: D. MATSUURA 09 JUN 2014
 CHK: T. KOHNO 09 JUN 2014
 APVD: T. KOHNO 09 JUN 2014

PRODUCT SPEC: 108-5426
 APPLICATION SPEC: 取付適用規格

STE TE Connectivity

7 POSITION CAP HOUSING MINI MULTILOCK CONNECTOR

SIZE: A2 CAGE CODE: 00779 DRAWING NO: C-2822344 RESTRICTED TO: -

WEIGHT: -

CUSTOMER DRAWING SCALE: 5:1 SHEET 1 OF 1 REV: A4