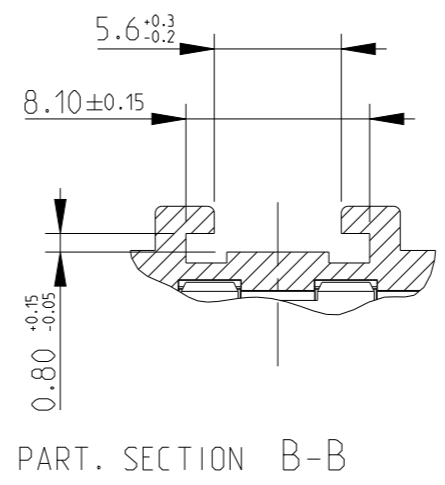
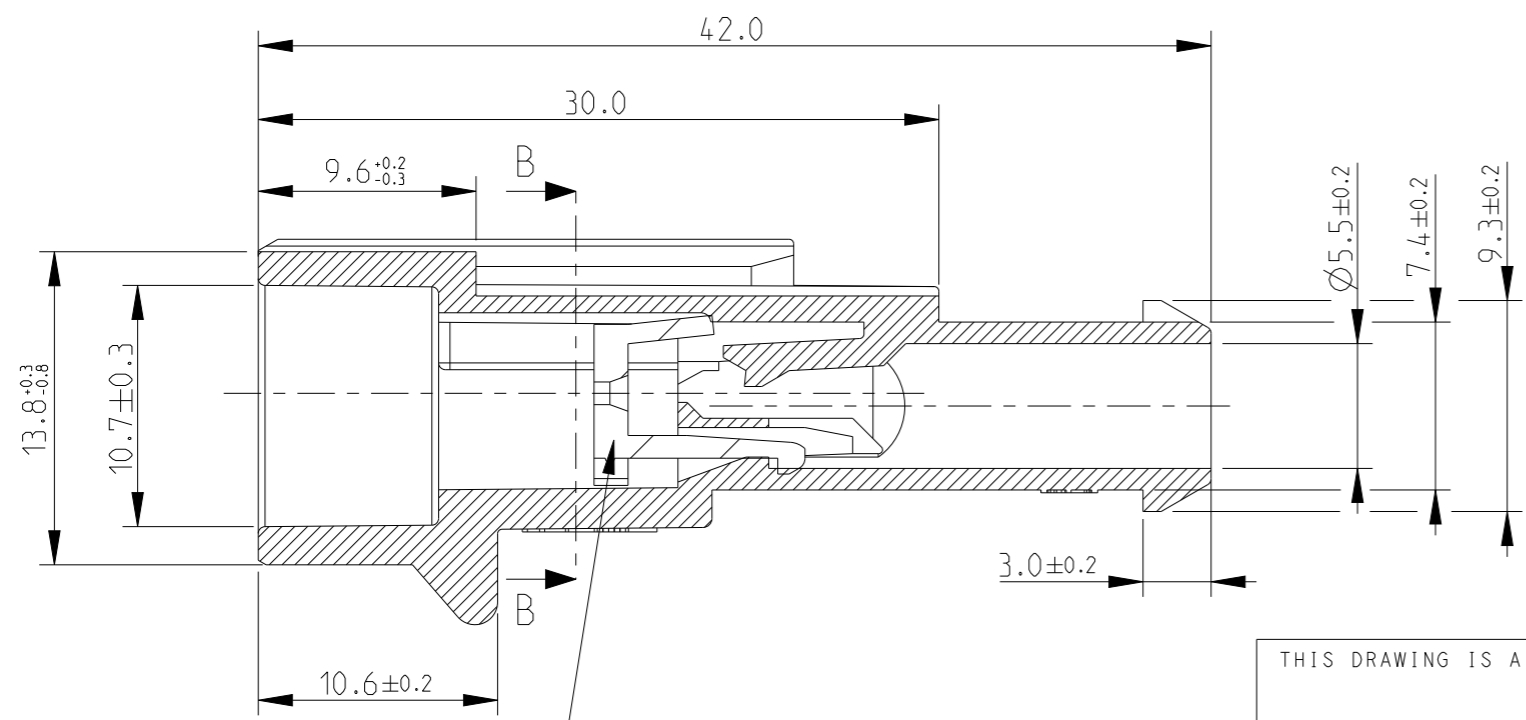
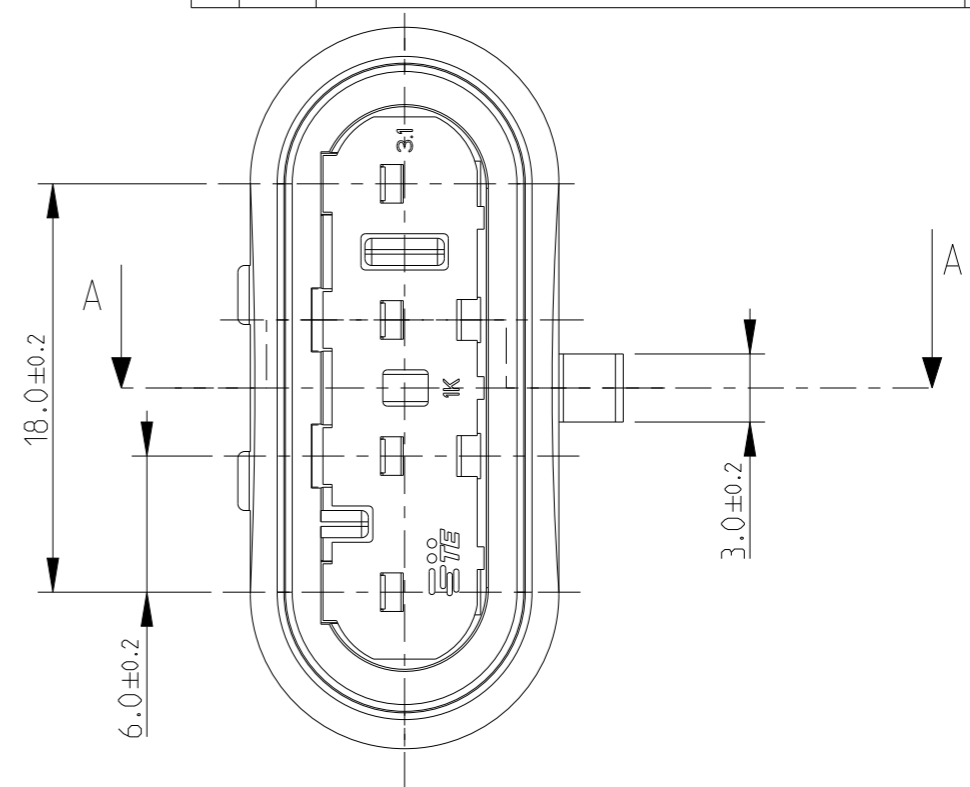
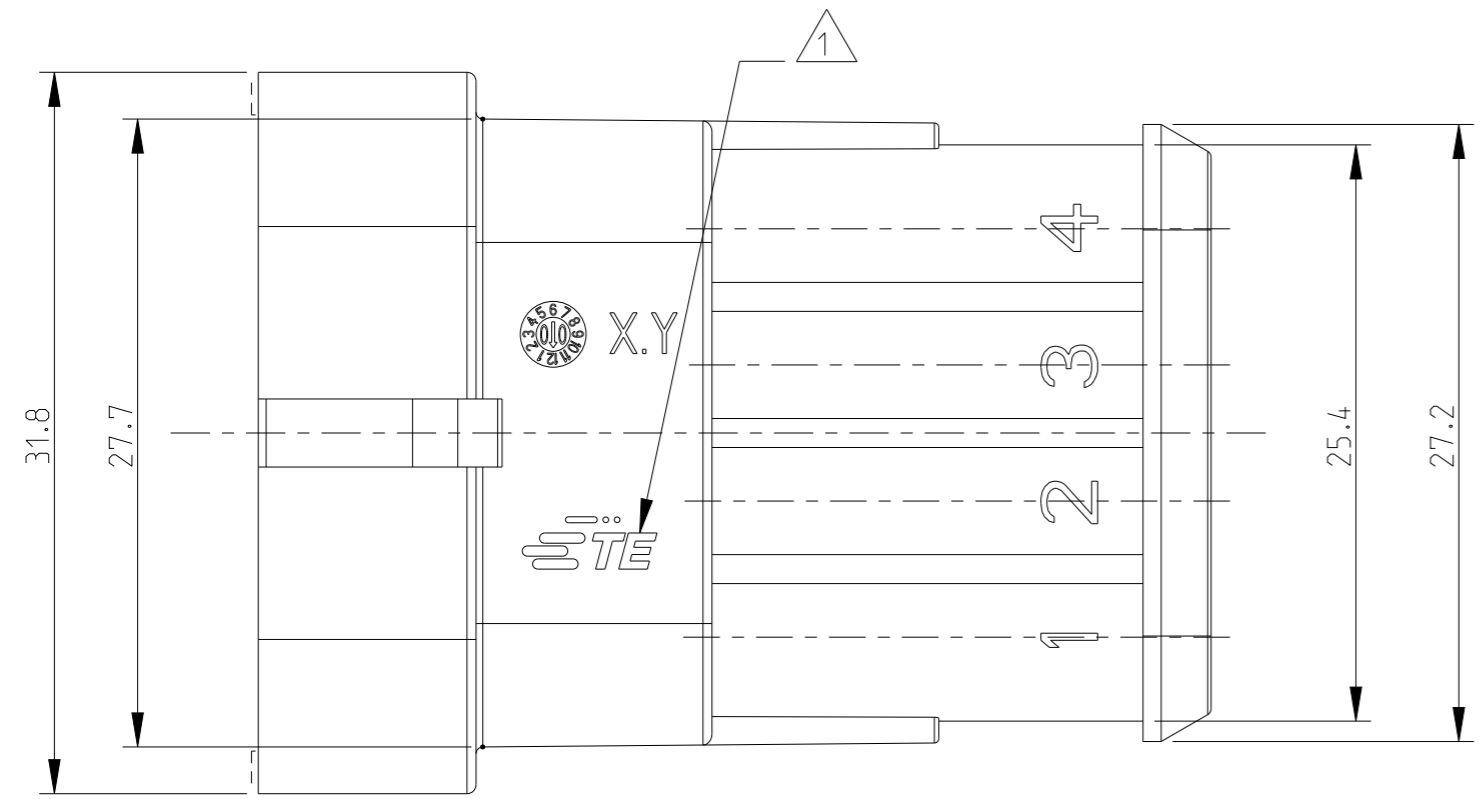


THIS DRAWING IS UNPUBLISHED. RELEASED FOR PUBLICATION 20
 © COPYRIGHT 20 BY - ALL RIGHTS RESERVED.

REVISIONS					
P	LTR	DESCRIPTION	DATE	DWN	APVD
B3		REVISED (ECO-17-009774)	06SEP2017	M.G.	M.G.
B4		REVISED PER ECO-20-002019	12FEB2020	AP	VN
B5		REVISED PER ECN-24-254961	06MAR2024	V.N.	V.N.



FINISH/COLOR	MATERIAL	REV	PART NUMBER
HSG+SL: WHITE	PA66-GF UL94-V2 ACC. TO IEC 60335-1	A	2475845-1
BROWN ²	PA66-GF	B	4-282106-1
GRAY	PA66-GF	B	282106-2
BLACK	PA66-GF	B	282106-1

PRE-ASSEMBLED SECONDARY LOCK (RED COLOR)

¹ TE CONNECTIVITY TRADE MARK, (IN ALTERNATIVE: "AMP" LOGO, OR "Tyco Electronics" LOGO)
² PRELIMINARY

THIS DRAWING IS A CONTROLLED DOCUMENT.		DWN 02 - 1990	STE TE Connectivity	
		C.BERTINI		
DIMENSIONS: mm		CHK 02 - 1990	NAME AMP SUPERSEAL 1,5 SERIES CONNECTORS 4 POSITIONS TAB ASS'Y	
TOLERANCES UNLESS OTHERWISE SPECIFIED:		A.BRUNI		
0 PLC ±		APVD -	SIZE CAGE CODE DRAWING NO RESTRICTED TO	
1 PLC ±0.3		PRODUCT SPEC 108-20090		
2 PLC ±		APPLICATION SPEC 412-20000	A3 - C-282106	
3 PLC ±		WEIGHT 6.14g		
4 PLC ±		CUSTOMER DRAWING	SCALE 3:1 SHEET 1 OF 2 REV B5	
ANGLES ±2°				
MATERIAL -				
FINISH -				
SEE TABLE				

4

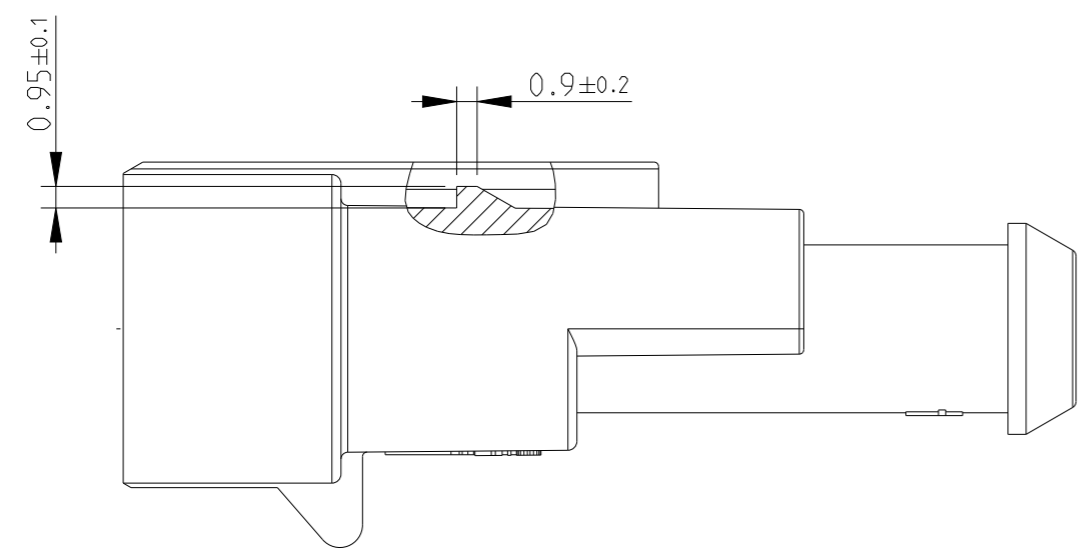
3

2

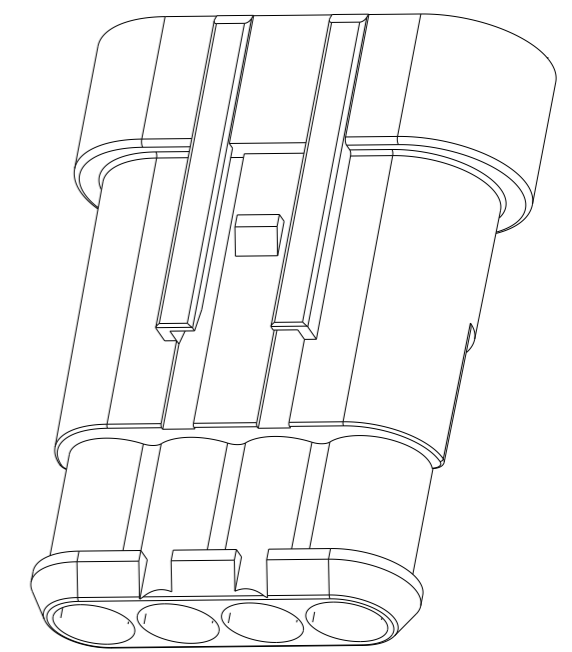
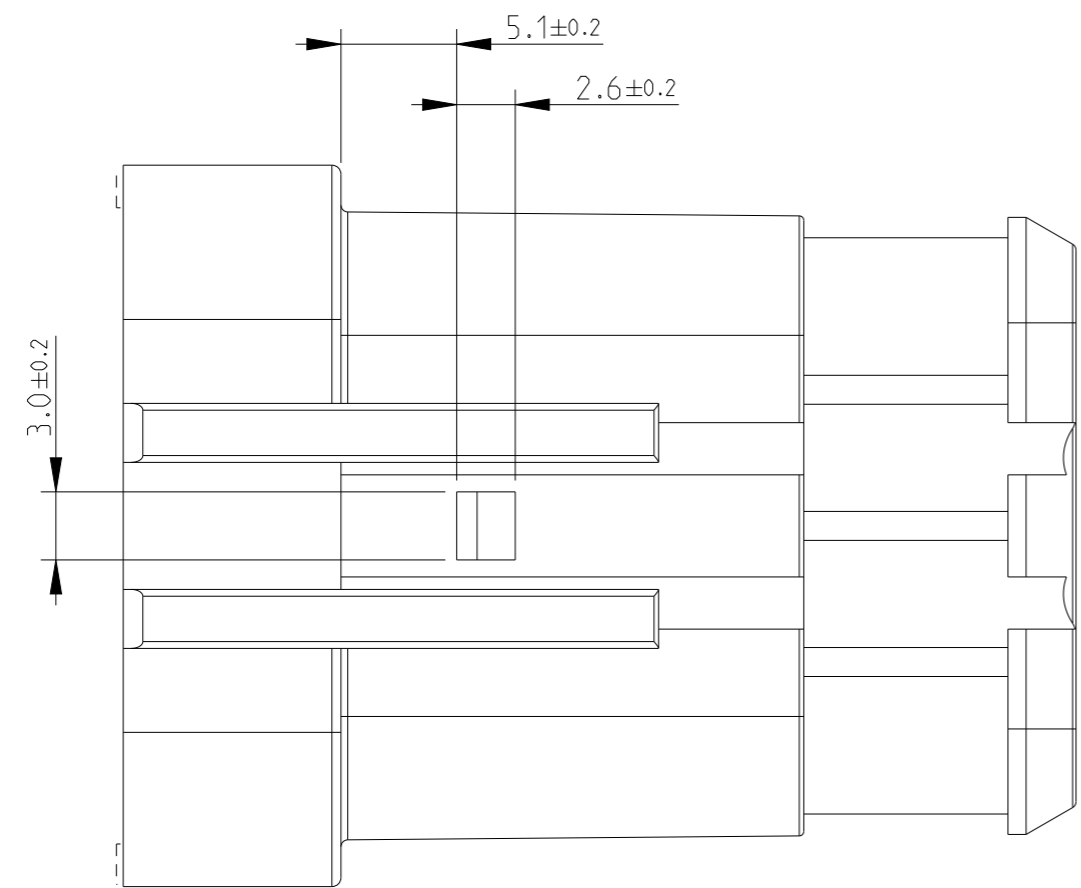
1

THIS DRAWING IS UNPUBLISHED. RELEASED FOR PUBLICATION 20
 © COPYRIGHT 20 BY - ALL RIGHTS RESERVED.

REVISIONS					
P	LTR	DESCRIPTION	DATE	DWN	APVD
-		SEE SHEET 1	-	-	-


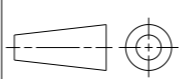


REFER SHEET 1 FOR MISSING DIMENSIONS



PRELIMINARY

4-282106-1 AS SHOWN

THIS DRAWING IS A CONTROLLED DOCUMENT.		DWN C.BERTINI 02 - 1990	 TE Connectivity		
DIMENSIONS: mm		CHK A.BRUNI 02 - 1990			
		APVD -	NAME AMP SUPERSEAL 1,5 SERIES CONNECTORS 4 POSITIONS TAB ASS'Y		
TOLERANCES UNLESS OTHERWISE SPECIFIED:		PRODUCT SPEC 108-20090	APPLICATION SPEC		
0 PLC ±-	± 0.3	APPLICATION SPEC 412-20000	SIZE A3	CAGE CODE -	DRAWING NO C=282106
1 PLC ±-		WEIGHT 6.14g	RESTRICTED TO		
2 PLC ±-		CUSTOMER DRAWING	SCALE 3:1	SHEET 2 OF 2	REV B5
3 PLC ±-					
4 PLC ±-					
ANGLES ± 2°					
MATERIAL - SEE TABLE	FINISH - SEE TABLE				