

4

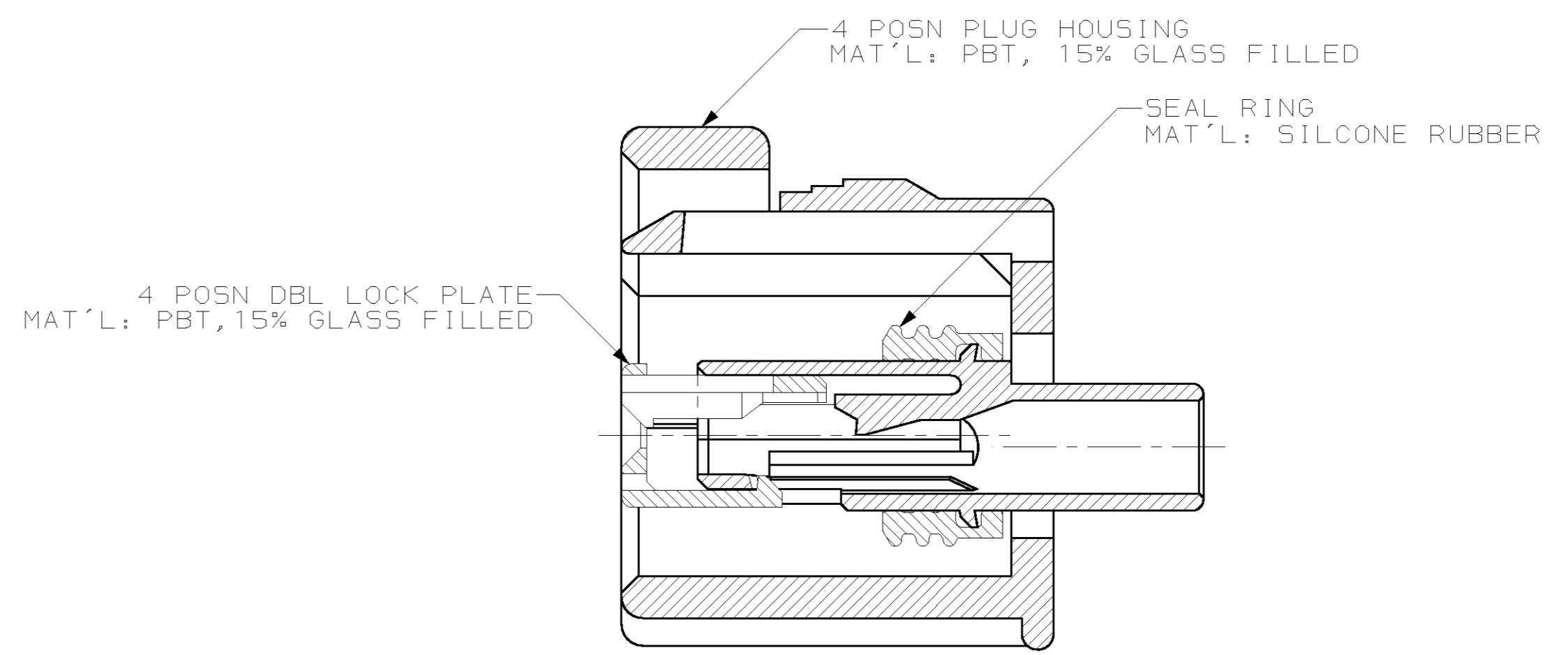
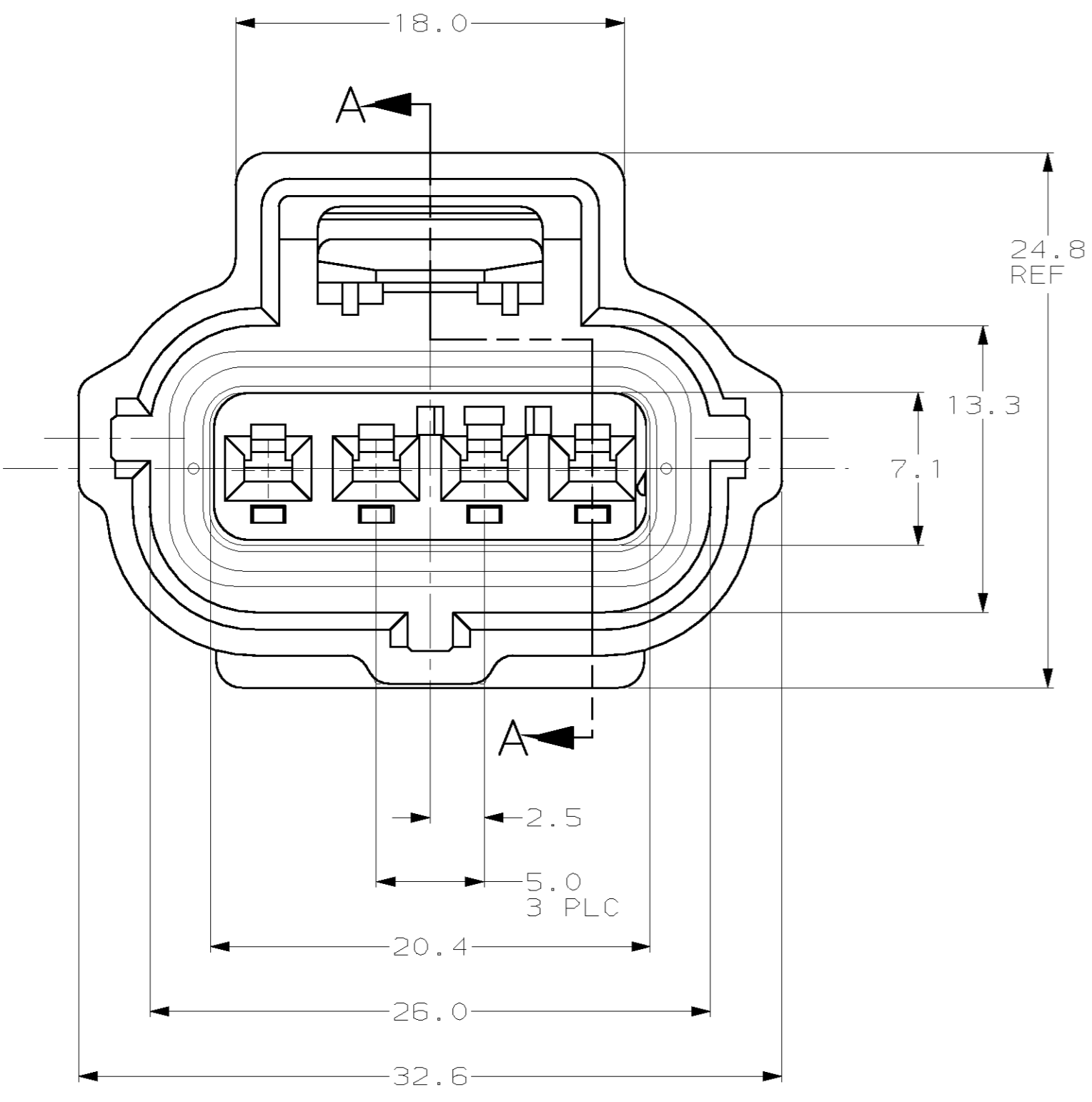
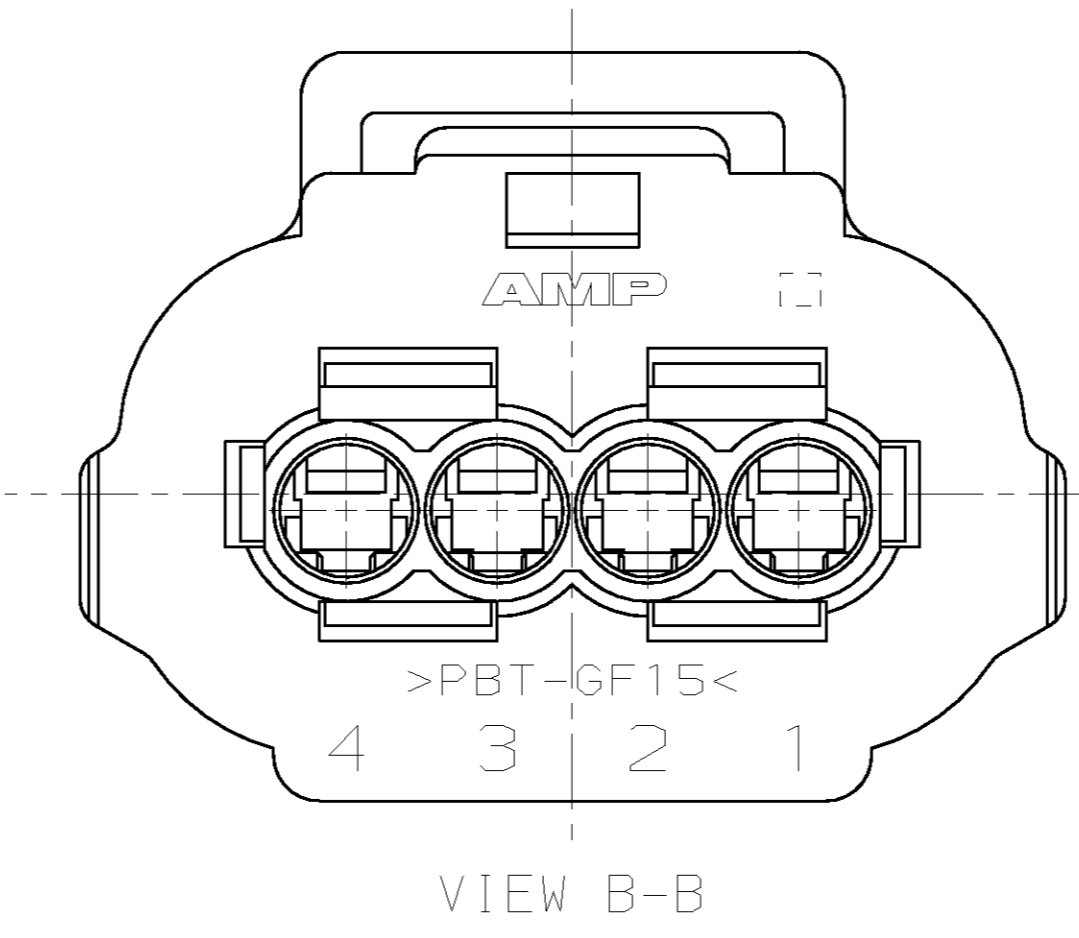
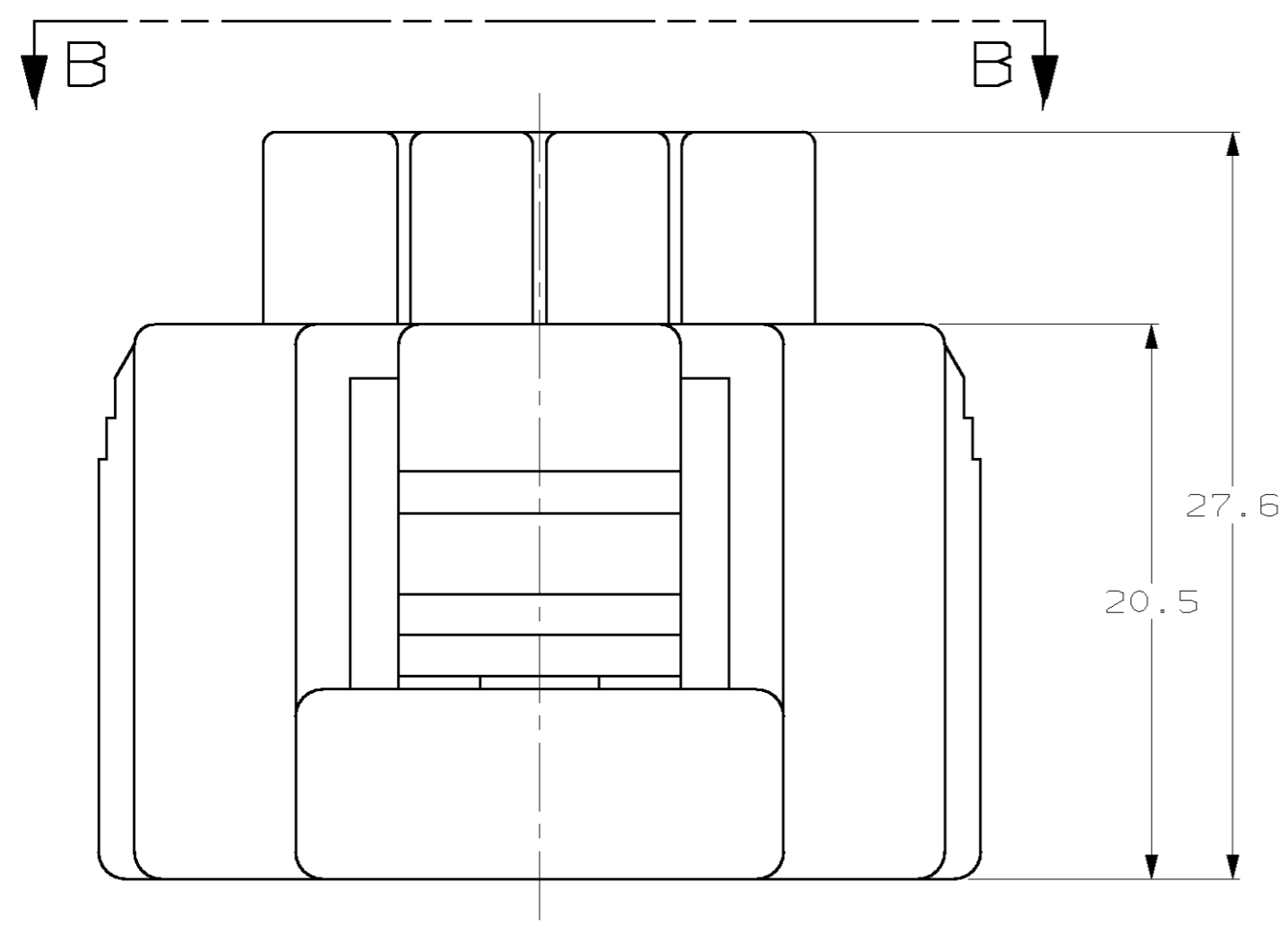
3

2

1

THIS DRAWING IS UNPUBLISHED. RELEASED FOR PUBLICATION .19
 (C) COPYRIGHT 19 BY AMP INCORPORATED. ALL RIGHTS RESERVED.

LOC		DIST		REVISIONS			
P	LTR	DESCRIPTION	DATE	DWN	APVD		
G	16	0	RELEASED, WAS 92-4072-2329-3	03OCT95	KL	E0	
		A	ADD -2, PROP. #99-4072-002	27MAY99	KL	GI	
		B	REV PER EC# 0K40-0138-00	7-7-00	PC	GI	



GRAY	184050-2
BLACK	184050-1
COLOR	PART NUMBER

<small>THIS DRAWING IS A CONTROLLED DOCUMENT FOR AMP INCORPORATED. IT IS SUBJECT TO CHANGE AND THE CONTROLLING ENGINEERING ORGANIZATION SHOULD BE CONTACTED FOR THE LATEST REVISION.</small>		DWN	KD LYTLE	03OCT95	AMP Incorporated Harrisburg, PA 17105-3608
DIMENSIONS:		CHK	E. OSWANDEL	14AUG97	
mm		APVD	E. OSWANDEL	14AUG97	
		PRODUCT SPEC			
TOLERANCES UNLESS OTHERWISE SPECIFIED: 0 PLC ±- 1 PLC ±0.2 2 PLC ±- 3 PLC ±- 4 PLC ±- ANGLES ±- FINISH ±1*		APPLICATION SPEC			
MATERIAL		WEIGHT	A2 00779		SIZE CAGE CODE DRAWING NO A2 00779 C-184050
		CUSTOMER DRAWING	SCALE	4:1	SHEET OF REV 1 1 B

184050

A