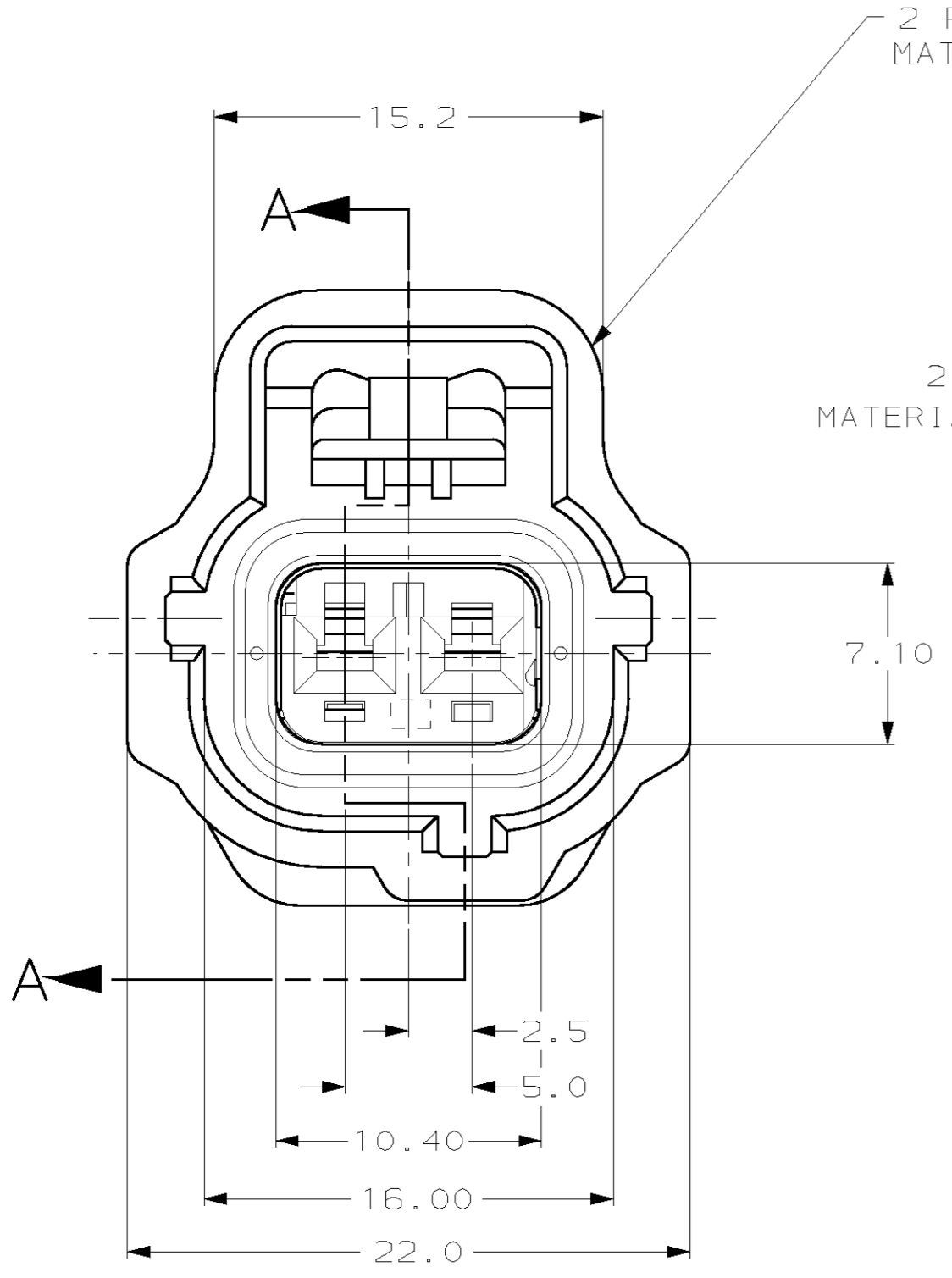
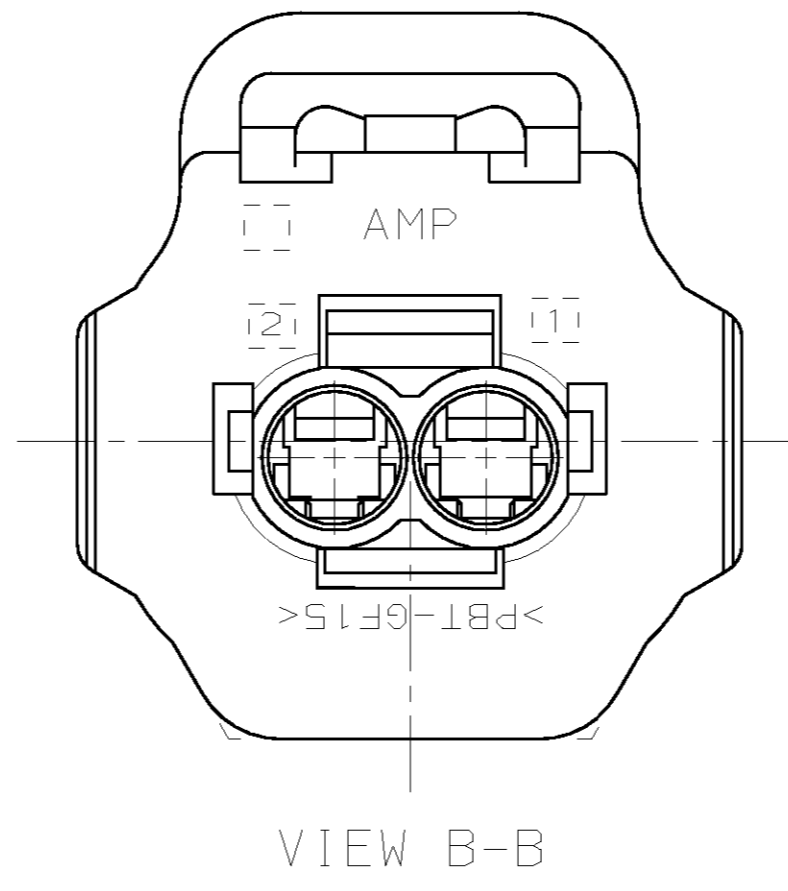
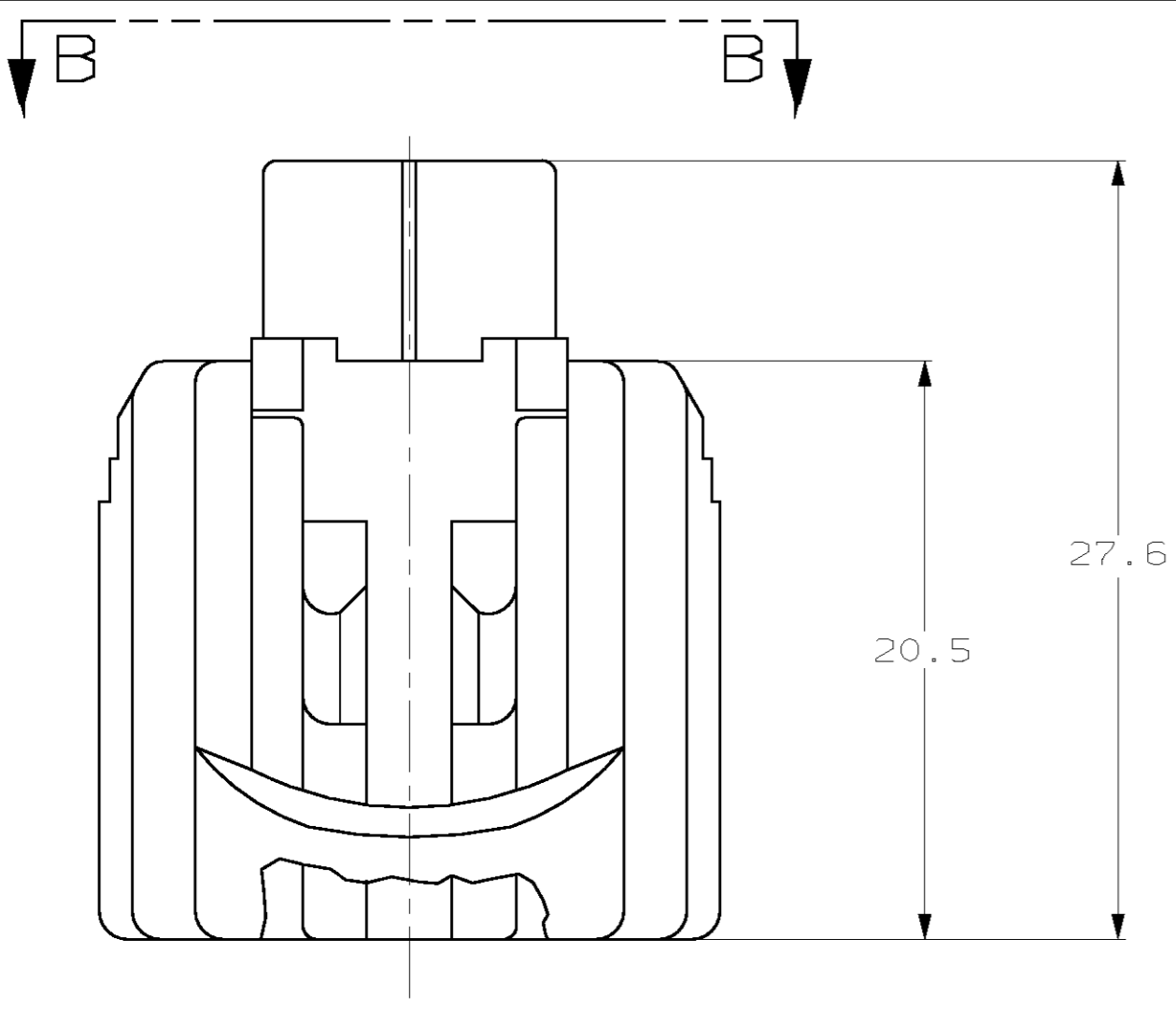


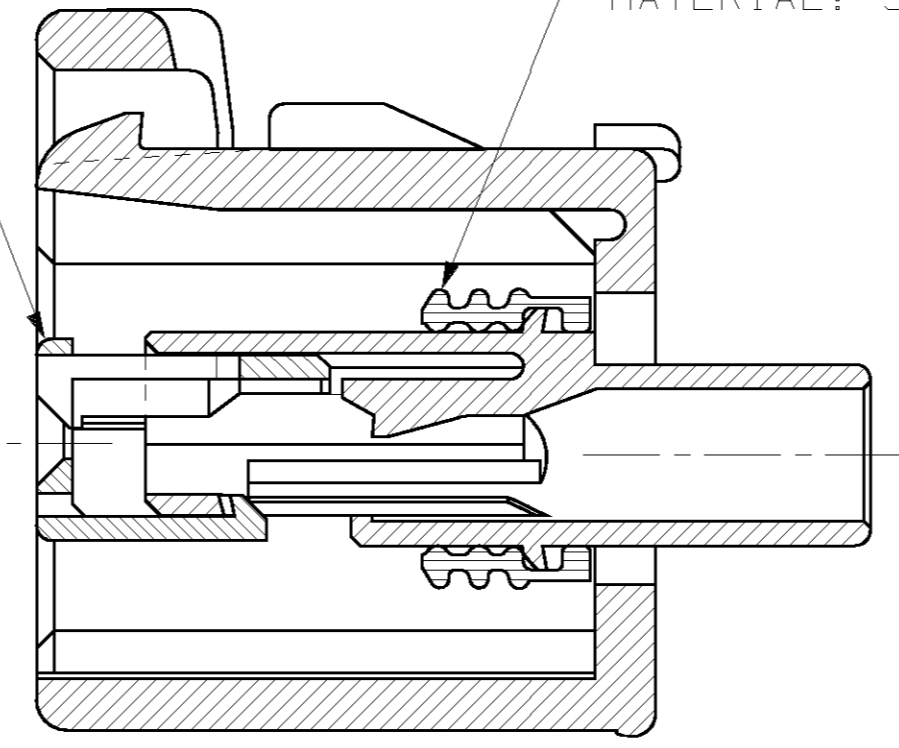
LOC	DIST	REVISIONS					
		P	LTR	DESCRIPTION	DATE	DWN	APVD
G	16			RELEASED, WAS 92-4072-2313-7	-	-	-
				REV PER ECN 0720-0290-94	10/14/94	KDL	JK
				REV PER ECN 0720-0446-94	12/16/94	KW	JK
				REV PER ECN 0720-0466-95	01/23/95	KW	JK
				REV PER ECN 0K50-0003-96	08/13/96	KW	JK
				REV PER EC# 0K40-0140-00	7-10-00	PC	GI



2 POSN PLUG  
 MATERIAL: PBT, 15% GLASS FILLED

2 POSN. DOUBLE LOCK PLATE  
 MATERIAL: PBT, 15% GLASS FILLED

SEAL RING  
 MATERIAL: SILICONE RUBBER



SECTION A-A

KEYING TYPE G

THIS DRAWING IS A CONTROLLED DOCUMENT FOR AMP INCORPORATED. IT IS SUBJECT TO CHANGE AND THE CONTROLLING ENGINEERING ORGANIZATION SHOULD BE CONTACTED FOR THE LATEST REVISION.		DWN	KD LYTLE	3/25/94
		CHK	JP KUNKLE	4/19/94
		APVD		
DIMENSIONS:		PRODUCT SPEC		
mm	TOLERANCES UNLESS OTHERWISE SPECIFIED:	APPLICATION SPEC		
	0 PLC ±-	WEIGHT		
	1 PLC ±0.30	CUSTOMER DRAWING		
	2 PLC ±0.15	SCALE 4:1		
	3 PLC ±-	SHEET 1 OF 1		
	4 PLC ±-	REV E		
	ANGLES ±1°			
	FINISH -			

GRAY	184012-1
PLUG COLOR	PART NO
<b>AMP</b> AMP Incorporated Harrisburg, PA 17105-3608	
1 X 2 PLG ASY KEY G-C3	
SIZE	DRAWING NO
A2	C-184012
CAGE CODE	00779

184012

A