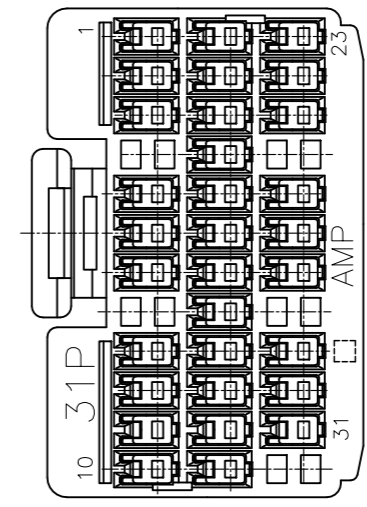
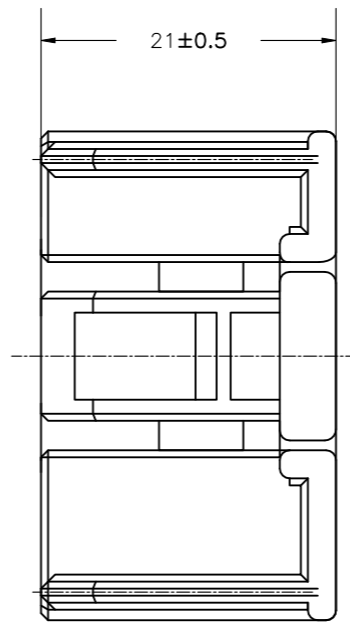
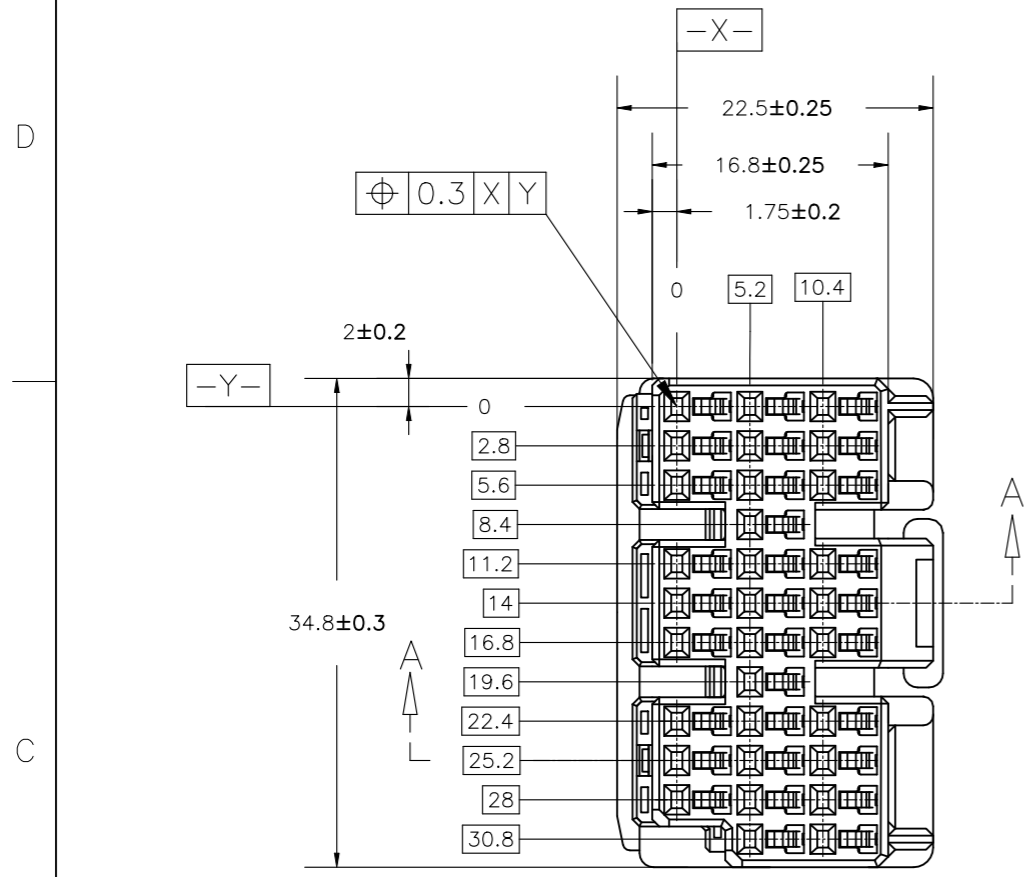
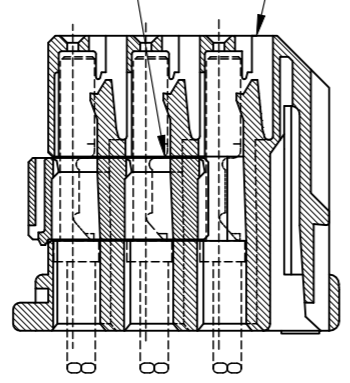


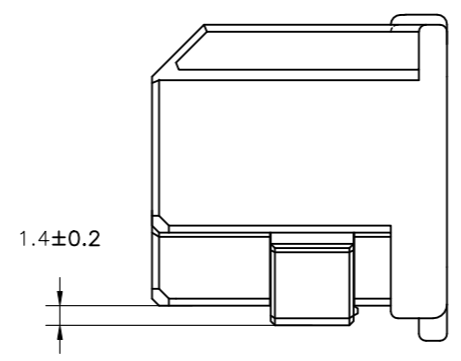
REVISIONS				
P	LTR	DESCRIPTION	DATE	DWN APVD
	C1	REVISE PER ECN-23-224145	04AUG2023	CS MN



DOUBLE LOCK PLATE PLUG HOUSING



SECTION A-A



- NOTES:
1. THE MATING CAP HOUSING PART NUMBER: 179684, 179686
  2. APPLIED CONTACT PART NUMBER: 175265

BLUE	179680-5
COLOR	P/N

THIS DRAWING IS A CONTROLLED DOCUMENT.		DWN J MCNEAL 31JUL1998	TE Connectivity	
DIMENSIONS: mm		CHK R SMITH 31JUL1998		
TOLERANCES UNLESS OTHERWISE SPECIFIED:		APVD R SMITH 31JUL1998	NAME .040II HDH I/O CONNECTOR 31 POSN PLUG ASSY	
		PRODUCT SPEC 108-5441	RESTRICTED TO	
MATERIAL PBT		FINISH -	APPLICATION SPEC -	SIZE A3
		WEIGHT 8.1 GRAMS	CAGE CODE 00779	DRAWING NO 179680
		CUSTOMER DRAWING	SCALE 2:1	SHEET 1 OF 1
			REV C1	