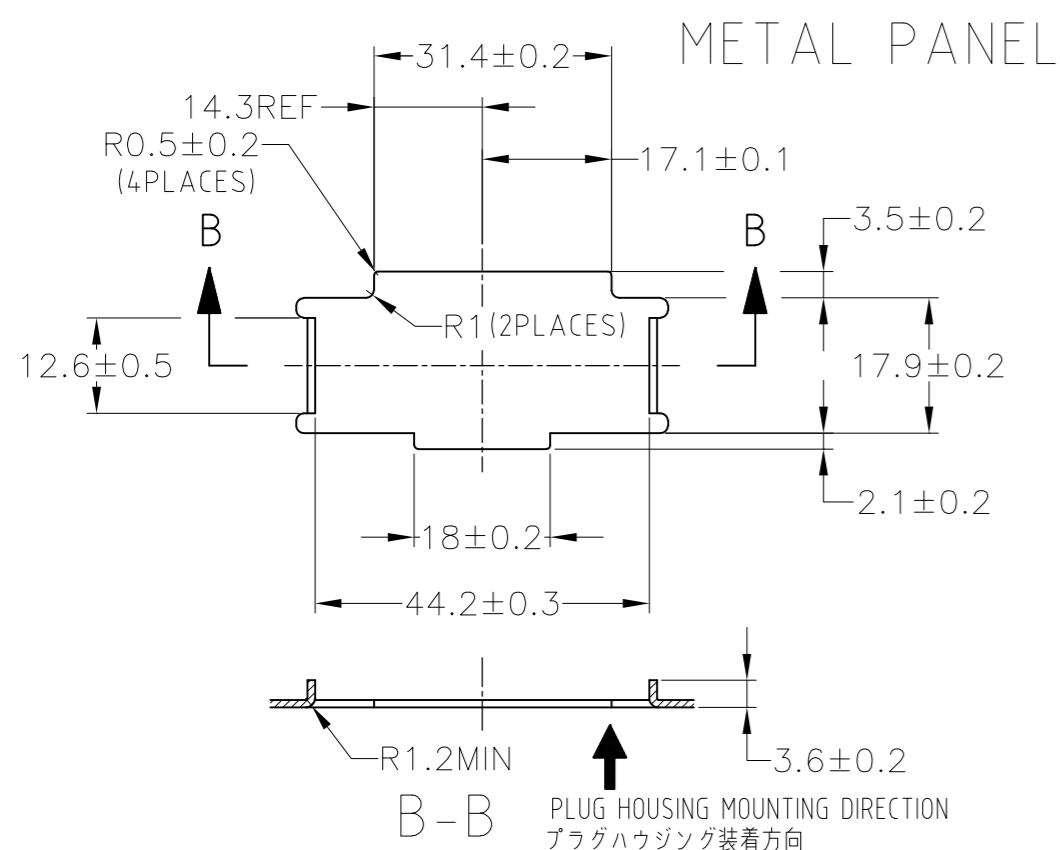
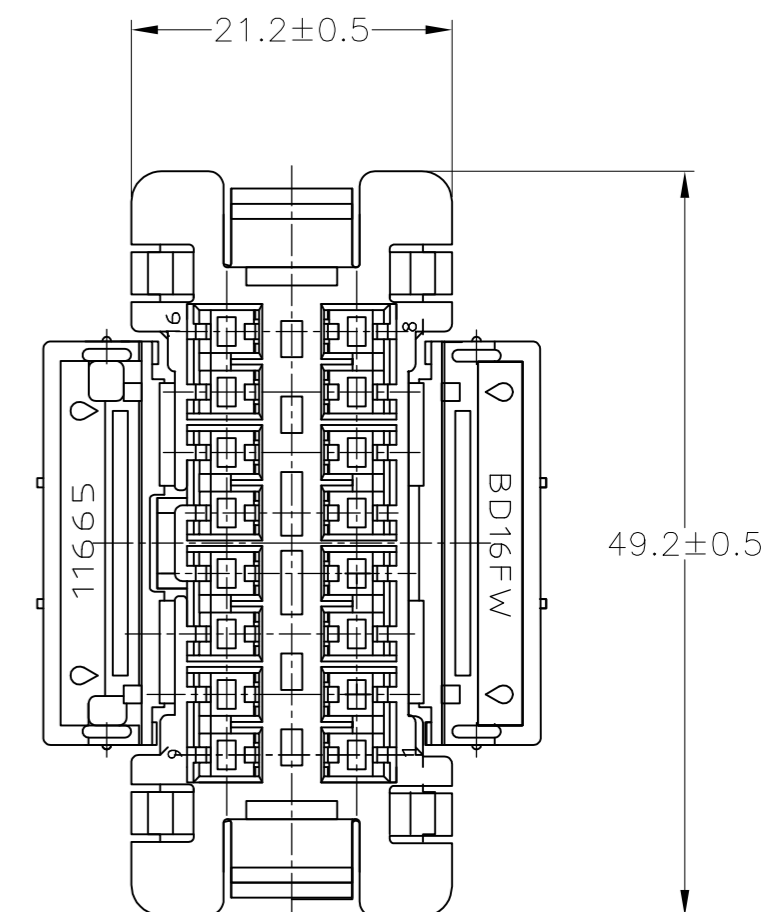
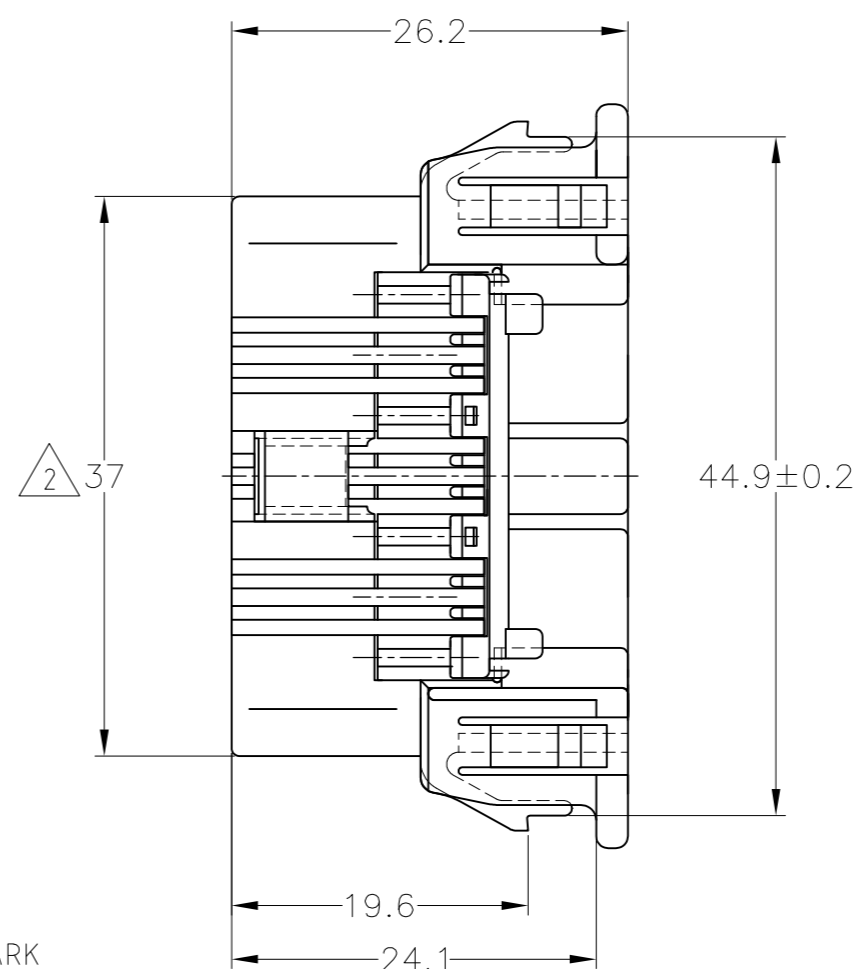
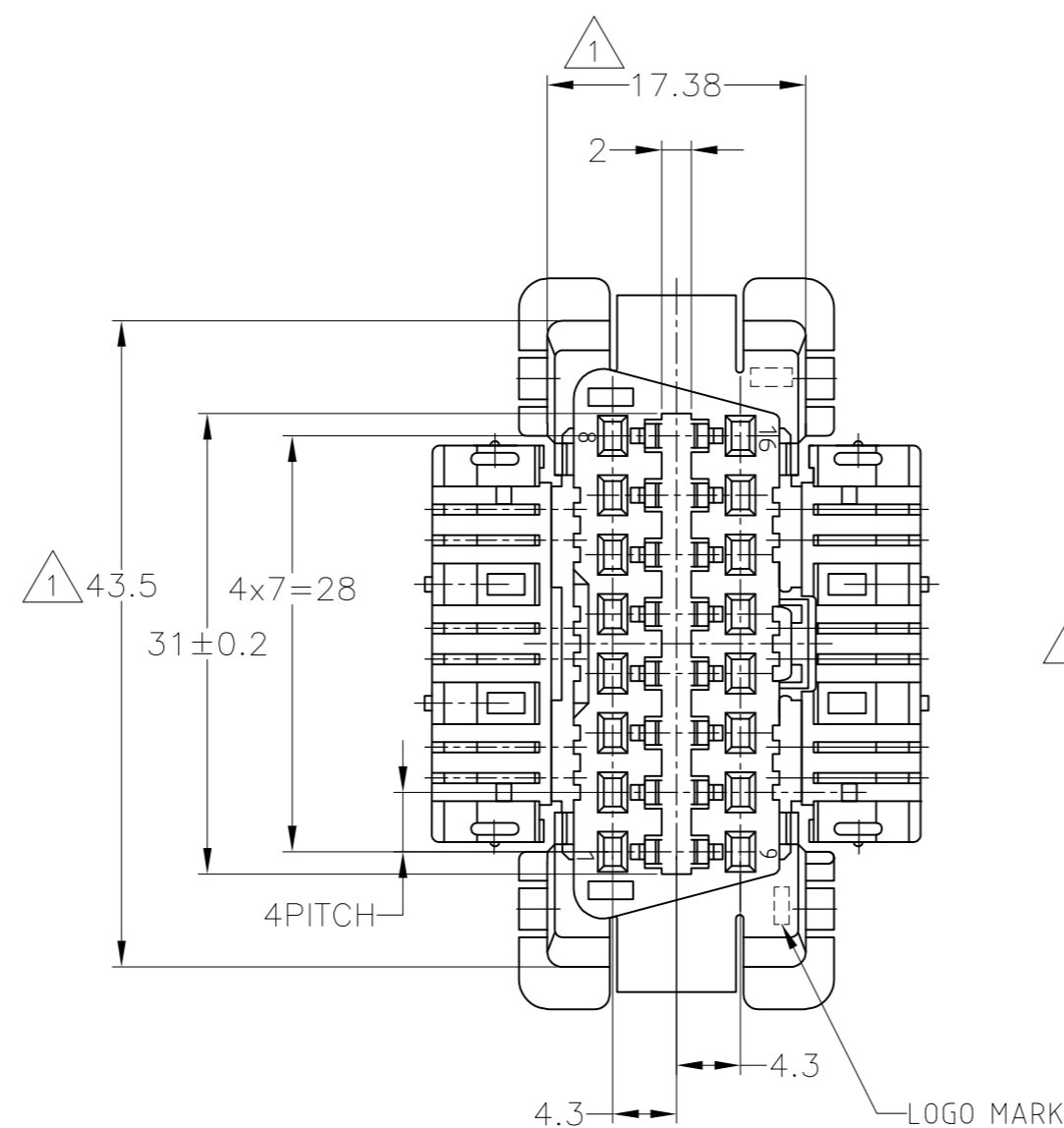


REVISIONS					
P	LTR	DESCRIPTION	DATE	DWN	APVD
C3	REVISED	ECR-19-009512	20JUN2019	DM	HK

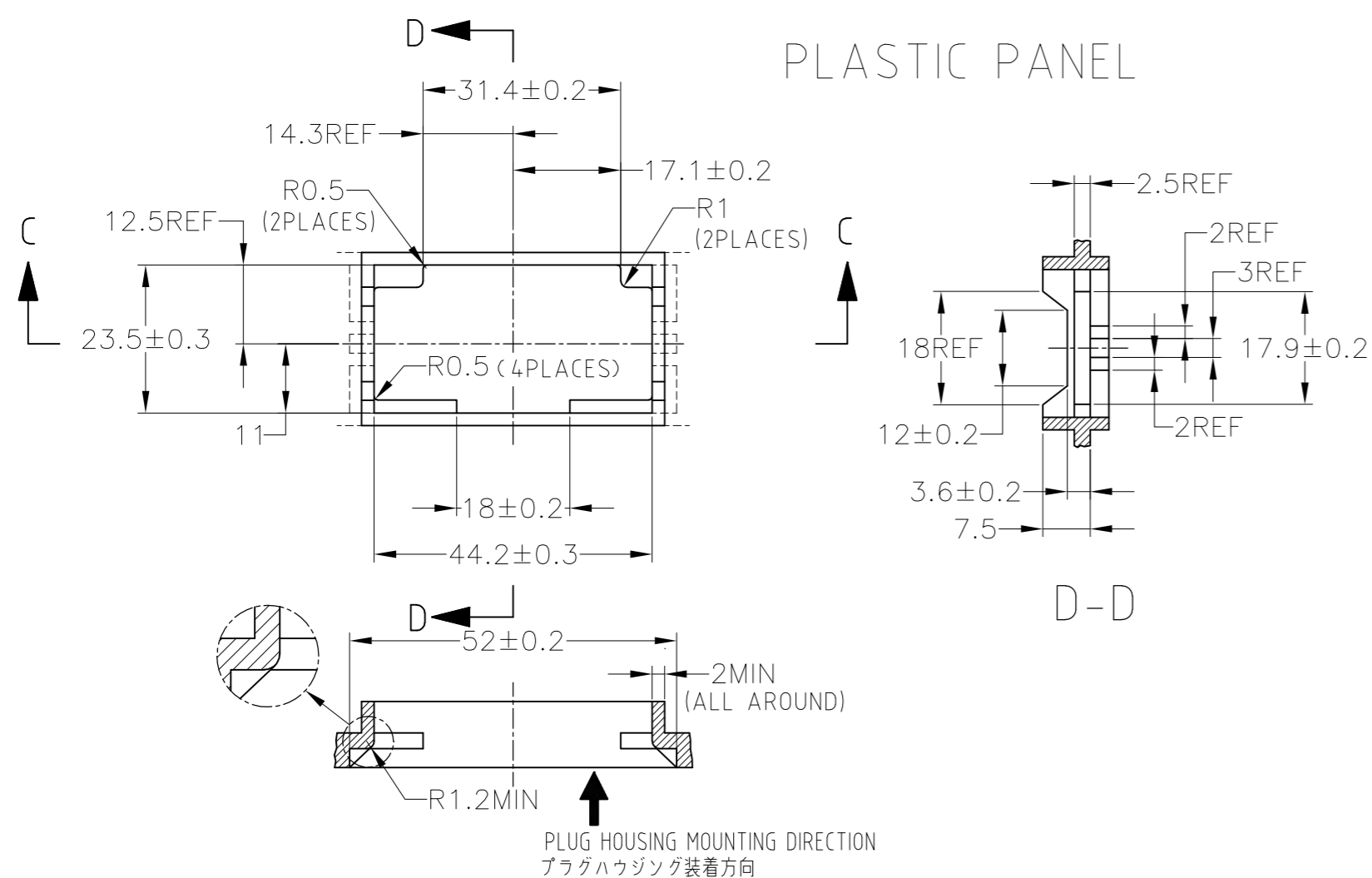
RECOMMENDED PANEL DIMENSIONS



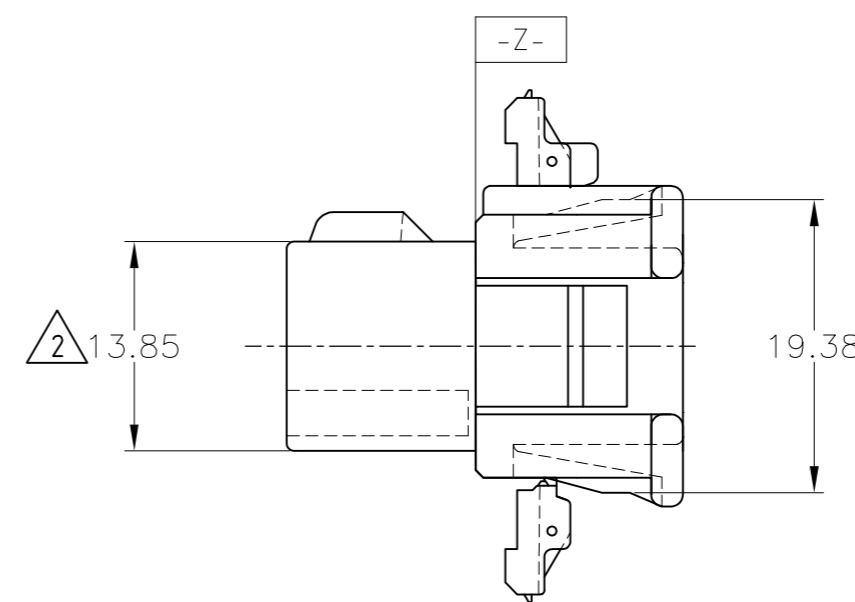
scale 1:1



PLASTIC PANEL



C-C
scale 1:1



- △-Z- 面より2mmの範囲で測定
- △相手ハウジングと所定の機能を満足してかん合出来ること
3内装するリセパタクル コンタクト型番:776001
- △1 TO BE MEASURED BETWEEN -Z- AND 2
- △2 TO BE MATE WITH CAP HOUSING SMOOTHLY
3 APPLIED RECEPTACLE CONTACT PART NUMBER:776001

BLACK	16POSITION PLUG HOUSING	179631-2
WHITE	16POSITION PLUG HOUSING	179631-1
色	名称	型番
COLOR	NAME	PART NUMBER

THIS DRAWING IS A CONTROLLED DOCUMENT.		DWN T.Minematsu	09JUN00	TE Connectivity	
DIMENSIONS: mm		CHK -	-	16POSITION PLUG HOUSING DIAGNOSTIC CONNECTOR	
TOLERANCES UNLESS OTHERWISE SPECIFIED: 一般公差		APVD M.TSUKAKOSHI	09JUN00	NAME	
0 PLC ±		PRODUCT SPEC	108-5637	DRAWING NO	
1 PLC ±		APPLICATION SPEC	-	SIZE	CAGE CODE
2 PLC ±		WEIGHT	11g	A2	00779
3 PLC ±		MATERIAL	PBT	SCALE	2:1
4 PLC ±		FINISH	-	SHEET	1 of 1
ANGLES ±		CUSTOMER DRAWING	-	REV	C3
RESTRICTED TO					