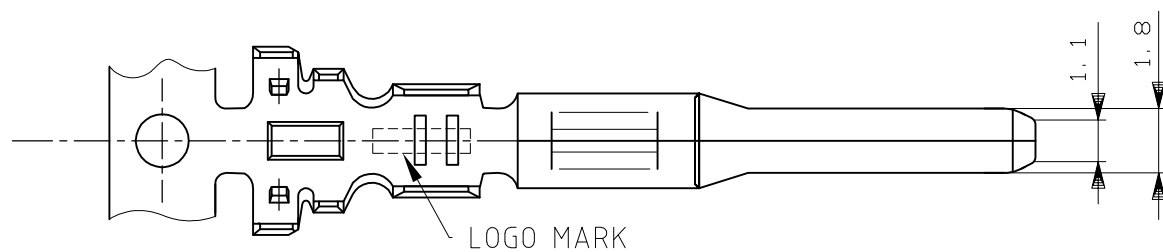


THIS DRAWING IS UNPUBLISHED. RELEASED FOR PUBLICATION JAN, 2018.

© COPYRIGHT 2015 By Tyco Electronics Japan G.K. ALL RIGHTS RESERVED.

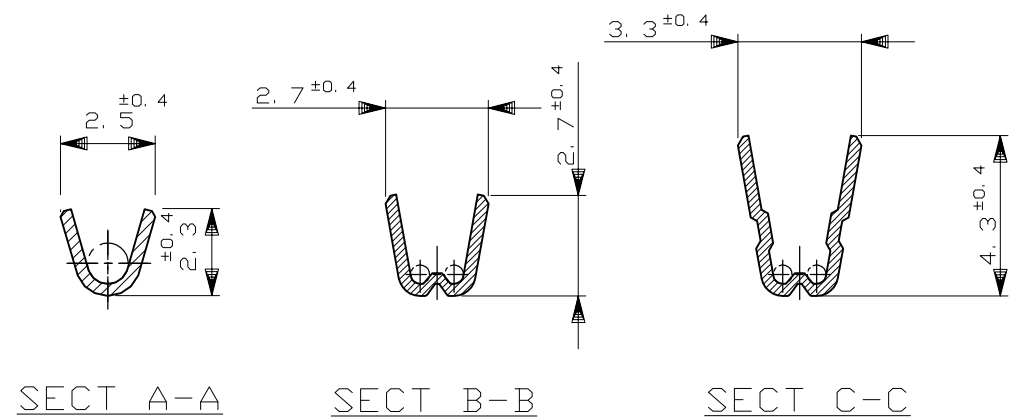
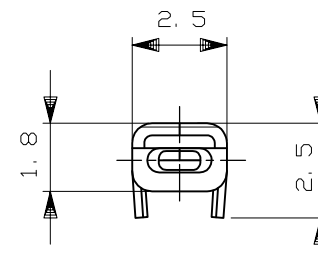
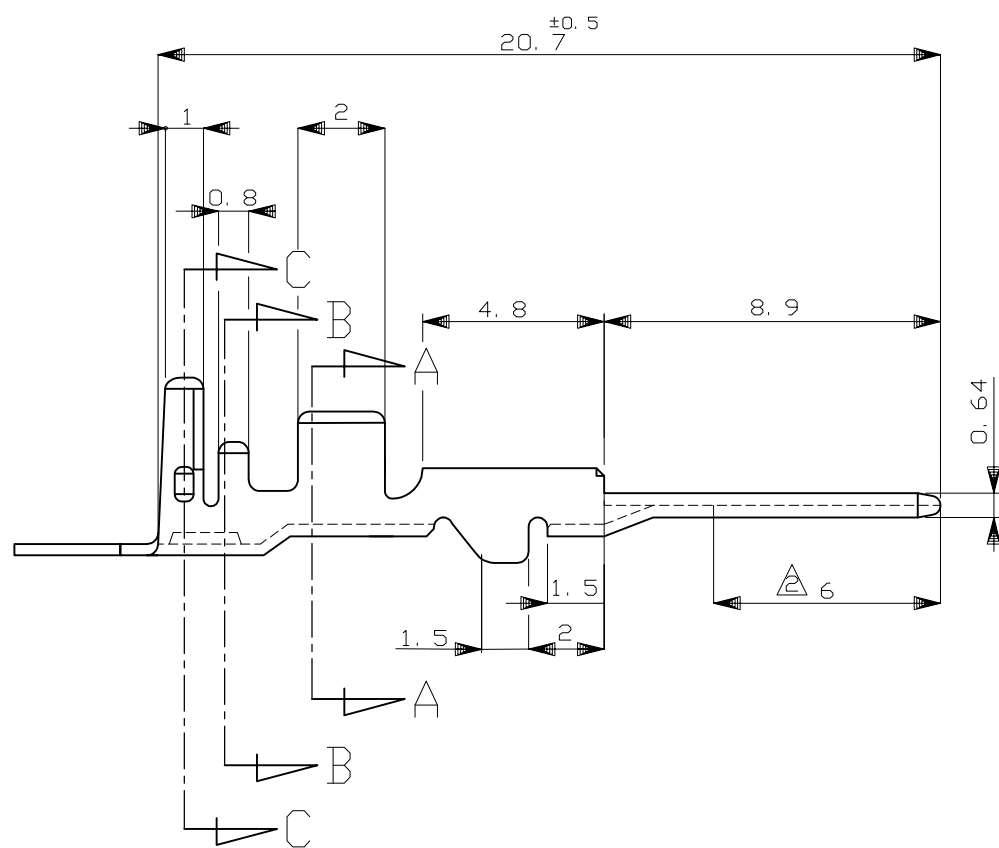
REVISIONS

P	LTR	DESCRIPTION	DATE	DWN	APVD
	E	REVISED	26JAN2018	YN	TK



① 嵌合相手端子型番 ; 175124他
 ② 部分金めっき 他はニッケルめっき

① RECEPTACLE CONTACT ; 175124 etc
 ② SELECTIVE GOLD PLATING, REMAINDER NICKEL PLATING.



OBSOLETE	SELECTIVE GOLD PLATED	BRASS +0.32	175207-2 ②
	PRE-TINNED	BRASS +0.32	175207-1
	FINISH	MATERIAL	PART NUMBER

THIS DRAWING IS A CONTROLLED DOCUMENT.

DIMENSIONS: mm	TOLERANCES UNLESS OTHERWISE SPECIFIED:
	0 PLC ± - 1 PLC ± - 2 PLC ± - 3 PLC ± - 4 PLC ± - ANGLES ± -
MATERIAL SEE TABLE	FINISH SEE TABLE

TOLERANCE UNLESS OTHERWISE SPECIFIED: 一般公差	
0 < x ≤ 10	: ±0.2
10 < x ≤ 30	: ±0.25
30 < x ≤ 100	: ±0.3
ANGLE ; 角度	: ±3°

WIRE RANGE 0.3~0.5 mm ² (AWG#22~20)	INSULATION DIA 1.0~1.5 mmφ
--	-------------------------------

DWN Y.FUJIMORI 5/31'91	TE Connectivity Ltd. 070 SERIES TAB CONTACT				
CHK K.AOYAMA 5/31'91					
APVD M.OHSHIMA 5/31'91					
PRODUCT SPEC					
APPLICATION SPEC	NAME	SIZE	CAGE CODE	DRAWING NO	RESTRICTED TO
—	—	A3	00779	C-175207	—
WEIGHT 0.3 g	CUSTOMER DRAWING	SCALE 5:1	SHEET 1 OF 1	REV E	