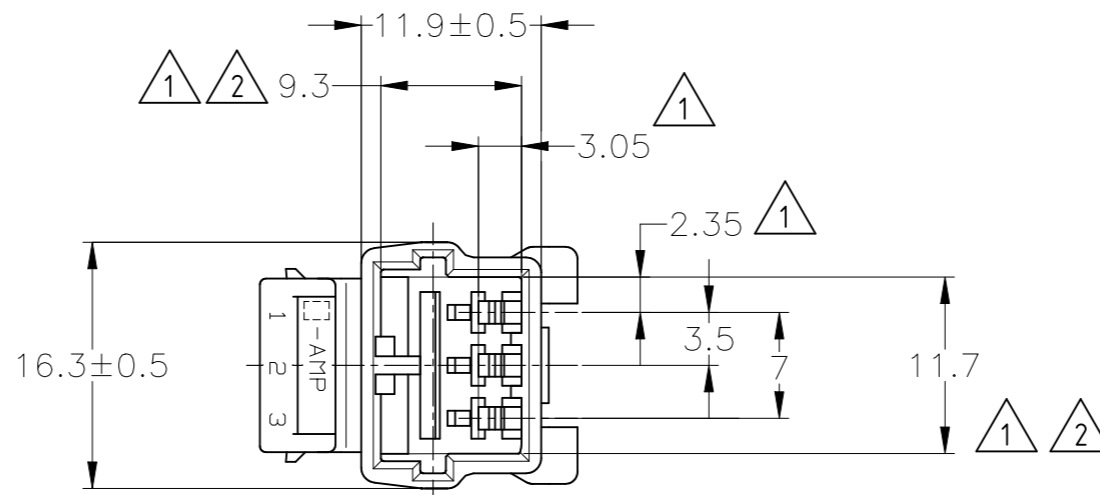
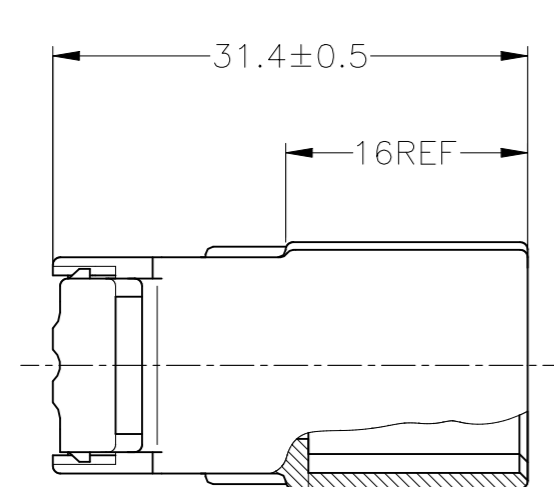
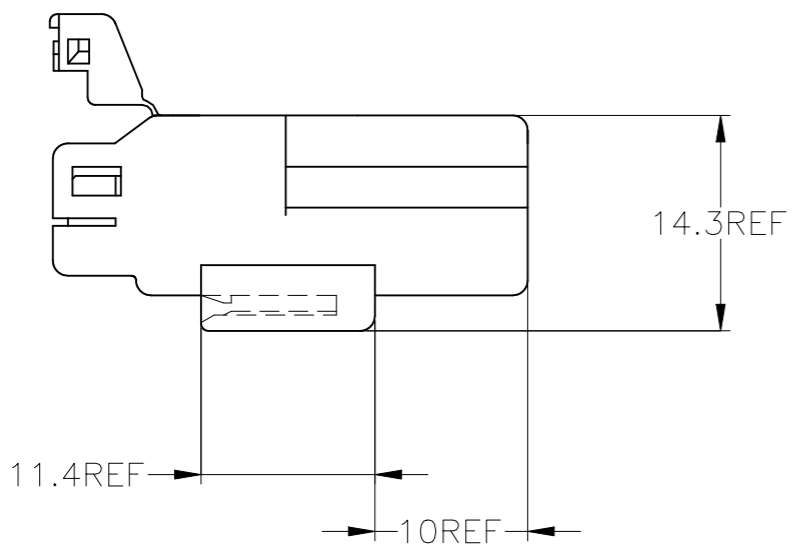


REVISIONS					
P	LTR	DESCRIPTION	DATE	DWN	APVD
	C3	REVISED	ECR-23-185274	13SEP2023	AG RK



1. MUST BE KEPT BETWEEN **-A-** AND 2
2. TO BE MATED WITH PLUG HOUSING SMOOTHLY
3. APPLIED TAB CONTACT; P/N 173633 AND 173645
4. APPLIED PLUG HOUSING; P/N 174921 etc

1. **-A-** 面より2mmの範囲で測定
2. 相手ハウジングと所定の昨日を満足して嵌合できること
3. 内装するリセプタクルコンタクトは型番173633、173645
4. 嵌合相手ハウジング型番174921 他



OBSOLETE

V-2	白 (WHITE)	1-174928-1
HB	黄 (YELLOW)	174928-7
	灰 (GRAY)	174928-6
	青 (BLUE)	174928-5
	緑 (GREEN)	174928-4
	黒 (BLACK)	174928-2
	白 (WHITE)	174928-1
使用材料難燃グレード (FLAMMABILITY OF MATERIAL)		色 (COLOR)
		型番 (PART NUMBER)

THIS DRAWING IS A CONTROLLED DOCUMENT.

DIMENSIONS:	TOLERANCES UNLESS OTHERWISE SPECIFIED:
mm	
	0 PLC ± -
	1 PLC ± -
	2 PLC ± -
	3 PLC ± -
	4 PLC ± -
	ANGLES ± -
	FINISH ± -

TOLERANCES UNLESS OTHERWISE SPECIFIED:	
一般公差	
10 _±	: ±0.2
30 _±	> 10 : ±0.25
	> 30 : ±0.3
	ANGLE : ±3°

MATERIAL	PBT
----------	-----

DWN	S.FUJITA	05DEC08	 TE Connectivity
CHK	K.BETSUI	05DEC08	
APVD	K.BETSUI	05DEC08	
PRODUCT SPEC	NAME		
APPLICATION SPEC			070 SERIES MULTILOCK I/O CONNECTOR 3POSITION HOUSING WIRE TO WIRE
WEIGHT	0.000000	A3	RESTRICTED TO
CUSTOMER DRAWING		CAGE CODE	00779
		DRAWING NO	C-174928
		SCALE	2:1
		SHEET	1 OF 1
		REV	C3