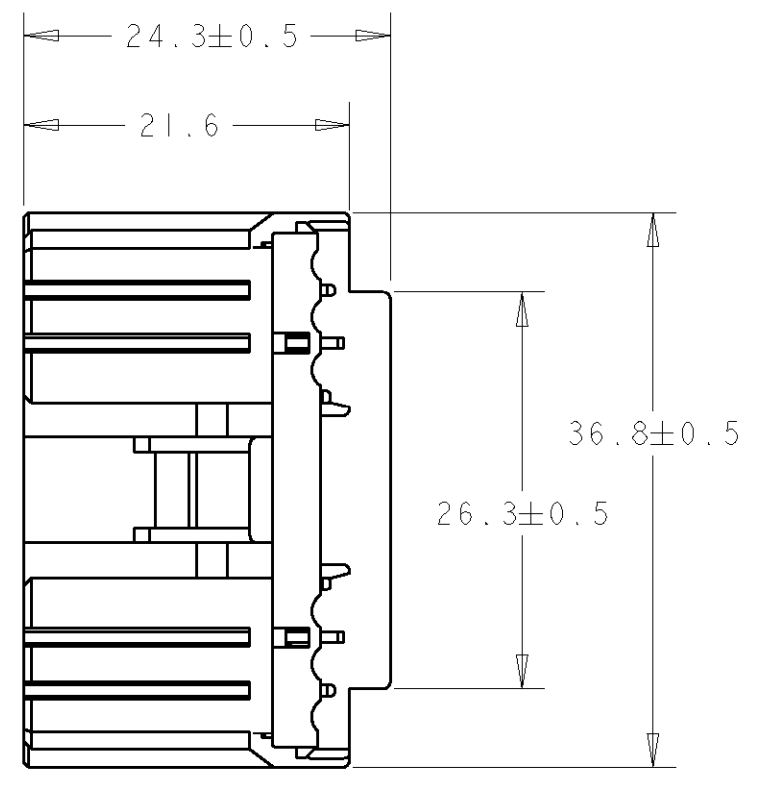
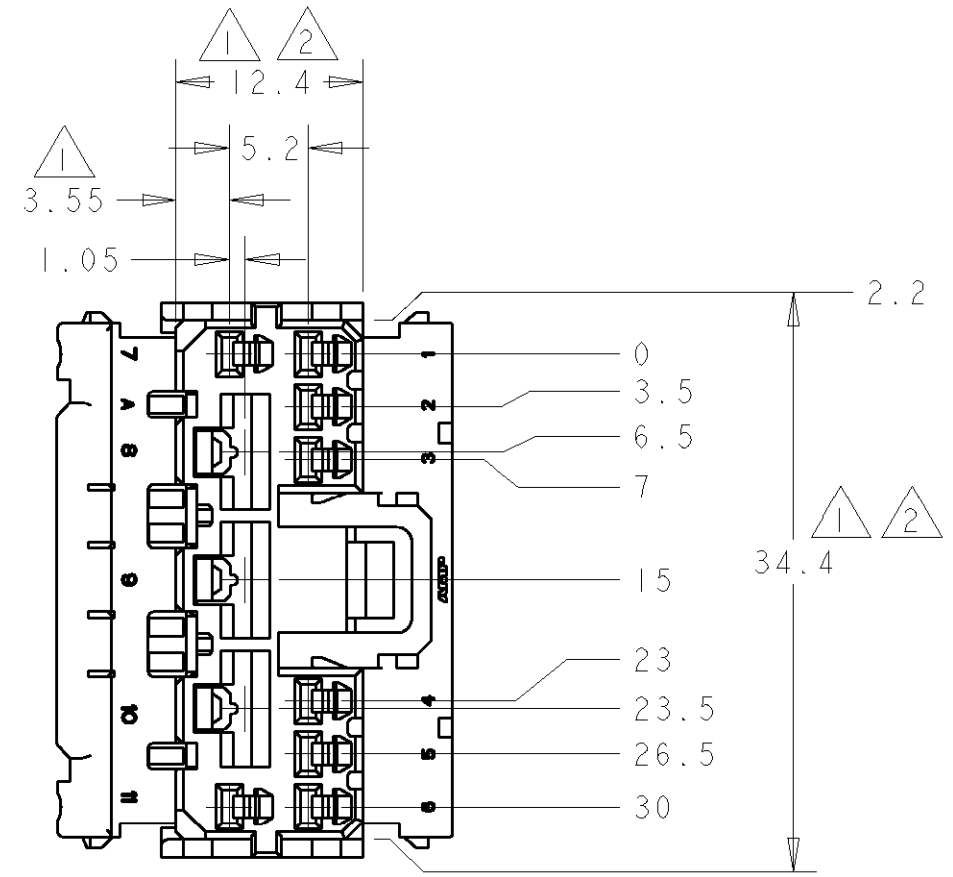


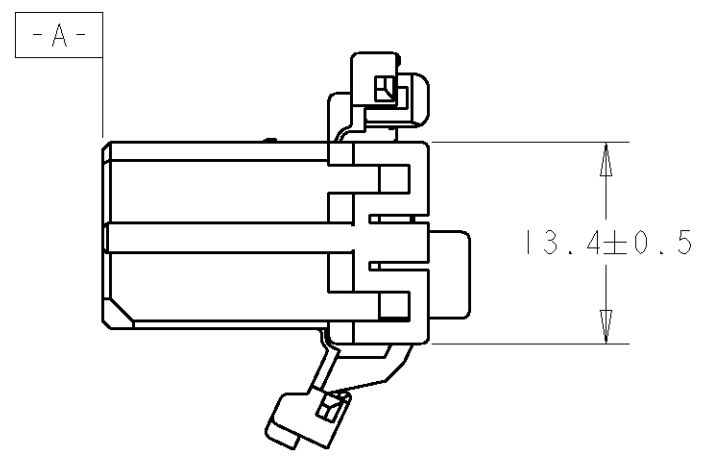
THIS DRAWING IS UNPUBLISHED. RELEASED FOR PUBLICATION 20
 © COPYRIGHT 20 BY TYCO ELECTRONICS CORPORATION. ALL RIGHTS RESERVED.

LOC	DIST	REVISIONS			
P	LTR	DESCRIPTION	DATE	DWN	APVD
FX	00	C	REFORMAT AND RELEASED -2 PER 0K80-0203-01	27AUG2001	AH SA



- 1 TO BE MEASURED BETWEEN -A- AND 2.
- 2 TO BE MATE WITH CAP HOUSING SMOOTHLY.
- 3. APPLIED RECEPTACLE CONTACT PART NUMBERS
 .070 SERIES: 173630, 173631
 .250 SERIES: 170032, 170258, 170384.
- 4 GENERAL TOLERANCES UNLESS OTHERWISE SPECIFIED:

0 < 10	: 0.2
10 < 30	: 0.25
30 < 100	: 0.3



BLUE	174925-5
GREEN	174925-4
BLACK	174925-2
WHITE	174925-1
COLOR	PART NO.

<small>THIS DRAWING IS A CONTROLLED DOCUMENT FOR TYCO ELECTRONICS CORPORATION IT IS SUBJECT TO CHANGE AND THE CONTROLLING ENGINEERING ORGANIZATION SHOULD BE CONTACTED FOR THE LATEST REVISION.</small>		DWN A.HOLT 27AUG2001 CHK S.ASHLEY 27AUG2001 APVD S.ASHLEY 27AUG2001		tyco Tyco Electronics Electronics Harrisburg, PA 17105-3608	
DIMENSIONS: mm		TOLERANCES UNLESS OTHERWISE SPECIFIED: 0 PLC ±- 1 PLC ±- 2 PLC ±- 3 PLC ±- 4 PLC ±- ANGLES ±3°		NAME HOUSING, PLUG, 11 POSITION, .070/.250 HYBRID CONNECTOR	
MATERIAL PBT FINISH -		PRODUCT SPEC - APPLICATION SPEC - WEIGHT -		SIZE A3 CAGE CODE 00779 DRAWING NO C-174925 RESTRICTED TO -	
CUSTOMER DRAWING				SCALE 2:1 SHEET 1 OF 1 REV C	