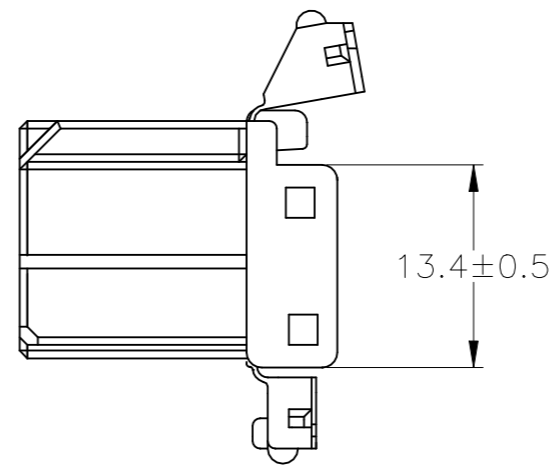
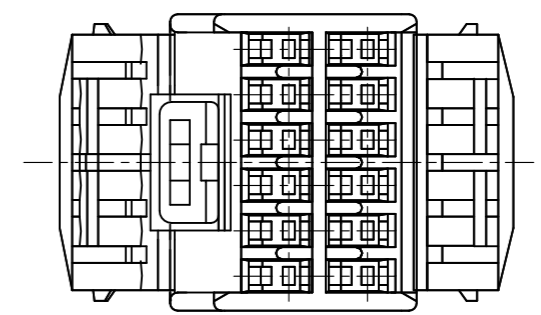
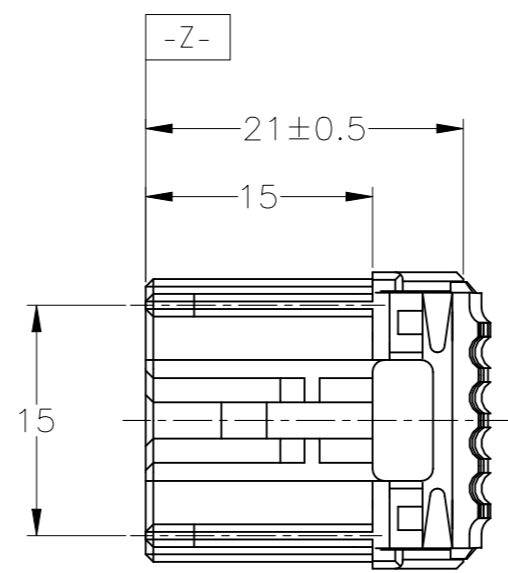
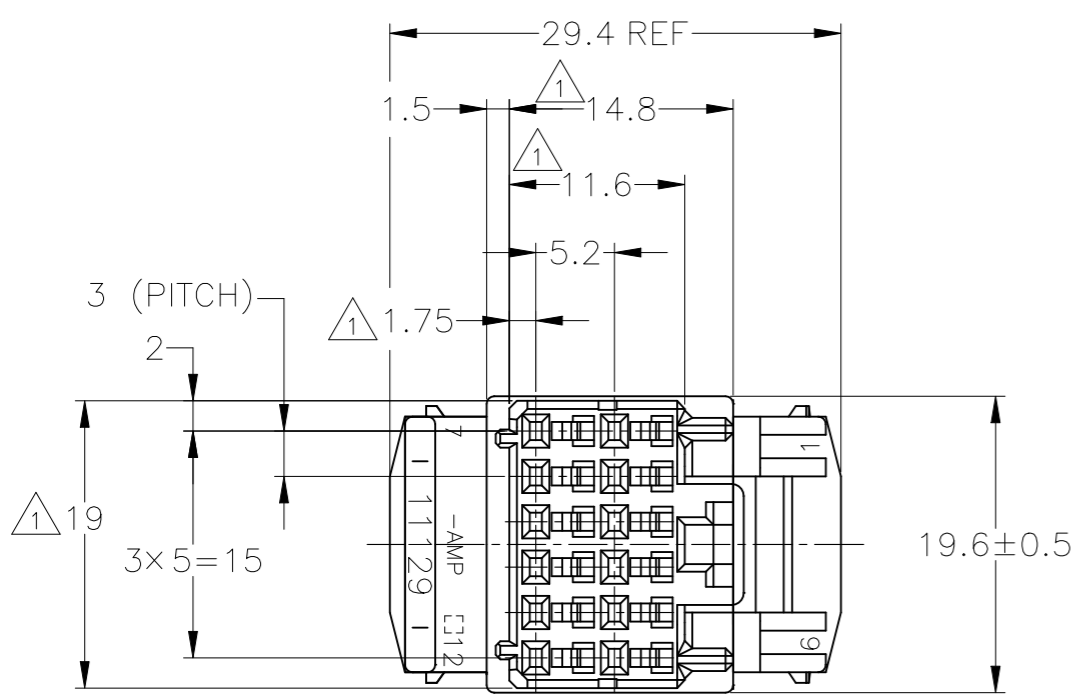


REVISIONS 変更					
P	LTR	DESCRIPTION	DATE	DWN	APVD
E3		REVISED ECR-10-017285	06SEP10	TS	KB
E4		REVISED PER ECR-22-154022	23NOV2022	RK	MT



- 1. MUST BE KEPT BETWEEN [-Z-] AND 2mm
- 2. THE MATING CAP HOUSING PART NUMBER; 174915
- 3. APPLIED CONTACT PART NUMBER; 173716, 175094
- 4. APPLICABLE PRODUCT SPEC NO. 108-5280

- 1. [-Z-] 面より 2mm の範囲で測定。
- 2. 嵌合相手ハウジング型番; 174915
- 3. 内装するリセプタクルコンタクト型番; 173716, 175094
- 4. 適用製品規格番号; 108-5280

OBSOLETE	淡灰色 LIGHT GRAY	6-174913-6
	黄色 YELLOW	174913-7
	灰色 GRAY	174913-6
OBSOLETE	黒色 BLACK	174913-2
	白色 WHITE	174913-1
	色 COLOR	PART NUMBER

TOLERANCE UNLESS OTHERWISE SPECIFIED: 一般公差	
0 < x ≤ 10	: ±0.2
10 < x ≤ 30	: ±0.25
30 < x ≤ 100	: ±0.3
ANGLE ; 角度	: ±3°

THIS DRAWING IS A CONTROLLED DOCUMENT.	
DIMENSIONS: 単位: 耗 mm	TOLERANCES UNLESS OTHERWISE SPECIFIED: 一般公差
	0 PLC ± - 1 PLC ± - 2 PLC ± - 3 PLC ± - 4 PLC ± - ANGLES ± -
MATERIAL 材料 PBT	FINISH 仕上 SEE TABLE

DWN T.SHINOHARA 25JUN03	NAME 名称 12POSITION PLUG HOUSING HYBRID I/O CONNECTOR	
CHK K.BETSUI 25JUN03		
APVD K.BETSUI 25JUN03		
PRODUCT SPEC 製品規格 SEE NOTE 4		
APPLICATION SPEC 取付適用規格	SIZE	
WEIGHT 4.04 g	CAGE CODE A300779	
CUSTOMER DRAWING		DRAWING NO 番号 G-174913
		RESTRICTED TO —

TE Connectivity		SCALE 尺度 2:1	SHEET 1 OF 1	REV E4
-----------------	--	--------------------	-----------------	-----------