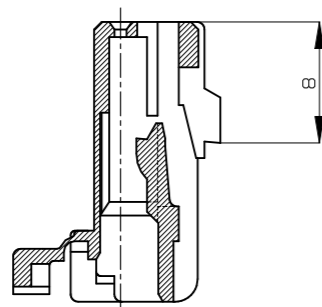
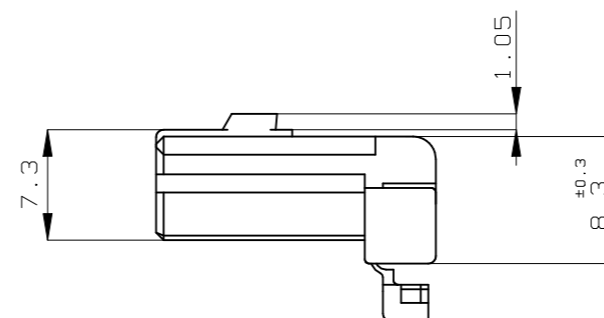
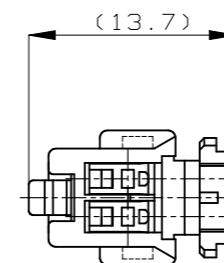
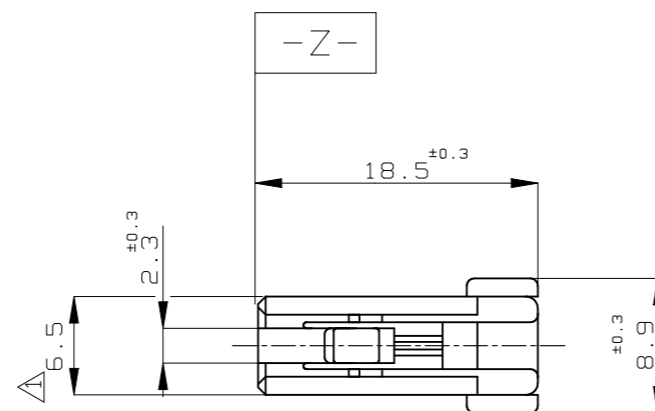
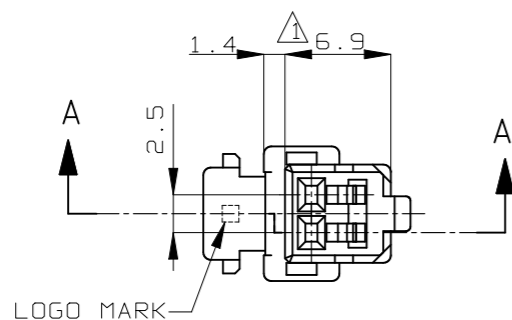
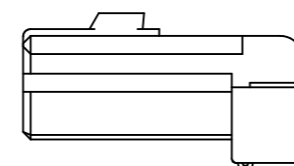


REVISIONS

P	LTR	DESCRIPTION	DATE	DWN	APVD
	C4	REVISED PER ECR-22-153250	31OCT2022	RK	MT



A-A



二重ロック時
DOUBLE LOCKED

- △ TO BE MEASURED WITHIN 2mm FROM **-Z-**
- 2. APPLICABLE CONTACT PART NUMBER: 173681, 175180
- 3. THE MATING CAP HOUSING PART NUMBER: 174057

- △ **-Z-** 面から2mmの範囲で測定
- 2. 適用端子型番: 173681, 175180
- 3. 嵌合相手ハウジング型番: 174057

OBSOLETE	FJPI-174056-8	緑 (GREEN)	174056-8
	FJPI-174056-7	黒 (BLACK)	174056-7
	FJPI-174056-5	青 (BLUE)	174056-5
	FJPI-174056-4	緑 (GREEN)	174056-4
	FJPI-174056-2	黒 (BLACK)	174056-2
PACKING INSTRUCTION NUMBER (梱包仕様書番号)		色 (COLOR)	製品型番 (PART NUMBER)

TOLERANCE UNLESS OTHERWISE SPECIFIED:
一般公差

0 < x ≤ 10	: ±0.2
10 < x ≤ 30	: ±0.25
30 < x ≤ 100	: ±0.3
ANGLE ; 角度	: ±3°

THIS DRAWING IS A CONTROLLED DOCUMENT.

DIMENSIONS: 単位: 耗 mm	TOLERANCES UNLESS OTHERWISE SPECIFIED: 一般公差
	0 PLC ± -
	1 PLC ± -
	2 PLC ± -
	3 PLC ± -
	4 PLC ± -
ANGLES ± -	± -
MATERIAL 材料 PBT	FINISH 仕上 -

DWN M.SUGAWARA	02AUG06
CHK K.BETSUI	02AUG06
APVD K.BETSUI	02AUG06
PRODUCT SPEC 製品規格 108-5352	
APPLICATION SPEC 取付適用規格	
WEIGHT	-

TE Connectivity			
2POSITION PLUG HOUSING 040SERIES MULTI-LOCK CONNECTOR			
SIZE	CAGE CODE	DRAWING NO 番号	RESTRICTED TO
A3	00779	C-174056	-
CUSTOMER DRAWING		SCALE 尺度 2:1	SHEET 1 OF 1
		REV C4	