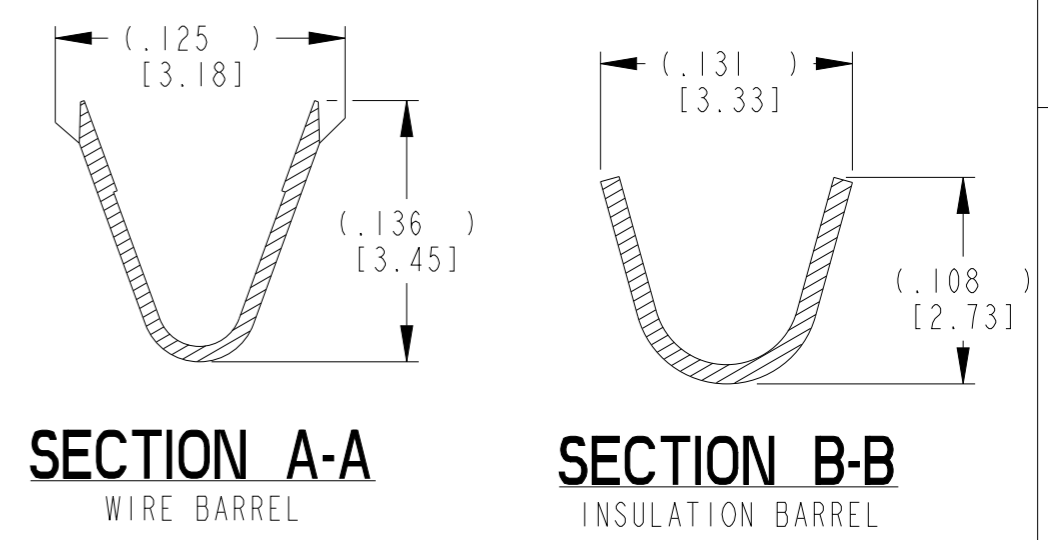
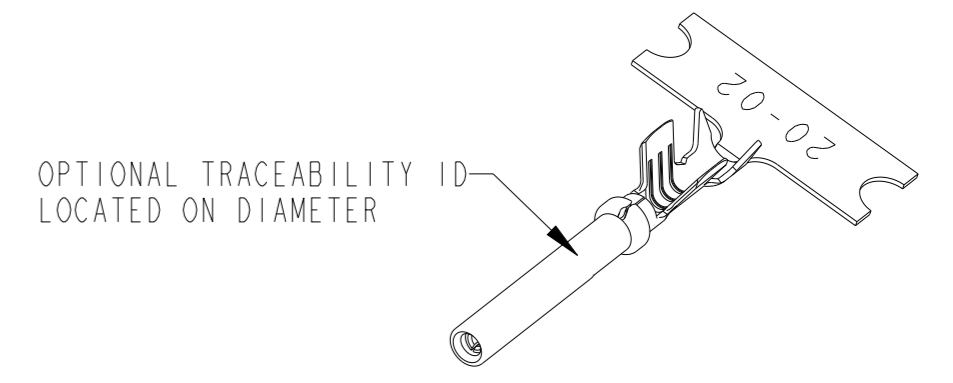
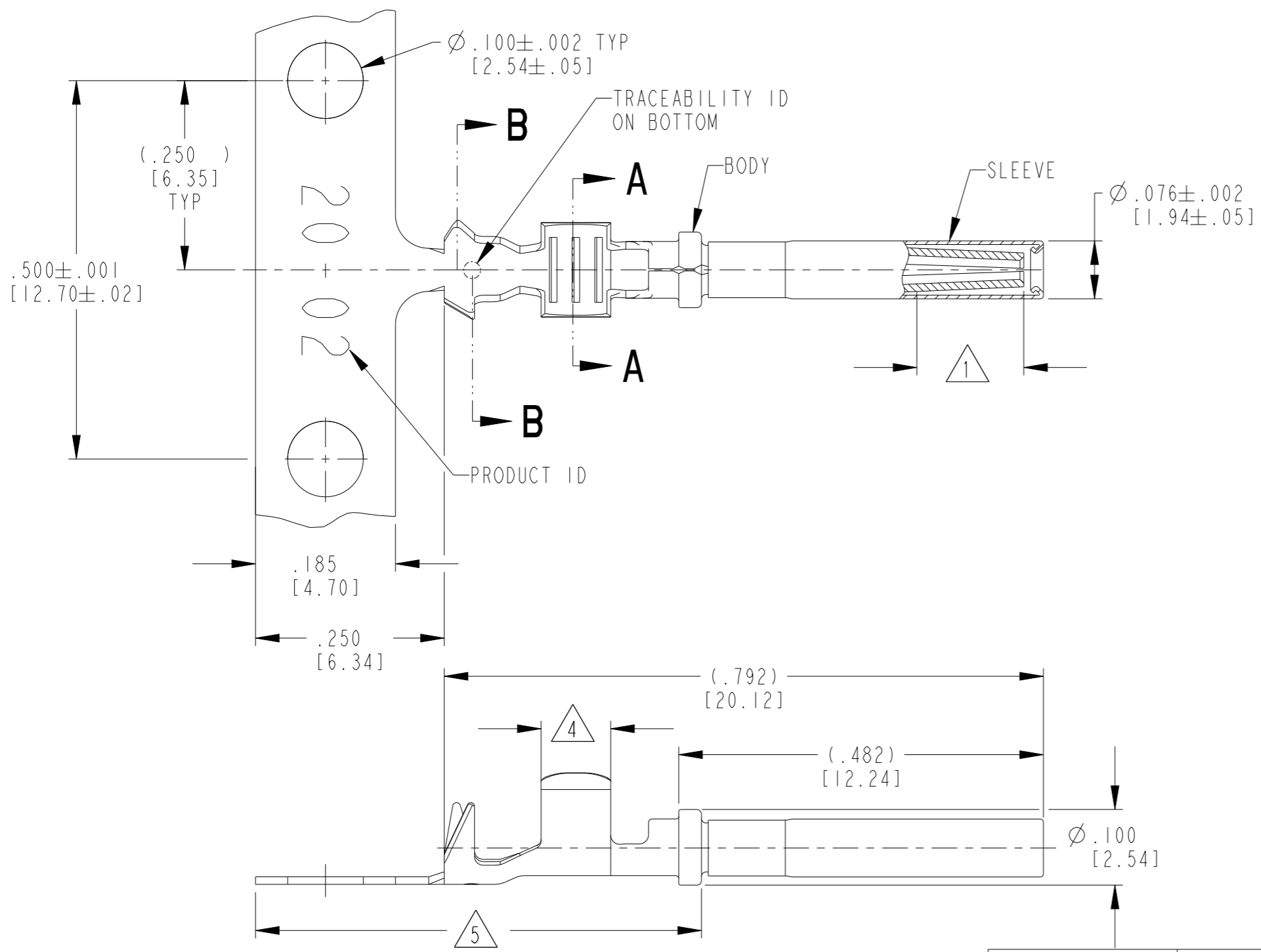


THIS DRAWING IS UNPUBLISHED. RELEASED FOR PUBLICATION 2018
 © COPYRIGHT 2018 BY - ALL RIGHTS RESERVED.

REVISIONS					
P	LTR	DESCRIPTION	DATE	DWN	APVD
F		REVISED PER PCN :E-18-007949	23MAY2018	DD	DM
FI		REVISED PER PCN-24-200133	18MAR2024	RK	CB
G		REVISED PER PCN-24-208998	21MAY2024	GB	DM
GI		REVISED PER PCN-24-223984	14OCT2024	RK	CB



5 TIN PLATING MAY BE IN THIS REGION.

4 TIN PLATED REGION.

3 MATERIAL:
 BODY: .010 [0.25] THICK COPPER ALLOY
 SLEEVE: STAINLESS STEEL


2 WIRE RANGE: 22 AWG TO 16 AWG [0.35-1.50 mm²]
 INSULATION RANGE: Ø.050-.085 [Ø1.27-2.16]

1 GOLD PLATED REGION.

NOTES: UNLESS OTHERWISE SPECIFIED

TE INTERNAL PN	DEUTSCH PN	REV	PLATING
1062-20-0222	1062-20-0222	E	Ni/Cu overall
1062-20-0244	1062-20-0244	F	Selective Au, Ni overall, Sn/Ni Wire Barrel
1062-20-0277	1062-20-0277	E	Sn/Ni/Cu overall

THIS DRAWING IS A CONTROLLED DOCUMENT.

DWN J. APOSTOL 02DEC2009	 TE Connectivity	NAME STAMPED CONTACT SOCKET SIZE 20
CHK D. MEYER 02DEC2009		
APVD R. REED 03DEC2009		
PRODUCT SPEC 108-151000		
MATERIAL 3	FINISH SEE TABLE	APPLICATION SPEC 114-151003
WEIGHT 0.21 g		SIZE A3
CUSTOMER DRAWING		CAGE CODE 4AFU8
SCALE 6:1		DRAWING NO 1062-20-02XX
SHEET 1 OF 1		RESTRICTED TO -
REV GI		