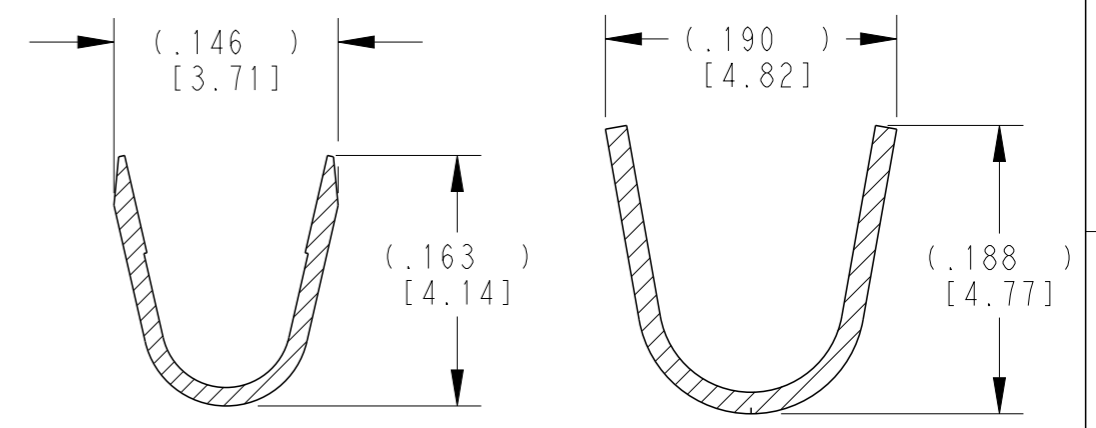
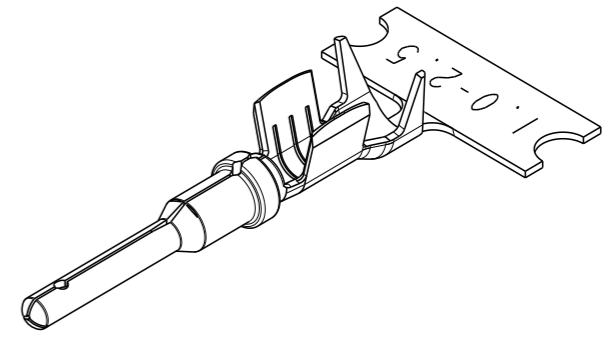
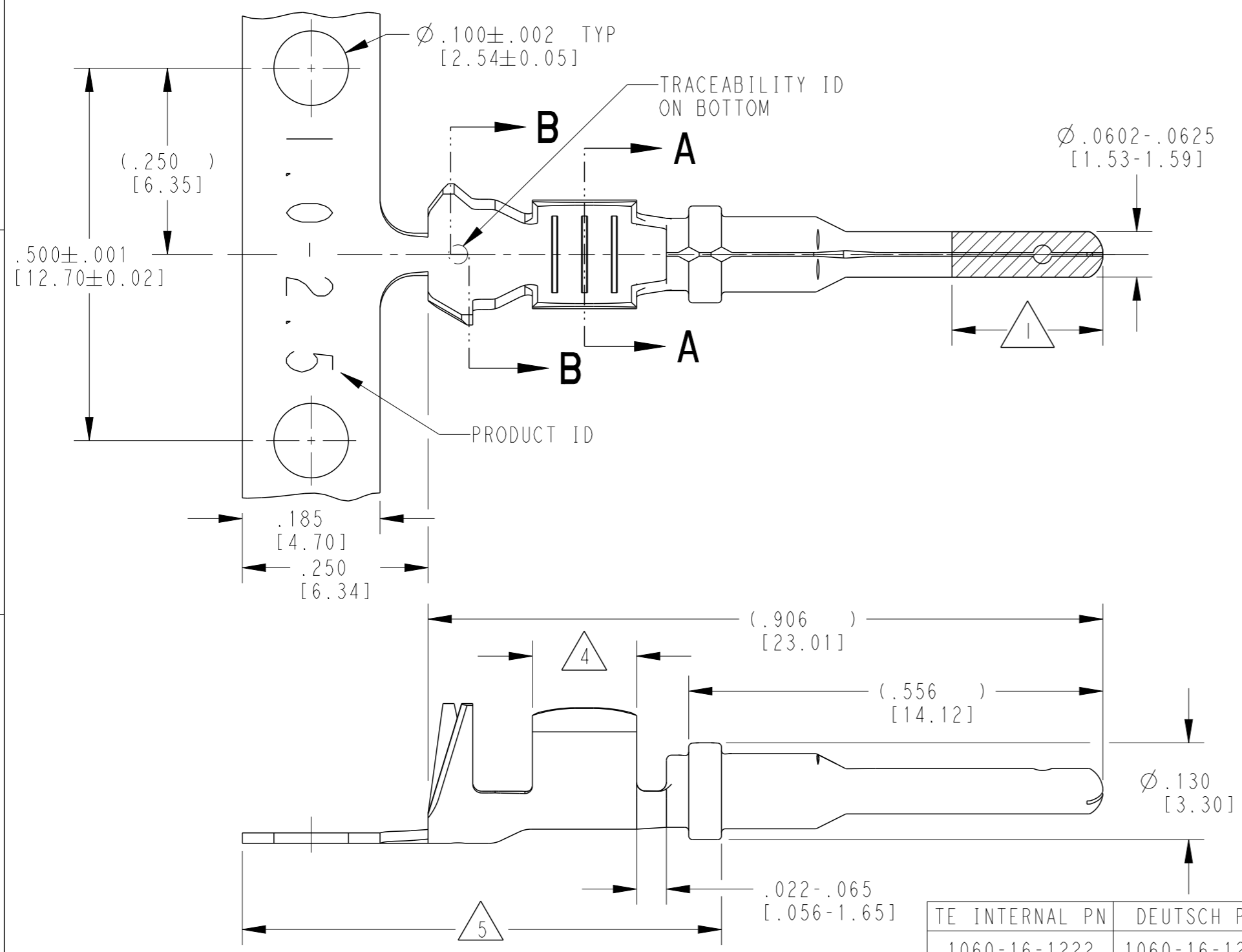


THIS DRAWING IS UNPUBLISHED. RELEASED FOR PUBLICATION 2020  
 © COPYRIGHT 2020 BY TE CONNECTIVITY ALL RIGHTS RESERVED.

LOC	DIST	REVISIONS			
P	LTR	DESCRIPTION	DATE	DWN	APVD
	C	REVISED PER ECO-15-007761	28MAY2015	RL	DM
	D	REVISED PER PCN E-20-008101	12JUN2020	DM	DM
	E	REVISED PER PCN-21-121539	04MAR2022	MK	DM
	E1	REVISED PER PCN-25-234384	31JAN2025	RK	CB



**SECTION A-A**  
WIRE BARREL

**SECTION B-B**  
INSULATION BARREL

- 5 TIN PLATING MAY BE IN THIS REGION.
- 4 TIN PLATED REGION.
- 3 MATERIAL: .014 [0.36] THICK CU ALLOY
- 2. WIRE RANGE: 16 AWG TO 12 AWG [1.0-2.5 mm<sup>2</sup>]  
INSULATION RANGE: Ø.075-.140 [Ø1.91-3.56]
- 1 GOLD PLATED REGION.

SUPERSEDED BY 1060-16-0177

TE INTERNAL PN	DEUTSCH PN	REV	PLATING
1060-16-1222	1060-16-1222	M	Ni/Cu overall, Sn/Ni/Cu Wire Barrel
1060-16-1244	1060-16-1244	M	Selective Au, Ni/Cu overall, Sn/Ni/Cu Wire Barrel
1060-16-1277	1060-16-1277	L	Sn/Ni/Cu overall

THIS DRAWING IS A CONTROLLED DOCUMENT.		DWN VLADIMIR TOMSA 29MAR2001	<b>STE</b> TE Connectivity		
DIMENSIONS: INCHES [mm]		CHK BRICE BYFORD 14MAR2002			
TOLERANCES UNLESS OTHERWISE SPECIFIED:		APVD R. REED 14MAR2002	NAME PIN, STAMPED CONTACT SIZE 16 12-16 AWG, .075-.140 INS		
0 PLC ± 1 PLC ± 2 PLC ± 3 PLC ±.025 [0.64] 4 PLC ± ANGLES ±		PRODUCT SPEC 108-151000	SIZE A3	CAGE CODE 4AFU8	DRAWING NO 1060-16-12XX
MATERIAL 3		APPLICATION SPEC 114-151001	RESTRICTED TO -	SCALE 6:1	
FINISH SEE TABLE		WEIGHT 0.40 g	SHEET 1 OF 1		REV E1
Customer Drawing			Customer Drawing		