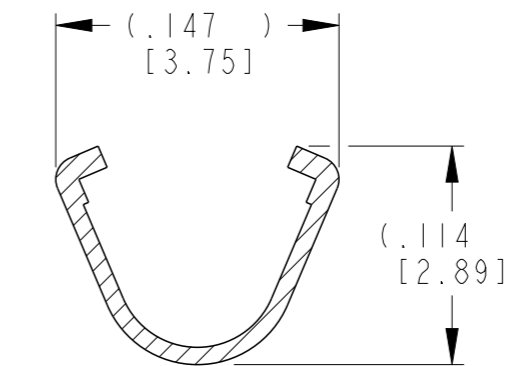
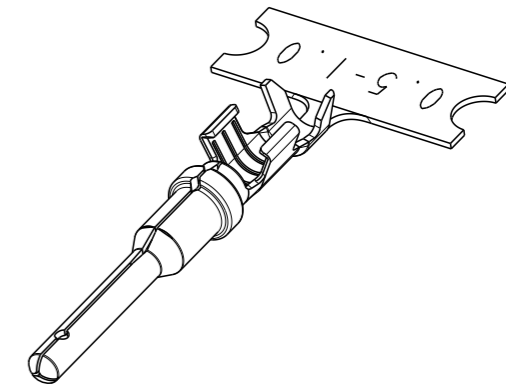
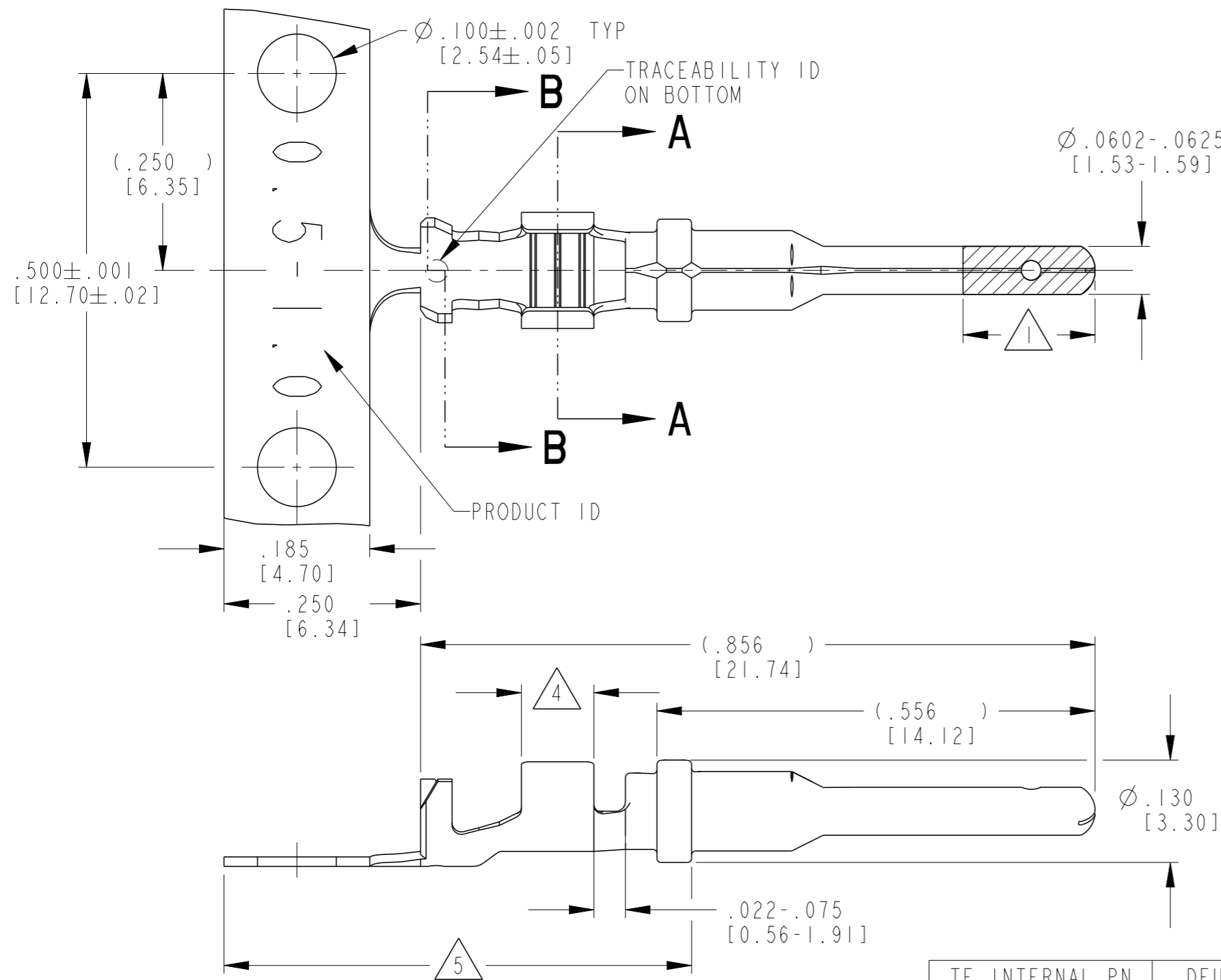
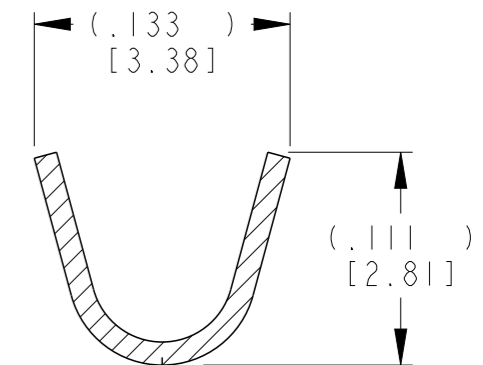


P	LTR	DESCRIPTION	DATE	DWN	APVD
F	I	REVISED PER PCN E-17-014802	06OCT2017	AJ	DM
G		REVISED PER PCN E-20-008101	12JUN2020	DM	DM
H		REVISED PER PCN-21-121539	07FEB2022	DRK	CB
HI		REVISED PER PCN-25-234384	30JAN2025	RK	CB



**SECTION A-A**  
WIRE BARREL



**SECTION B-B**  
INSULATION BARREL

5 TIN PLATING MAY BE IN THIS REGION.

4 TIN PLATED REGION.

3 MATERIAL: .012 [0.30] THICK COPPER ALLOY

2. WIRE RANGE: 20 AWG TO 16 AWG [0.5-1.0 mm<sup>2</sup>]  
INSULATION RANGE: Ø.055-.100 [Ø1.40-2.54]

1 44: GOLD PLATED REGION.  
88: PALLADIUM-NICKEL PLATED REGION.

NOTES: UNLESS OTHERWISE SPECIFIED

TE INTERNAL PN	DEUTSCH PN	REV	PLATING
1060-16-0622	1060-16-0622	L	Ni/Cu overall, Sn/Ni/Cu Wire Barrel
1060-16-0644	1060-16-0644	L	Selective Au, Ni/Cu overall, Sn/Ni/Cu Wire Barrel
1060-16-0677	1060-16-0677	L	Sn/Ni/Cu overall
1060-16-0688	1060-16-0688	L	Selective Pd-Ni, Au/Ni/Cu overall

THIS DRAWING IS A CONTROLLED DOCUMENT.		DWN 28NOV2000 STEVE PALLUTH	<b>TE</b> TE Connectivity	
		CHK 06DEC2000 VLADIMIR TOMSA		
DIMENSIONS: INCHES [mm]		APVD 08DEC2000 R. REED	NAME PIN, STAMPED CONTACT SIZE 16 16-20 AWG, .055-.100 INS	
TOLERANCES UNLESS OTHERWISE SPECIFIED: 0 PLC ± 1 PLC ± 2 PLC ± 3 PLC ±.025 [0.64] 4 PLC ± ANGLES ±		PRODUCT SPEC 108-151000	RESTRICTED TO	
MATERIAL 3		APPLICATION SPEC 114-151000	SIZE A3	CAGE CODE 4AFU8
FINISH SEE TABLE		WEIGHT 0.32 g	DRAWING NO C=1060-16-06XX	SCALE 6:1
		CUSTOMER DRAWING	SHEET 1 OF 1	REV HI