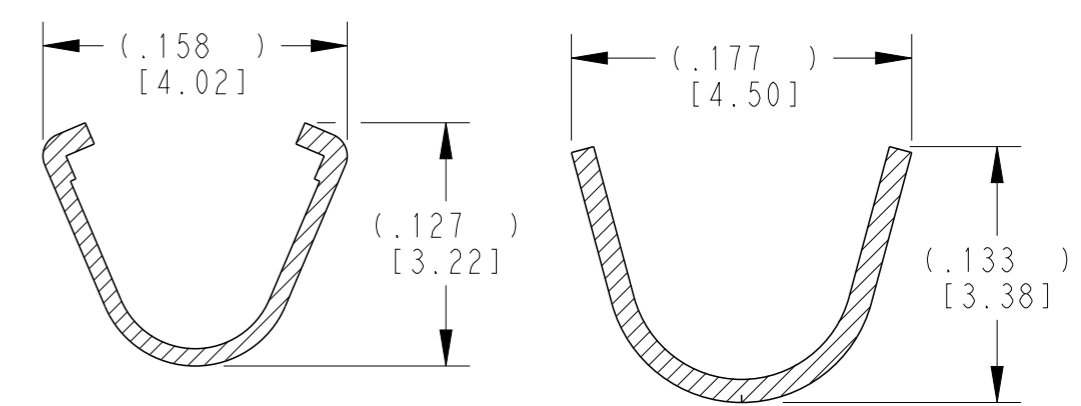
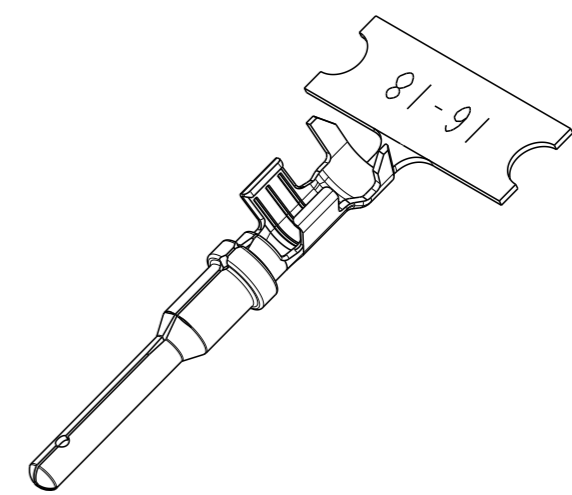
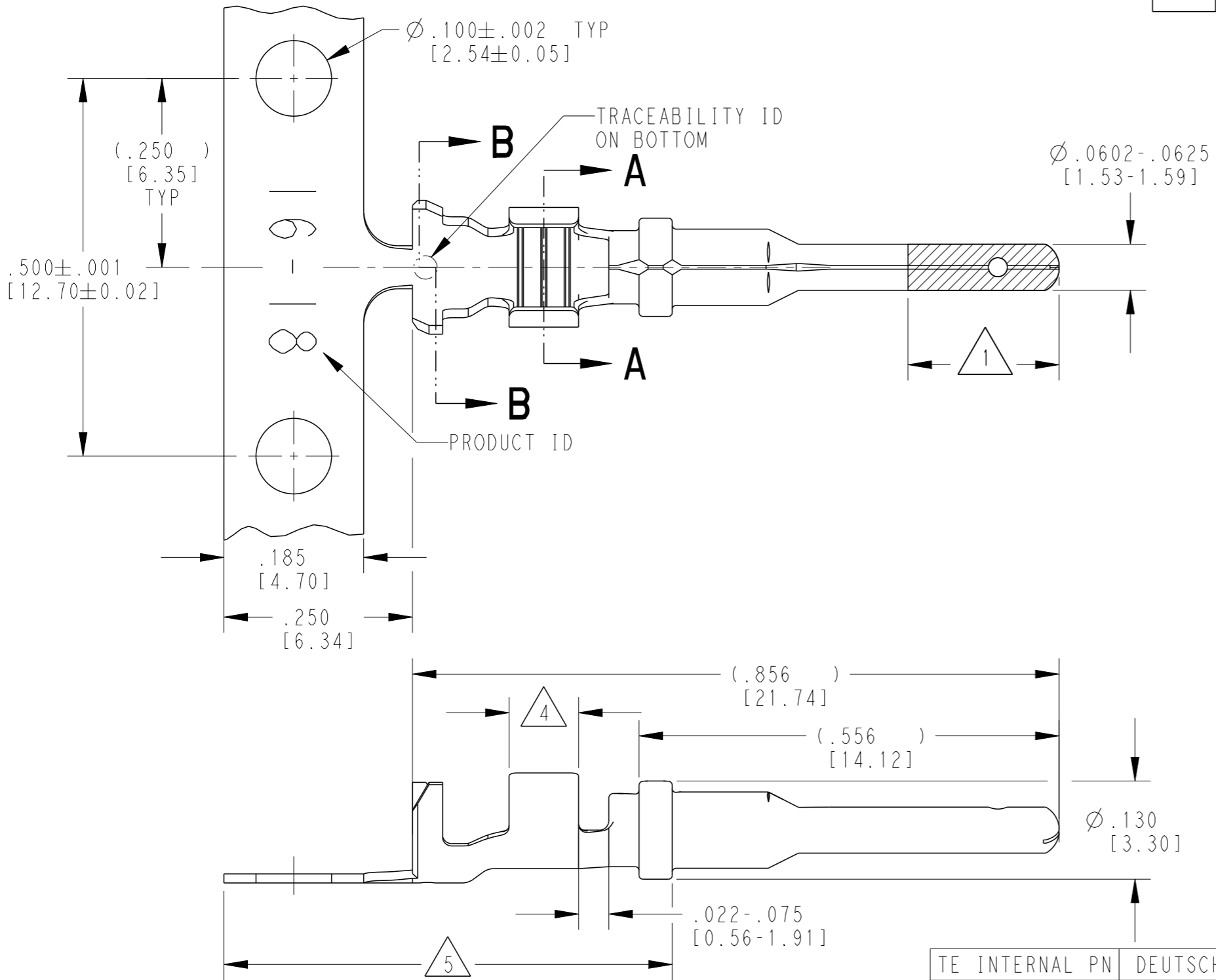


THIS DRAWING IS UNPUBLISHED
 © COPYRIGHT 2020 BY TE CONNECTIVITY ALL RIGHTS RESERVED.

LOC	DIST	REVISIONS			
P	LTR	DESCRIPTION	DATE	DWN	APVD
	K	REVISED PER PCN E-20-008101	12JUN2020	DM	DM
	L	REVISED PER PCN-21-121539	08DEC2021	MK	DM
	L1	REVISED PER PCN-21-121539	04FEB2022	MK	DM
	L2	REVISED PER PCN-25-234384	30JAN2025	RK	CB



SECTION A-A
WIRE BARREL

SECTION B-B
INSULATION BARREL

- △5 TIN PLATING MAY BE IN THIS REGION.
 - △4 TIN PLATED REGION.
 - △3 MATERIAL: .012 [0.30] THICK COPPER ALLOY
 - 2. WIRE RANGE: 18 AWG TO 14 AWG [0.75-2.0 mm²]
INSULATION RANGE: Ø.075-.140 [Ø1.91-3.56]
 - △1 GOLD PLATED REGION.
- NOTES: UNLESS OTHERWISE SPECIFIED

TE INTERNAL PN	DEUTSCH PN	REV	PLATING
1060-16-0122	1060-16-0122	S	Ni/Cu overall, Sn/Ni/Cu Wire Barrel
1060-16-0144	1060-16-0144	S	Selective Au, Ni/Cu overall, Sn/Ni/Cu Wire Barrel
1060-16-0177	1060-16-0177	S	Sn/Ni/Cu overall

THIS DRAWING IS A CONTROLLED DOCUMENT.		DWN M. BLUM 04NOV1999	STE TE Connectivity	
DIMENSIONS: INCHES [mm]		CHK A. ROLINSKI 08DEC2000		
TOLERANCES UNLESS OTHERWISE SPECIFIED:		APVD R. REED 08DEC2000	NAME PIN, STAMPED CONTACT SIZE 16 14-18 AWG, .075-.140 INS	
0 PLC ± 1 PLC ± 2 PLC ± 3 PLC ±.025 [0.64] 4 PLC ± ANGLES ±		PRODUCT SPEC 108-151000	SIZE A3	
MATERIAL △3		APPLICATION SPEC 114-151000	CAGE CODE 4AFU8	DRAWING NO C=1060-16-01XX
FINISH SEE TABLE		WEIGHT 0.33 g	RESTRICTED TO -	SCALE 6:1
		Customer Drawing	SHEET 1	OF 1
			REV L2	