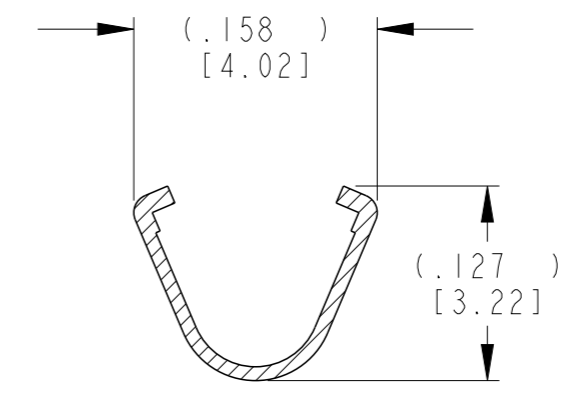
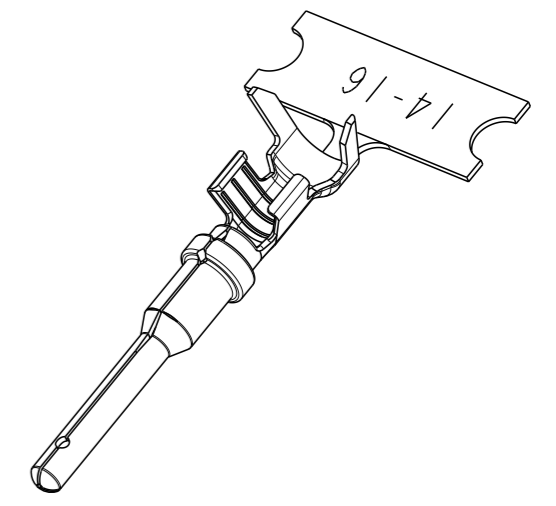
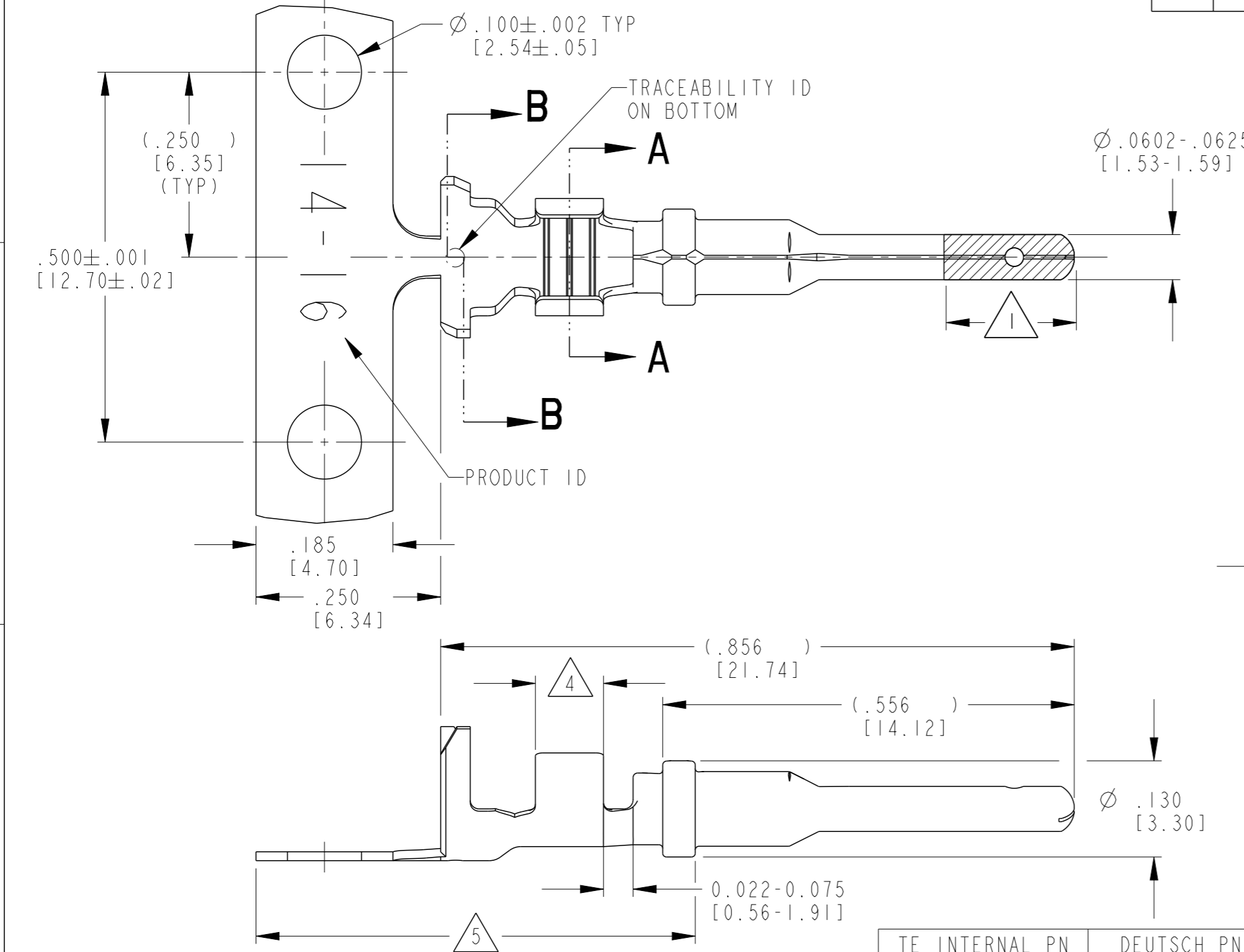
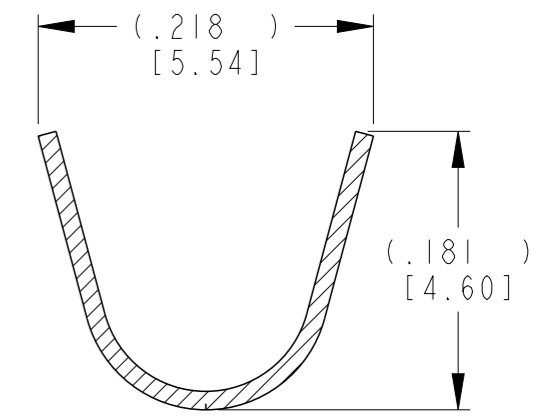


THIS DRAWING IS UNPUBLISHED
 RELEASED FOR PUBLICATION
 2020
 © COPYRIGHT 2020 BY TE CONNECTIVITY ALL RIGHTS RESERVED.

LOC		DIST		REVISIONS		
P	LTR	DESCRIPTION	DATE	DWN	APVD	
	F	REVISED PER ECO-15-007761	28MAY2015	RL	DM	
	G	REVISED PER PCN E-20-008101	12JUN2020	DM	DM	
	H	REVISED PER PCN-21-121539	08FEB2022	DM	GCR	
	HI	REVISED PER PCN-25-234384	29JAN2025	RK	CB	



SECTION A-A
WIRE BARREL



SECTION B-B
INSULATION BARREL

- 5 TIN PLATING MAY BE IN THIS REGION.
 - 4 TIN PLATED REGION.
 - 3 MATERIAL: .012 [0.30] THICK COPPER ALLOY
 - 2. WIRE RANGE: 18 AWG TO 14 AWG [0.75-2.0 mm²]
INSULATION RANGE: Ø .095-.150 [Ø2.41-3.81]
 - 1 GOLD PLATED REGION.
- NOTES: UNLESS OTHERWISE SPECIFIED

TE INTERNAL PN	DEUTSCH PN	REV	PLATING
1060-14-0122	1060-14-0122	N	Ni/Cu overall, Sn/Ni/Cu Wire Barrel
1060-14-0144	1060-14-0144	N	Selective Au, Ni/Cu overall, Sn/Ni/Cu Wire Barrel
1060-14-0177	1060-14-0177	N	Sn/Ni/Cu overall

THIS DRAWING IS A CONTROLLED DOCUMENT.		DWN 04NOV1999 MICHAEL BLOOM	STE TE Connectivity	
		CHK 04DEC2000 VLADIMIR TOMSA		
DIMENSIONS: INCHES [mm]		APVD 08DEC2000 ROBIN REED	NAME PIN, STAMPED CONTACT SIZE 16 14-18 AWG, .095-.150 INS	
TOLERANCES UNLESS OTHERWISE SPECIFIED: 0 PLC ± 1 PLC ± 2 PLC ± 3 PLC ±.025 [0.64] 4 PLC ± ANGLES ±		PRODUCT SPEC 108-151000	SIZE A3	
MATERIAL 3		APPLICATION SPEC 114-151000	CAGE CODE 4AFU8	DRAWING NO 1060-14-01XX
FINISH SEE TABLE		WEIGHT 0.34 g	RESTRICTED TO -	SCALE 6:1
		Customer Drawing	SHEET 1 OF 1	REV HI