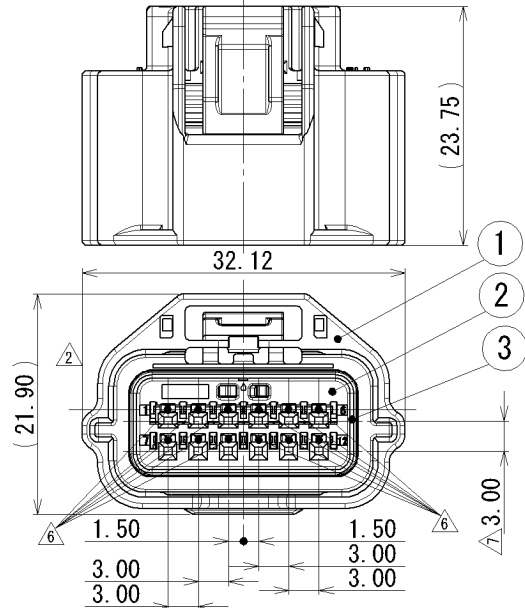
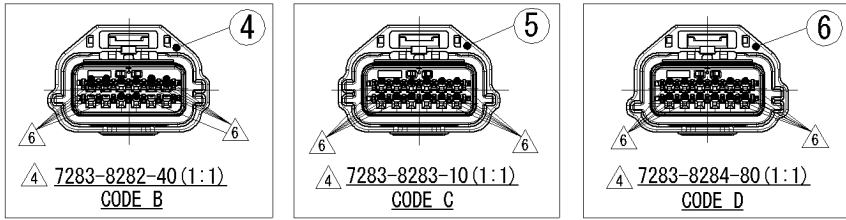


1

2

3



7283-8854-30
CODE A

△	10/01/07	CORRECTION OF CLERICAL ERROR	C10-P030	M. S
△	06/12/19	CHANGED FORM. ETC. [D]	C06-ZD52	Y. I
△	05/06/07	CHANGED FORM 7283-8854-30. [C]	C05-Z865	S. K
△	04/01/16	ADDED PART NO.	C03-X788	T. Y
△	03/08/07	CHANGED CODE. [B]	C03-X324	T. Y
△	02/05/17	CHANGED FORM. [A]	C02-X538	T. Y
△	02/02/06	ELIMINATE SECTION	C02-X199	T. Y
△	01/10/31	NEW	C01-Y128	T. Y
LET	DATE	REVISION RECORD	NO.	CHKD

GENERAL TOLERANCE					VENDOR NO.									
A	±0.15	±0.2	±0.3	±0.5	±0.75	±30°	O. 1	DWG TYPE R	DWG SOURCE NEW	DWG DATE 01/10/31	UNIT mm	SCL 2:1	ANGLE 3	PART NO. CH. CODE 7283-8854-30 ETC.
B	±0.2	±0.3	±0.55	±0.95	±1.4	±30°	O. 1	APPROVED	CHECKED	CHECKED	DESIGN	DRAWN	DWG NO. 7283-8854-30:R	SET DWG NO.
C	±0.3	±0.5	±0.8	±1.4	±2	±30°	O. 15	O. SUGIYAMA	Y. FUKASE		M. KASIYAMA	M. SAITOH		
SPECIFIED	MASS						g	2010/01/07	2010/01/07		01/04/28	2010/01/07	YAZAKI CORPORATION	

SUB ASSEMBLY PART NO. AND CH. CODE	NO.	PART NO. AND CH. CODE	△ PART NAME	MATERIAL	COLOR	QTY.	△ MATING PART NO.
△ 7283-8854-30, [D]	①	7183-8854-30	HOUSING	PBT	BLACK	1	7282-8854-30
	②	△ 7158-5268	FRONT HOLDER	PBT	△ 3 NATURAL	1	
	③	7137-2816-80	PACKING	SILICONE RUBBER	BROWN	1	
△ 7283-8282-40, [A]	④	7183-8282-40	HOUSING	PBT	LIGHT GRAY	1	—
	②	7158-5268	FRONT HOLDER	PBT	NATURAL	1	
	③	7137-2816-80	PACKING	SILICONE RUBBER	BROWN	1	
△ 7283-8283-10, [A]	⑤	7183-8283-10	HOUSING	PBT	DARK GRAY	1	—
	②	7158-5268	FRONT HOLDER	PBT	NATURAL	1	
	③	7137-2816-80	PACKING	SILICONE RUBBER	BROWN	1	
△ 7283-8284-80, [A]	⑥	7183-8284-80	HOUSING	PBT	BROWN	1	—
	②	7158-5268	FRONT HOLDER	PBT	NATURAL	1	
	③	7137-2816-80	PACKING	SILICONE RUBBER	BROWN	1	

NOTES

1. APPLICABLE TERMINAL NO. : 7116-4415-02 ETC.
- △ 2. APPLICABLE RUBBER SEAL NO. : 7158-3165-90 ETC.
3. APPLICABLE UNUSED CAVITY PLUG : 7158-3169-40

注記

1. 適用端子品番 : 7116-4415-02 ETC.
- △ 2. 適用防水栓品番 : 7158-3165-90 ETC.
3. 適用防水栓品番 : 7158-3169-40

ISSUE MARK

CUSTOMER	CUSTOMER PART NO.	CUSTOMER DWG NO.	MATL. SPEC.	SEE TABLE	TREAT. & FIN.
OFFICE	TRIAL PART NO.		NAME RH TYPE CONNECTOR 12P		
VENDOR			SUB ASSEMBLY FEMALE		
VENDOR NO.			PART NO. CH. CODE 7283-8854-30 ETC.		
DWG TYPE	DWG SOURCE	DWG DATE	UNIT	SCL	ANGLE
R	NEW	01/10/31	mm	2:1	3
APPROVED	CHECKED	CHECKED	DESIGN	DRAWN	
O. SUGIYAMA	Y. FUKASE		M. KASIYAMA	M. SAITOH	
2010/01/07	2010/01/07		01/04/28	2010/01/07	

1

2

3