

TABLE 1

YAZAKI SUB ASSEMBLY PART NO.	NO.	YAZAKI PART NO.	MATERIAL	COLOR	QTY.
7283-8730 ETC.	①	SEE TABLE 2	PBT	SEE TABLE 2	1
	②	7137-2613-80	SILICONE RUBBER	RED-IRON	1

TABLE 2

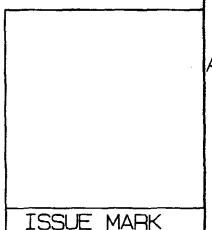
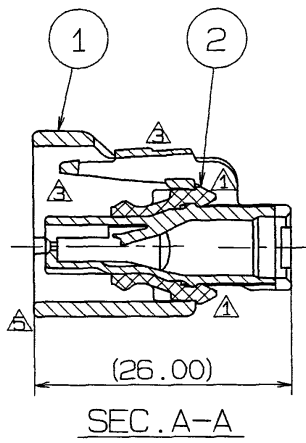
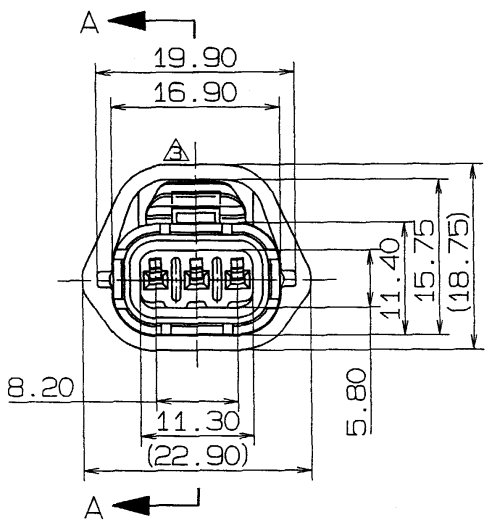
YAZAKI SUB ASSEMBLY PART NO.	YAZAKI PART NO.	COLOR
7283-8730-10, □	7183-8730-10, □	DARK GRAY
7283-8730-30, □	7183-8730-30, □	BLACK

NOTES

- △ 1) APPLICABLE TERMINAL NO.: 7116-1680-02 ETC.
- △ 2) APPLICABLE REAR HOLDER NO.: 7157-4603-80
- △ 3) MATING PART NO.: 7182-8730-30 ETC.
- △ 4) APPLICABLE SEAL RUBBER NO.: 7157-3950-80 ETC.
- △ △ 5) APPLICABLE PLUGGING RUBBER STOPPER NO.: 7157-3952-80

注記

- △ 1) 適用ターミナル品番: 7116-1680-02 ETC.
- △ 2) 適用リヤホルダ品番: 7157-4603-80
- △ 3) 嵌合相手品番: 7182-8730-30 ETC.
- △ 4) 適用ゴム栓品番: 7157-3950-80 ETC.
- △ △ 5) 適用プラグ栓品番: 7157-3952-80



△	97.04.21	CHANGED FORM	C97-L715	H.K
△	95.07.11	CHANGED NOTES	C95-M043	A.H
△	95.02.23	CHANGED FORM, □	C95-L260	K.S
△	94.08.16	ADDED COLOR NO.	C94-M129	K.S
△	92.03.02	CHANGED FORM	C92-L138	I.K
	91.01.10	NEW	C91-L005	S.I

LET	DATE	REVISION RECORD	NO.	CHKD	CUSTOMER	CUSTOMER PART NO.	CUSTOMER DWG NO.

MATL. SPEC.	TREAT. & FIN.
SEE TABLE 1	

NAME △ SSD CONNECTOR HOUSING

3P FEMALE SUB ASS'Y

GENERAL TOLERANCE								DWG TYPE	DWG SOURCE	DWG DATE	UNIT	SCL	ANGLE
	10MAX	50MAX	100MAX	250MAX	2500VF	ANGLE	ECCENT	R	NEW	91.01.10	mm	2/1	3
A	±0.15	±0.2	±0.3	±0.5	±0.75	±30'	0.1						
B	±0.2	±0.3	±0.55	±0.95	±1.4	±30'	0.1	APPROVED	CHECKED	CHECKED	DESIGN	DRAWN	
◎	±0.3	±0.5	±0.8	±1.4	±2	±30'	0.15				KANEKO	YAMAMOTO	

PART NO. CH. CODE		DWG NO.		SET DWG NO.	
△7283-8730-30 ETC.		7283-8730-30: R			

YAZAKI CORPORATION					
--------------------	--	--	--	--	--