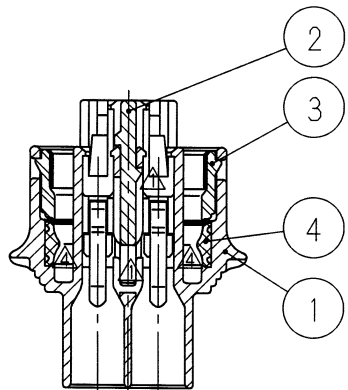
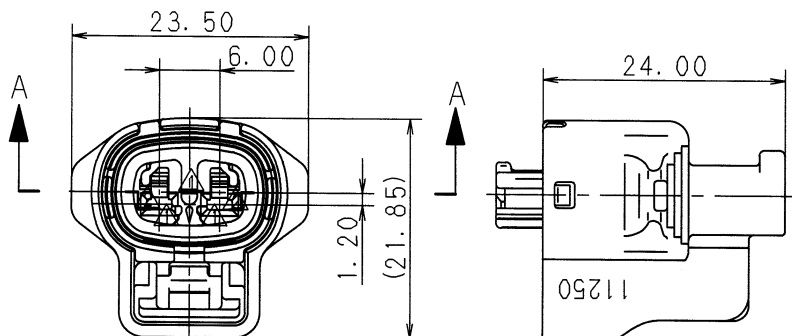


1

2

3



SEC. A-A

TABLE 1

SUB ASSEMBLY PART NO. AND CH. CODE	NO.	PART NO. AND CH. CODE	MATERIAL	COLOR	QTY.
7283-8228 ETC.	①	SEE TABLE 2	PBT	SEE TABLE 2	1
	②	7157-4430	PBT	NATURAL	1
	③	SEE TABLE 2	PBT	SEE TABLE 2	1
	④	7137-2620-40	NBR	LIGHT GRAY	1

TABLE 2

SUB ASSEMBLY PART NO. AND CH. CODE	HOUSING PART NO. AND CH. CODE	HOLDER PART NO. AND CH. CODE	COLOR
7283-8228. □	7183-8228	7157-4236	NATURAL
7283-8228-30. □	7183-8228-30	7157-4236-30	BLACK
7283-8228-40. □	7183-8228-40	7157-4236-40	LIGHT GRAY

注記

- 1. 嵌合相手品番 : 7282-8228-10 ETC.
- 2. 適用端子品番 : 7116-4025 ETC.

NOTES

- 1. MATING PART NO. : 7282-8228-10 ETC.
- 2. APPLICABLE TERMINAL NO. : 7116-4025 ETC.

△	01.02.15	CHANGED FORM. □	C01-X176	C. T
△	00.01.06	ELIMINATED COLOR NO.	C00-L037	C. T
△	99.06.04	CHANGED FORM. □	C99-L797	C. T
△	98.02.17	CHANGED FORM & ADDED PART NO. □	C98-L310	M. Y
	96.12.02	NEW. □	C96-N179	H. K
LET	DATE	REVISION RECORD	NO.	CHKD

CUSTOMER		MATL. SPEC.	SEE TABLE 1	TREAT. & FIN.
CUSTOMER PART NO.		NAME 090II 2P SEALED CONNECTOR		
CUSTOMER DWG NO.		HOUSING FEMALE SUB ASSEMBLY		
OFFICE		TRIAL PART NO. _____		
VENDOR		VENDOR NO. _____		

GENERAL TOLERANCE		DWG TYPE	DWG SOURCE	DWG DATE	UNIT	SCL	ANGLE	PART NO. CH. CODE
A	±0.15	R	NEW	96.12.02	mm	2/1	3	7283-8228 ETC.
B	±0.2	APPROVED	CHECKED	CHECKED	DESIGN	DRAWN		7283-8228:R
①	±0.3	加藤	山梨	鳥居	S. KODAMA	ISHIJIMA		SET DWG NO.
SPECIFIED		g	01.02.22	01.02.22	01.02.21	90.03.29	01.02.15	YAZAKI CORPORATION

ISSUE MARK

1

2

3