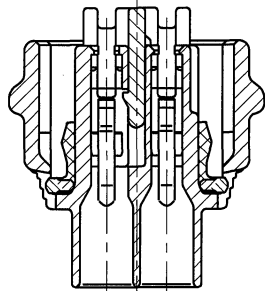
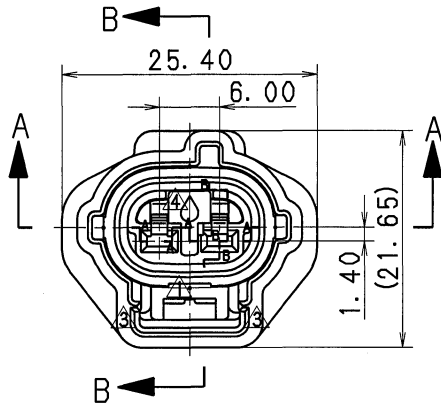
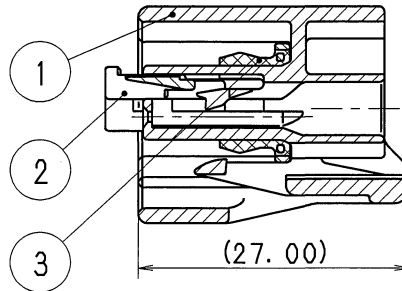


TABLE 1

| SUB ASSEMBLY PART NO. AND CH. CODE | NO. | PART NO. AND CH. CODE | PART NAME                              | MATERIAL        | COLOR       | QTY. |
|------------------------------------|-----|-----------------------|--|-----------------|-------------|------|
| 7283-8220 ETC.                     | ①   | SEE TABLE 2           | 2. 3II 2P SEALED HOUSING FEMALE        | PBT             | SEE TABLE 2 | 1    |
|                                    | ②   | 7157-4347             | 2. 3II 2P SEALED HOUSING SPACER FEMALE | PBT             | NATURAL     | 1    |
|                                    | ③   | 7137-2240-60          | 2. 3II 2P SEALED HOUSING PACKING       | SILICONE RUBBER | LIGHT GREEN | 1    |



SEC. A-A



SEC. B-B

TABLE 2

| SUB ASSEMBLY PART NO. AND CH. CODE | PART NO. AND CH. CODE | COLOR      |
|------------------------------------|-----------------------|------------|
| 7283-8220.□                        | 7183-8220             | NATURAL    |
| 7283-8220-10.□                     | 7183-8220-10          | DARK GRAY  |
| 7283-8220-30.□                     | 7183-8220-30          | BLACK      |
| 7283-8220-40.□                     | 7183-8220-40          | LIGHT GRAY |
| 7283-8220-80.□                     | 7183-8220-80          | BROWN      |

注記

1. 取扱説明書 No. : YPES-15-222

NOTE

1. HANDLING MANUAL NO. : YPES-15-222

|          |   |                     |      |
|----------|---|---------------------|------|
| 12.03.20 | ADDED NOTE, ETC.                          | C12-Z320            | R. B |
| 08.03.31 | CHANGED PART NO., ETC.                    | C08-Z229            | C. T |
| 00.11.20 | CHANGED FORM, COLOR & MATERIAL.□          | C00-M527            | C. T |
| 00.05.13 | CORRECT ALL ERRORS & ELIMINATED COLOR NO. | C00-L688            | H. T |
| 97.05.08 | CHANGED FORM.□                            | C97-L778            | H. K |
| 93.03.17 | NEW                                       | C93-L325            | H. F |
| LET      | DATE                                      | REVISION RECORD NO. | CHKD |

GENERAL TOLERANCE

|   | 10MAX | 50MAX | 100MAX | 250MAX | 250OVR | ANGLE | ECCENT |
|---|-------|-------|--------|--------|--------|-------|--------|
| A | ±0.15 | ±0.2  | ±0.3   | ±0.5   | ±0.75  | ±30'  | 0.1    |
| B | ±0.2  | ±0.3  | ±0.55  | ±0.95  | ±1.4   | ±30'  | 0.1    |
| ◎ | ±0.3  | ±0.5  | ±0.8   | ±1.4   | ±2     | ±30'  | 0.15   |

SPECIFIED

MASS

|                   |           |                   |          |                          |             |
|-------------------|-----------|-------------------|----------|--------------------------|-------------|
| CUSTOMER          |           | MATERIAL SPEC.    |          | TREAT. & FIN.            |             |
| CUSTOMER PART NO. |           | SEE TABLE 1       |          |                          |             |
| CUSTOMER DWG NO.  |           |                   |          |                          |             |
| OFFICE            |           | NAME              |          | 2. 3II 2P SEALED HOUSING |             |
| VENDOR            |           | TRIAL PART NO.    |          | FEMALE SUB ASSEMBLY      |             |
| VENDOR NO.        |           | PART NO. CH. CODE |          | 7283-8220 ETC.           |             |
| DWG TYPE          |           | DWG SOURCE        |          | DWG NO.                  |             |
| R                 | NEW       | 93.03.17          | mm       | 2/1                      | 3           |
| APPROVED          | CHECKED   | CHECKED           | DESIGN   | DRAWN                    | SET DWG NO. |
| M. FUKUDA         | Y. SASAKI | K. KIDA           | TAKEUCHI | R. BUERANO               |             |
| 12.03.20          | 12.03.20  | 12.03.20          | 90.04.06 | 12.03.20                 |             |
|                   |           |                   |          | YAZAKI CORPORATION       |             |