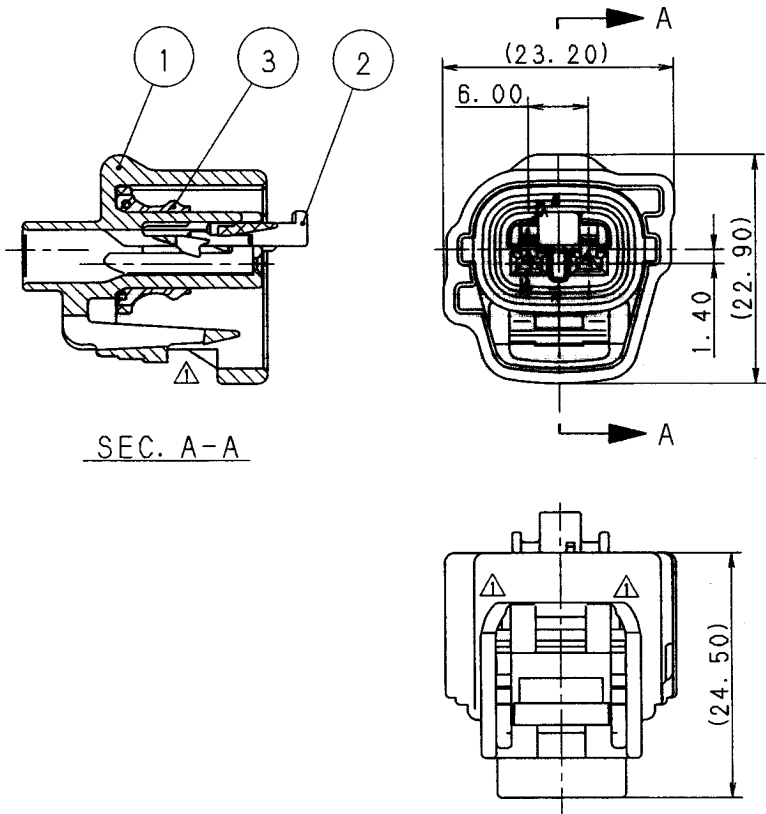


TABLE 1

SUB ASSEMBLY PART NO. AND CH. CODE	NO.	PART NO. AND CH. CODE	MATERIAL	COLOR	QTY.
7283-8129-10 ETC.	①	SEE TABLE 2	PBT	SEE TABLE 2	1
	②	7157-4350	PBT	NATURAL	1
	③	△7137-2244-60	△SELF LUBRICATING SILICONE RUBBER	△LIGHT GREEN	1



△TABLE 2

SUB ASSEMBLY PART NO. AND CH. CODE	PART NO. AND CH. CODE	COLOR
△7283-8129.□	7183-8129	NATURAL
7283-8129-10.□	7183-8129-10	DARK GRAY
7283-8129-30.□	7183-8129-30	BLACK
7283-8129-40.□	7183-8129-40	LIGHT GRAY

NOTES

- 1. APPLICABLE TERMINAL NO. :7116-4025 ETC.
- 2. MATING PART NO. :7282-8129-10 ETC.
- △3. APPLICABLE RUBBER STOPPER NO. :7158-3006-90 ETC.

注 記

- 1. 適用端子品番 :7116-4025 ETC.
- 2. 嵌合相手品番 :7282-8129-10 ETC.
- △3. 適用ゴム製品品番 :7158-3006-90 ETC.

△	00.02.25	CHANGED FORM. □	C00-L282	C. T
△	98.08.31	ELIMINATED COLOR NO.	C98-M337	J. S

△	98.01.13	CHANGED MATERIAL & ADDED PART NO., NOTES & CHANGED FORM. □	C97-N787	A. A
	91.03.04	NEW	C91-L173	K. I
LET	DATE	REVISION RECORD	NO.	CHKD

CUSTOMER		MATL. SPEC.	SEE TABLE 1	TREAT. & FIN.
CUSTOMER PART NO.		NAME 090II 2P SEALED CONNECTOR		
OFFICE		HOUSING FEMALE SUB ASSEMBLY		
VENDOR		PART NO. 7283-8129-10 ETC.		
VENDOR NO.		DWG NO. 7283-8129-10:R		

GENERAL TOLERANCE								DWG TYPE	DWG SOURCE	DWG DATE	UNIT	SCL	ANGLE					
A	10MAX	±0.15	50MAX	±0.2	100MAX	±0.3	250MAX	±0.5	2500VR	±0.75	±30'	0.1	R	NEW	91.03.04	mm	2/1	3
B	±0.2	±0.3	±0.55	±0.95	±1.4	±30'	0.1	APPROVED	CHECKED	CHECKED	DESIGN	DRAWN						
(C)	±0.3	±0.5	±0.8	±1.4	±2	±30'	0.15	加藤	山梨	福馬居	SAMEJIMA	T. YOSHIDA						
SPECIFIED								MASS	g	00.03.02	00.03.01	00.02.29	89.07.03	00.02.25				

