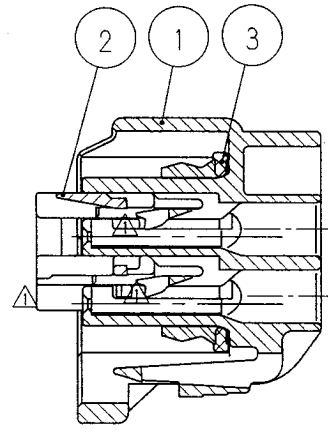
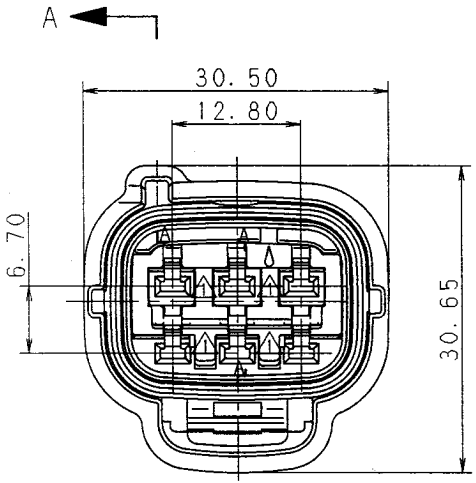


TABLE 1	SUB ASSEMBLY PART NO.	NO.	PART NO.	MATERIAL	COLOR	QTY.
	7283-7064 ETC.	①	SEE TABLE 2	PBT	SEE TABLE 2	1
		②	7157-4565	PBT	NATURAL	1
		③	△ 7137-2219-60	△ SILICONE RUBBER	△ LIGHT GREEN	1



SEC. A-A

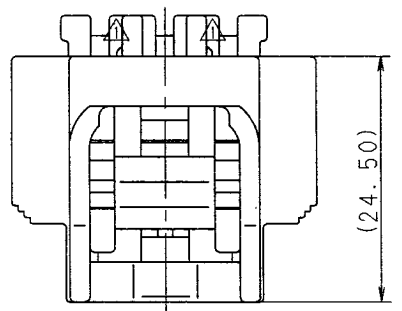


TABLE 2	SUB ASSEMBLY PART NO.	PART NO.	COLOR
	7283-7064, □	7183-7064	NATURAL
	7283-7064-10, □	7183-7064-10	DARK GRAY
	7283-7064-30, □	7183-7064-30	BLACK
	7283-7064-40, □	7183-7064-40	LIGHT GRAY
	7283-7064-50, □	7183-7064-50	ORANGE
△	7283-7064-51, □	7183-7064-51	SAE ORANGE
	7283-7064-60, □	7183-7064-60	GREEN
	7283-7064-80, □	7183-7064-80	BROWN
	7283-7064-90, □	7183-7064-90	BLUE

- 注記
- 1. 嵌合相手品番 : 7282-7064 ETC.
  - 2. 適用端子品番 : 7116-4025 ETC.
  - △ 3. 適用ゴム栓品番 : 7158-3006-90 ETC.

- NOTES
- 1. MATING PART NO. : 7282-7064 ETC.
  - 2. APPLICABLE TERMINAL NO. : 7116-4025 ETC.
  - △ 3. APPLICABLE RUBBER STOPPER NO. : 7158-3006-90 ETC.

△	98.03.19	ADDED PART NO., CHANGED MATERIAL & PART NO., □	C98-L445	H. T
△	97.07.02	CHANGED FORM & ADDED NOTE. A	C97-M317	H. K
	92.07.01	NEW	C92-L508	T. T
LET	DATE	REVISION RECORD	NO.	CHKD

CUSTOMER		MATL. SPEC.	SEE TABLE 1	TREAT. & FIN.
CUSTOMER PART NO.		NAME		
OFFICE		090II 6P SEALED CONNECTOR		
VENDOR		HOUSING FEMALE SUB ASSEMBLY		
VENDOR NO.		PART NO. 7283-7064 ETC.		
DWG TYPE	DWG SOURCE	DWG DATE	UNIT	SCL
R	NEW	92.07.01	mm	2/1
APPROVED	CHECKED	CHECKED	DESIGN	DRAWN
	加藤	山梨	KODAMA	AOYAMA
	98.3.25	98.03.24	98.03.24	98.03.19

GENERAL TOLERANCE								
	10MAX	50MAX	100MAX	250MAX	2500VR	ANGLE	ECCENT	
A	±0.15	±0.2	±0.3	±0.5	±0.75	±30'	0.1	
B	±0.2	±0.3	±0.55	±0.95	±1.4	±30'	0.1	
③	±0.3	±0.5	±0.8	±1.4	±2	±30'	0.15	
SPECIFIED							MASS	g

PART NO.		7283-7064 ETC.	
CH. CODE		7283-7064 : R	
DWG NO.		7283-7064 : R	
SET DWG NO.			
YAZAKI CORPORATION			