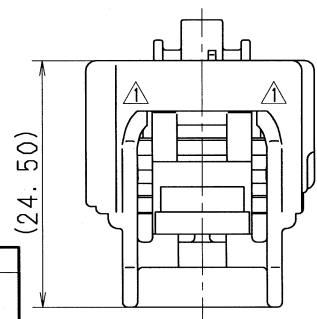
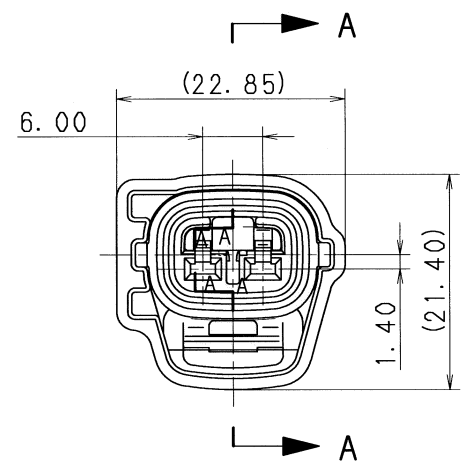
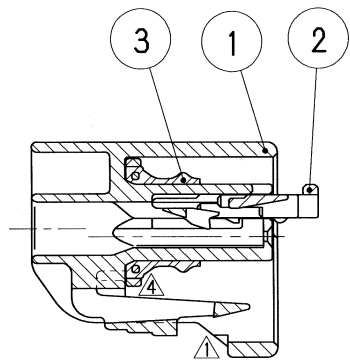


TABLE 1

SUB ASSEMBLY PART NO. AND CH. CODE	NO.	PART NO. AND CH. CODE	△ PART NAME	MATERIAL	COLOR	△ QTY.
△ 7283-7028-30 ETC.	①	△ SEE TABLE 2	HOUSING	PBT	△ SEE TABLE 2	1
	②	7157-4350	SPACER	PBT	NATURAL	1
	③	△ 7137-2244-60	PACKING	△ SILICONE RUBBER	△ LIGHT GREEN	1



△ TABLE 2

SUB ASSEMBLY PART NO. AND CH. CODE	PART NO. AND CH. CODE	COLOR
△ 7283-7028, △	7183-7028	NATURAL
△ 7283-7028-10, △	7183-7028-10	DARK GRAY
7283-7028-30, △	7183-7028-30	BLACK
△ 7283-7028-40, △	7183-7028-40	LIGHT GRAY
△ 7283-7028-50, △	7183-7028-50	ORANGE
△ 7283-7028-60, △	7183-7028-60	GREEN
△ 7283-7028-80, △	7183-7028-80	BROWN
△ 7283-7028-90, △	7183-7028-90	BLUE

NOTES

- 1. MATING PART NO. : 7282-7028-30 ETC.
- 2. APPLICABLE TERMINAL NO. : 7116-4025 ETC.
- △ 3. APPLICABLE RUBBER STOPPER NO. : 7158-3006-90 ETC.

注記

- 1. かん合相手品番 : 7282-7028-30 ETC.
- 2. 適用ターミナル品番 : 7116-4025 ETC.
- △ 3. 適用ゴム栓品番 : 7158-3006-90 ETC.

△	07.08.03	CHANGED FORM, ETC.	C07-Z830	K. S				
△	03.04.14	CHANGED NAME & CORRECTION OF A CLERICAL ERROR	C03-X273	K. O				
△	98.01.13	CHANGED MATERIAL, NOTES & PART NO. △	C97-N786	A. A				
△	96.10.22	CHANGED FORM & ADDED PART NO.	C96-M949	M. T				
	89.09.13	NEW	C89-L966	M. T				
LET	DATE	REVISION RECORD	NO.	CHKD				
GENERAL TOLERANCE								
	10MAX	50MAX	100MAX	250MAX	2500VR	ANGLE	ECCENT	
A	±0.15	±0.2	±0.3	±0.5	±0.75	±30'	0.1	
B	±0.2	±0.3	±0.55	±0.95	±1.4	±30'	0.1	
C	±0.3	±0.5	±0.8	±1.4	±2	±30'	0.15	
SPECIFIED							MASS	g

CUSTOMER		MATERIAL SPEC.		TREAT. & FIN.	
CUSTOMER PART NO.		SEE TABLE 1			
CUSTOMER DWG NO.					
OFFICE		TRIAL PART NO.			
VENDOR					
VENDOR NO.					
DWG TYPE	DWG SOURCE	DWG DATE	UNIT	SCL	ANGLE
R	NEW	89.09.19	mm	△ 2/1	3
APPROVED	CHECKED	CHECKED	DESIGN	DRAWN	
<i>山梨</i>	<i>兒玉</i>	<i>佐藤</i>	SAMEJIMA	M. MORAL	
07-08-03	07-08-03	07-08-03	89.06.21	07.08.03	

NAME △ 2.3 II 2P SEALED CONNECTOR	
HOUSING FEMALE SUB ASSEMBLY	
PART NO. CH. CODE	△ 7283-7028-30 ETC.
DWG NO.	7283-7028-30:R
SET DWG NO.	
YAZAKI CORPORATION	

ISSUE MARK