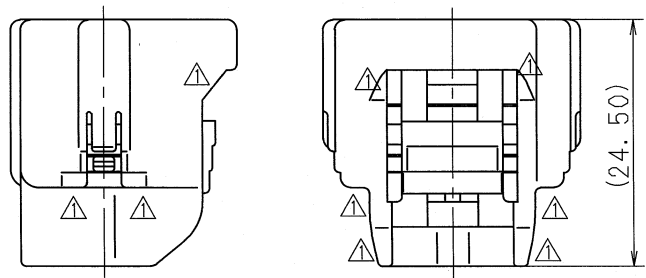
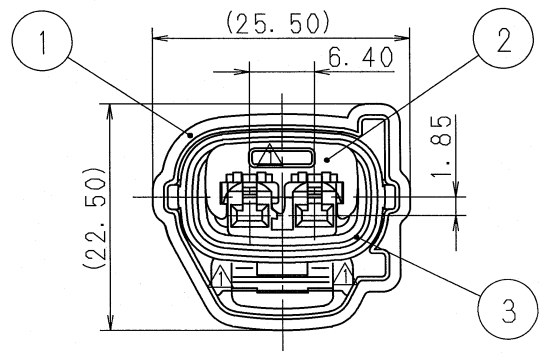


TABLE 1

| SUB ASSEMBLY PART NO. AND CH. CODE | NO. | PART NO. AND CH. CODE | MATERIAL | COLOR | QTY. |
|------------------------------------|-----|-----------------------|-------------------|-------------|------|
| △7283-7020-10 ETC. | ① | SEE TABLE 2 | PBT | SEE TABLE 2 | 1 |
| | ② | 7157-4103 | PBT | NATURAL | 1 |
| | ③ | 7137-2211-80 | △ SILICONE RUBBER | RED IRON | 1 |

TABLE 2

| SUB ASSEMBLY PART NO. AND CH. CODE | PART NO. AND CH. CODE | COLOR |
|------------------------------------|-----------------------|------------|
| △ 7283-7020 | 7183-7020 | NATURAL |
| 7283-7020-10 | 7183-7020-10 | DARK GRAY |
| △ 7283-7020-30 | 7183-7020-30 | BLACK |
| △ 7283-7020-40 | 7183-7020-40 | LIGHT GRAY |
| △ 7283-7020-50 | 7183-7020-50 | ORANGE |
| △ 7283-7020-60 | 7183-7020-60 | GREEN |
| △ 7283-7020-80 | 7183-7020-80 | BROWN |
| △ 7283-7020-90 | 7183-7020-90 | BLUE |



注記

- 1) 適用端子品番 : 7116-4025 ETC.
- 2) 嵌合相手品番 : 7282-7020-10 ETC.
- △ 3) 適用ゴム栓品番 : 7158-3006-90 ETC.

NOTES

- 1) APPLICABLE TERMINAL NO. : 7116-4025 ETC.
- 2) MATING PART NO. : 7282-7020-10 ETC.
- △ 3) APPLICABLE RUBBER STOPPER NO. : 7158-3006-90 ETC.

| | | | | | | | | | | | | |
|-------------------|--------------------------|---------------------|----------|-------------------|------------|------------------|----------|--|---------|--------------------|-----------|----------|
| △ 02.09.03 | CHANGED NOTE & PART NAME | C02-Y002 | J. S | CUSTOMER | | | | MATERIAL SPEC. SEE TABLE 1 | | TREAT. & FIN. | | |
| △ 96.10.01 | ADDED PART NO. | C96-M766 | M. T | CUSTOMER PART NO. | | CUSTOMER DWG NO. | | NAME △ 2.3II (090II) 2P SEALED CONNECTOR HOUSING FEMALE SUB ASSEMBLY | | | | |
| △ 89.08.19 | CHANGED FORM & RENEW | C89-L863 | M. T | OFFICE | | TRIAL PART NO. | | PART NO. △ 7283-7020-10 ETC. | | | | |
| 89.02.22 | NEW | C89-L377 | T. M | VENDOR | | VENDOR NO. | | DWG NO. 7283-7020-10:R | | SET DWG NO. | | |
| LET | DATE | REVISION RECORD NO. | CHKD | APPROVED | | CHECKED | | CHECKED | | YAZAKI CORPORATION | | |
| GENERAL TOLERANCE | | | DWG TYPE | | DWG SOURCE | | DWG DATE | | UNIT | | SCL ANGLE | |
| | 10MAX | 50MAX | 100MAX | 250MAX | 250OVR | ANGLE | ECCENT | R | NEW | 89.02.22 | mm | 2/1 3 |
| A | ±0.15 | ±0.2 | ±0.3 | ±0.5 | ±0.75 | ±30' | 0.1 | APPROVED | CHECKED | CHECKED | DESIGN | DRAWN |
| B | ±0.2 | ±0.3 | ±0.55 | ±0.95 | ±1.4 | ±30' | 0.1 | 山梨 | 6 | 野田 | M. TSUJI | ISHIJIMA |
| ◎ | ±0.3 | ±0.5 | ±0.8 | ±1.4 | ±2 | ±30' | 0.15 | 02.09.04 | 6 | 02.09.07 | 池谷(正) | |
| SPECIFIED | | | MASS | | g | | 02.09.03 | | | | | |