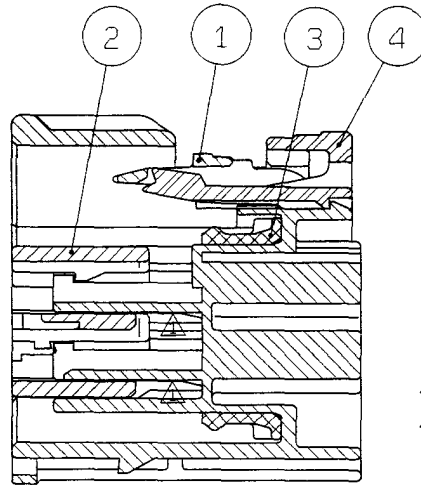
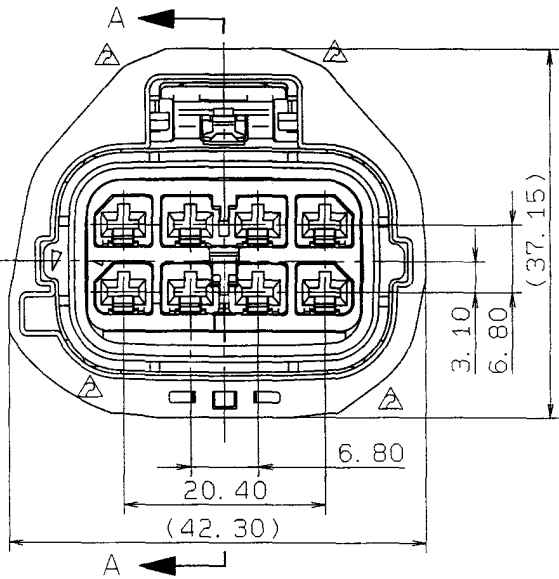
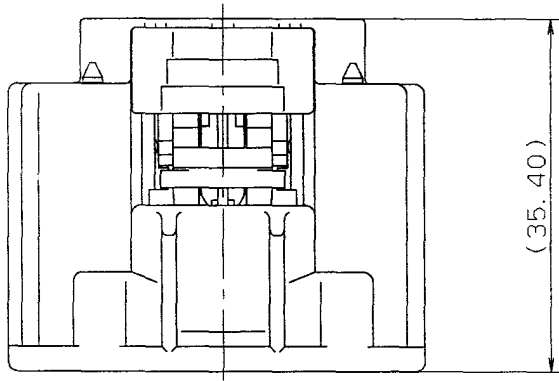


1

2

3



SEC. A-A

QTY.	NO.	PART NO. AND CH. CODE	MATERIAL	COLOR
1	1	① 7183-5574-10	HPA	DARK GRAY
1	1	② 7158-4195	HPA	NATURAL
1	1	③ 7137-2754-90	SILICONE RUBBER	BLUE
1		④ 7158-7080-50	HPA	RED

7283-5927-10  
7283-5574-10. A  
SUB ASSEMBLY  
PART NO. & CH. CODE

NOTES

- 1. APPLICABLE TERMINAL PART NO. : 7116-4150-02 ETC.
- 2. MATING PART NO. : 7282-5574-10
- △ 3. APPLICABLE WIRE SEAL NO. : 7158-3111-60 ETC.
- △ 4. APPLICABLE DUMMY PLUG NO. : 7158-3114-90

注記

- 1. 適用端子品番 : 7116-4150-02 ETC.
- 2. 嵌合相手品番 : 7282-5574-10
- △ 3. 適用ワイヤ品番 : 7158-3111-60 ETC.
- △ 4. 適用防水栓品番 : 7158-3114-90

ISSUE MARK

△ 99.11.15	ADDED PART NO. ETC.	C99-M695	M. K	CUSTOMER	MATL. SPEC.	SEE TABLE	TREAT. & FIN.
△ 98.09.04	CHANGED FORM. A	C98-M601	Y. I	CUSTOMER PART NO.	CUSTOMER DWG NO.		
△ 98.06.04	CHANGED FORM	C98-L927	Y. I				
- 97.03.28	NEW	C97-L606	Y. U	OFFICE	TRIAL PART NO.		
LET	DATE	REVISION RECORD	NO.	CHKD	VENDOR		
GENERAL TOLERANCE				VENDOR NO.			
	10MAX	50MAX	100MAX	250MAX	2500VR	ANGLE	ECCENT
A	±0.15	±0.2	±0.3	±0.5	±0.75	±30'	0.1
B	±0.2	±0.3	±0.55	±0.95	±1.4	±30'	0.1
◎	±0.3	±0.5	±0.8	±1.4	±2	±30'	0.15
SPECIFIED				MASS			
				g			
				酒井 下田 永野 関			
				199.11.23 99.11.23 99.11.19 97.03.18 99.11.15			
				DWG TYPE: R			
				DWG SOURCE: NEW			
				DWG DATE: 97.03.28			
				UNIT: mm			
				SCL: 2/1			
				ANGLE: 3			
				PART NO. CH. CODE: △7283-5574-10 ETC.			
				DWG NO.: 7283-5574-10:R			
				SET DWG NO.			
YAZAKI CORPORATION							

1

2

3

