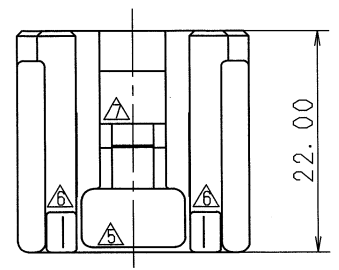
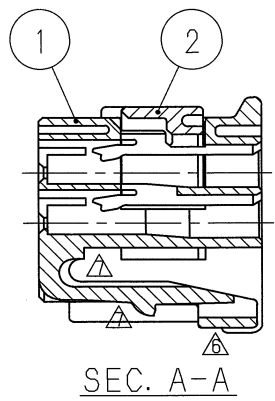
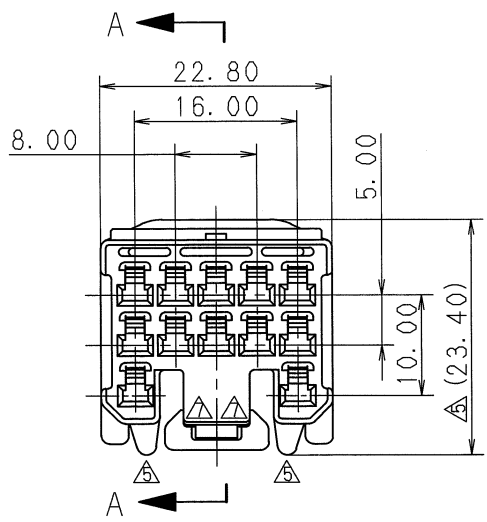


TABLE 1

| SUB ASSEMBLY PART NO. AND CH. CODE | NO. | PART NO. AND CH. CODE     | MATERIAL | COLOR       | QTY. |
|------------------------------------|-----|---------------------------|----------|-------------|------|
| 7283-4325 ETC.                     | ①   | SEE TABLE 2               | HPA      | SEE TABLE 2 | 1    |
|                                    | ②   | 7157-4538<br>△(7B57-4538) | HPA      | NATURAL     | 1    |

△ TABLE 2

| SUB ASSEMBLY PART NO. AND CH. CODE | PART NO. AND CH. CODE     | COLOR      |
|------------------------------------|---------------------------|------------|
| 7283-4325, □<br>△(7C83-4325, □)    | 7183-4325<br>△(7B83-4325) | NATURAL    |
| 7283-4325-10, □                    | 7183-4325-10              | DARK GRAY  |
| 7283-4325-30, □                    | 7183-4325-30              | BLACK      |
| 7283-4325-40, □                    | 7183-4325-40              | LIGHT GRAY |
| 7283-4325-50, □                    | 7183-4325-50              | ORANGE     |
| 7283-4325-80, □                    | 7183-4325-80              | BROWN      |
| 7283-4325-90, □                    | 7183-4325-90              | BLUE       |



注記

- △ 1. 嵌合相手品番 : 7282-4325 ETC. (7C82-4325)
- △ 2. 適用端子品番 : 7116-4020 ETC.
- △ 3. ( ) 内品番は、エアバッグ (A/B) 回路及び特別管理回路に使用する時に適用すること。

NOTES

- △ 1. MATING PART NO. : 7282-4325 ETC. (7C82-4325)
- △ 2. APPLICABLE TERMINAL NO. : 7116-4020 ETC.
- △ 3. PART NUMBERS IN PARENTHESIS SHALL BE USED FOR AIR BAG (A/B) CIRCUITS AND OTHER CIRCUITS DESIGNATED FOR SPECIAL MONITORING.

|     |          |                                      |          |      |
|-----|----------|--------------------------------------|----------|------|
| △   | 01.03.09 | CHANGED FORM, □                      | C01-X250 | N. T |
| △   | 99.09.30 | CHANGED FORM, □                      | C99-M475 | T. M |
| △   | 99.05.11 | CHANGED FORM, □                      | C99-L588 | T. M |
| △   | 99.02.03 | ELIMINATED COLOR NO.                 | C99-L187 | T. M |
| △   | 97.07.15 | CHANGED MATERIAL, □                  | C97-M495 | H. K |
| △   | 96.11.15 | ADDED A/B PART NO. & CHANGED FORM, □ | C96-N062 | H. K |
| △   | 96.07.01 | CHANGED MATERIAL, □                  | C96-M106 | A. Y |
| △   | 93.05.14 | NEW                                  | C93-L529 | H. F |
| LET | DATE     | REVISION RECORD                      | NO.      | CHKD |

| GENERAL TOLERANCE |       |       |        |        |        |       |        |
|-------------------|-------|-------|--------|--------|--------|-------|--------|
|                   | 10MAX | 50MAX | 100MAX | 250MAX | 250OVR | ANGLE | ECCENT |
| A                 | ±0.15 | ±0.2  | ±0.3   | ±0.5   | ±0.75  | ±30'  | 0.1    |
| B                 | ±0.2  | ±0.3  | ±0.55  | ±0.95  | ±1.4   | ±30'  | 0.1    |
| ◎                 | ±0.3  | ±0.5  | ±0.8   | ±1.4   | ±2     | ±30'  | 0.15   |
| SPECIFIED         |       |       |        |        |        |       | MASS   |
|                   |       |       |        |        |        |       | g      |

|                   |  |                   |  |                              |  |
|-------------------|--|-------------------|--|------------------------------|--|
| CUSTOMER          |  | MATERIAL SPEC.    |  | TREAT. & FIN.                |  |
| CUSTOMER PART NO. |  | SEE TABLE 1       |  |                              |  |
| CUSTOMER DWG NO.  |  | NAME              |  | 090II 12P CONNECTOR HOUSING  |  |
| OFFICE            |  | TRIAL PART NO.    |  | FEMALE SUB ASSEMBLY          |  |
| VENDOR            |  | PART NO. CH. CODE |  | △ 7283-4325 ETC. (7C83-4325) |  |
| VENDOR NO.        |  | DWG NO.           |  | 7283-4325:R                  |  |
| DWG TYPE          |  | DESIGN            |  | DRAWN                        |  |
| R                 |  | T. UEDA           |  | ISHIJIMA                     |  |
| DWG SOURCE        |  | DRAWN             |  | YAZAKI CORPORATION           |  |
| NEW               |  | T. UEDA           |  | YAZAKI CORPORATION           |  |
| DWG DATE          |  | DATE              |  | DATE                         |  |
| 93.05.14          |  | 01.03.15          |  | 01.03.14                     |  |
| UNIT              |  | DATE              |  | DATE                         |  |
| mm                |  | 91.11.05          |  | 01.03.09                     |  |
| SCL               |  | DATE              |  | DATE                         |  |
| 2/1               |  | 91.11.05          |  | 01.03.09                     |  |
| ANGLE             |  | DATE              |  | DATE                         |  |
| 3                 |  | 91.11.05          |  | 01.03.09                     |  |

|            |
|------------|
| ISSUE MARK |
|------------|

