

- NOTES:
 1. MATERIAL: SEE TABLE 1
 2. COLOR: SEE TABLE 1
 3. APPLICABLE TERMINALS: SEE TABLE 2
 4. APPLICABLE WIRE SIZES: SEE TABLE 2
 5. THIS DIMENSION SHOWS POSITION OF FRONT HOLDER ON THE SUB-ASSEMBLY.
 6. MATING PART NO. 7282-4071-30

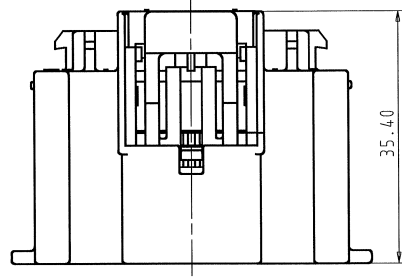
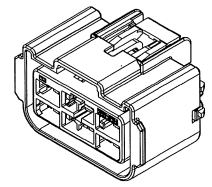
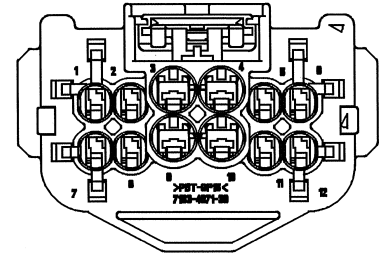
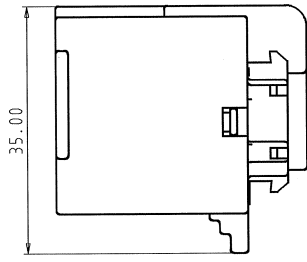
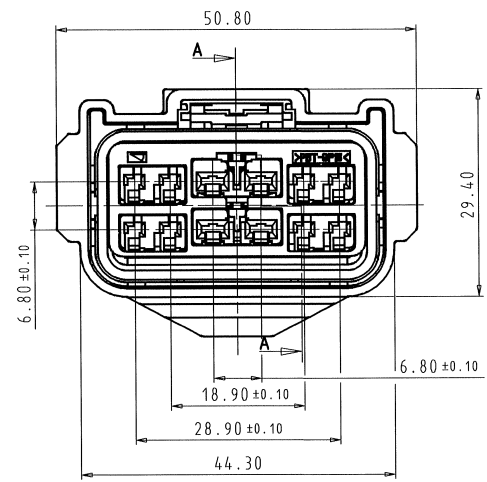
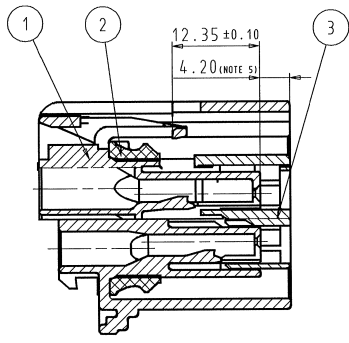


TABLE 1		1	2	3	4	5	6	7
SUB ASS'Y NO.	NO.	PART NO.	PART NAME		MATERIAL	COLOR	QTY	
7283-4071-30	1	7183-4071-30	HYBRID SYSTEM CONNECTOR 12P (F) HOUSING		PBT GF15	BLACK	1	
	2	7137-2756-50	HYBRID SYSTEM CONNECTOR 12P (F) PACKING		SILICONE RUBBER	ORANGE	1	
	3	7158-6218	HYBRID SYSTEM CONNECTOR 12P (F) FRONT HOLDER		PBT GF15	NATURAL	1	

TABLE 2					
APPLICABLE TERMINALS	WIRE RANGE mm ²	INSULATION RANGE DIA(mm)	TERMINAL PART NO.	SINGLE WIRE SEAL PART NO.	
1.5 (F) TERMINAL (SEALED) TIN PLATED	0.35-0.5	1.2-1.7	7116-4102-02	7158-3030-50	
	0.75-1.0	1.6-2.2	7116-4103-02	7158-3031-90	
2.8 (F) TERMINAL (SEALED) TIN PLATED	0.35-0.5	1.2-1.7	7116-4150-02	7158-3111-60	
	0.75-1.0	1.6-2.2	7116-4151-02	7158-3112-70	
	1.5-2.5	2.2-3.0	7116-4152-02	7158-3113-40	



Part No.	Material	Color	QTY
7283-4071-30			
N/A			

LET	DATE	REVISION RECORD	NO.	CHKD
△	03/06/09	NEW	C03-0580	M.P.
△	03/03/06	DELETED DIMENSIONS ADD TABLE	F03-0519	M.P.
△	02/06/10	NLW	F02-E076	J.S.

GENERAL TOLERANCE							
	10MAX	50MAX	100MAX	250MAX	2500VR	ANGLE	ECCENT
A	±0.15	±0.2	±0.3	±0.5	±0.75	±30'	0.1
B	±0.2	±0.3	±0.55	±0.95	±1.4	±30'	0.1
◎	±0.3	±0.5	±0.8	±1.4	±2	±30'	0.15
SPECIFIED MASS 24 g							

CUSTOMER		MATERIAL SPEC. SEE TABLE		TREAT. & FIN.	
CUSTOMER PART NO.		CUSTOMER DWG NO.		NAME	
OFFICE YEL-K		TRIAL PART NO.		HYBRID SYSTEM CONNECTOR 12P	
VENDOR		X40183-E402		(F)SUBASS'Y LAMP APPLICATION	
VENDOR NO.		02/06/10		PART NO. 7283-4071-30	
DWG TYPE R		DWG SOURCE NEW		CH. CODE	
DWG DATE 02/06/10		UNIT mm		DWG NO. 7283-4071-30:R	
APPROVED H. LUISCH		CHECKED J. PLESKO		DESIGN M. PLESKO	
DRAWN J. PLESKO		DATE 03/05/13		02/05/12	
03/06/10		03/06/10		03/06/10	
YAZAKI CORPORATION					