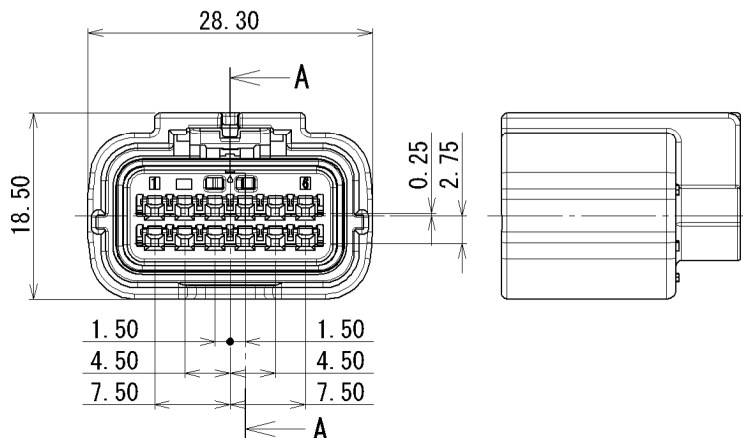


SEC. A-A



SUB ASSEMBLY PART NO. AND CH. CODE	NO.	PART NO. AND CH. CODE	PART NAME	MATERIAL	COLOR	QTY.
7283-4038-30 ETC.	①	SEE TABLE 2	HS 025 12P SEALED HOUSING FEMALE	PBT	SEE TABLE 2	1
	②	7158-6587	HS 025 12P SEALED FRONT HOLDER FEMALE	PBT-G	NATURAL	1
	③	7137-2848-80	HS 025 12P SEALED PACKING	SILICONE RUBBER	BROWN	1

TABLE 2	SUB ASSEMBLY PART NO. AND CH. CODE	PART NO. AND CH. CODE	COLOR
	7283-4038-30	7183-4038-30	BLACK
	7283-4038-40	7183-4038-40	LIGHT GRAY
	7283-4038-10	7183-4038-10	DARK GRAY

NOTES

- 1. MATING PART NO. : 7282-4038-30 ETC.
- 2. APPLICABLE TERMINAL NO. : 7116-4415-02, 7116-4416-02, 7116-4417-02
- 3. APPLICABLE SEAL RUBBER NO. : 7158-3165-90, 7158-3166-60, 7158-3167-80, 7158-3168-80
- 4. APPLICABLE UNUSED CAVITY PLUG: 7158-3169-40

注記

- 1. かん合相手品番 : 7282-4038-30 ETC.
- 2. 適用端子品番 : 7116-4415-02、7116-4416-02、7116-4417-02
- 3. 適用ゴム栓品番 : 7158-3165-90、7158-3166-60、7158-3167-80、7158-3168-80
- 4. 適用防水栓品番 : 7158-3169-40

GENERAL TOLERANCE												ISSUE MARK
	10 MAX	50 MAX	100 MAX	250 MAX	250 OVR	R5 MAX	R10 MAX	R20 MAX	R20 OVR	ANGLE	ECCENT	
A	±0.15	±0.2	±0.3	±0.5	±0.75	±0.2	±0.3	±0.5	±2.5	±3°	0.1	
B	±0.2	±0.3	±0.55	±0.95	±1.4					±3°	0.1	
C	±0.3	±0.5	±0.8	±1.4	±2					±3°	0.15	

2017/01/10	ADDED COLOR PART NO., ETC.	C16-Z750	A. Q	CUSTOMER	MATL. SPEC.	SEE TABLE 1	TREAT. & FIN.
2005/05/18	ADDED PART NO., ETC.	C05-Z720	K. N	CUSTOMER PART NO.	CUSTOMER DWG NO.		
2004/02/27	NEW	C04-X160	K. N	OFFICE	TRIAL PART NO.		
LET	DATE	REVISION RECORD	NO.	CHKD	VENDOR	NAME 7283-4038-30 ETC.	
GENERAL TOLERANCE				VENDOR NO.	SUB ASSEMBLY FEMALE		
A	±0.15	±0.2	±0.3	±0.5	±0.75	±30'	0.1
B	±0.2	±0.3	±0.55	±0.95	±1.4	±30'	0.1
C	±0.3	±0.5	±0.8	±1.4	±2	±30'	0.15
SPECIFIED				MASS	PART NO. CH. CODE		
				g	7283-4038-30:R		
				T. MATSUNAGA	DWG NO. 7283-4038-30:R		
				2017/01/10	YAZAKI CORPORATION		
					SET DWG NO.		