

1

2

3

TABLE 1

SUB ASSEMBLY PART NO. AND CH. CODE	NO.	PART NO. AND CH. CODE	MATERIAL	COLOR	QTY.
7283-1289 ETC.	①	SEE TABLE 2	PBT	SEE TABLE 2	1
	②	△7158-5166	PBT	NATURAL	1
	③	△7137-2676-60	△SILICONE RUBBER	△LIGHT GREEN	1

△ TABLE 2

SUB ASSEMBLY PART NO. AND CH. CODE	PART NO. AND CH. CODE	COLOR
7283-1289. □	7183-1289	NATURAL
7283-1289-10. □	7183-1289-10	DARK GRAY
7283-1289-30. □	7183-1289-30	BLACK
7283-1289-40. □	7183-1289-40	LIGHT GRAY
7283-1289-51. □	7183-1289-51	SAE ORANGE

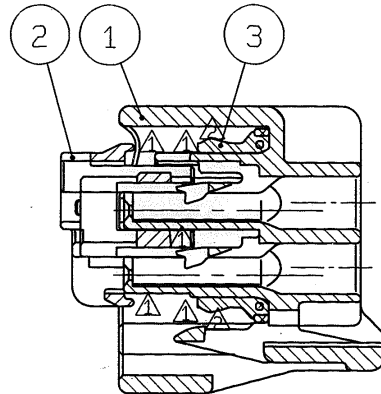
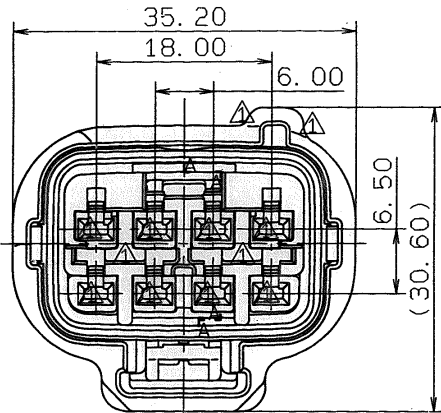
注記

- 1. 適用端子品番 : 7116-4025 ETC.
- 2. 適用ゴム栓品番 : 7158-3006-90 ETC.
- 3. 嵌合相手品番 : 7282-1289 ETC.

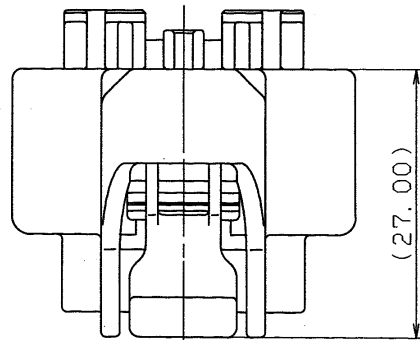
NOTES

- 1. APPLICABLE TERMINAL PARTS NO. : 7116-4025 ETC.
- 2. APPLICABLE RUBBER STOPPER NO. : 7158-3006-90 ETC.
- 3. MATING PART NO. : 7282-1289 ETC.

A ←

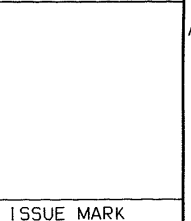


SEC. A-A



△	99.06.28	CHANGED FORM & PART NO.	C99-M059	C. T									
△	98.12.04	CHANGED FORM, MATERIAL, COLOR & ELIMINATED COLOR NO. □	C98-N060	S. S									
	98.01.28	NEW	C98-L147	H. J									
LET	DATE	REVISION RECORD	NO.	CHKD									
GENERAL TOLERANCE													
	10MAX	50MAX	100MAX	250MAX	2500VR	ANGLE	ECCENT	DWG TYPE	DWG SOURCE	DWG DATE	UNIT	SCL	ANGLE
A	±0.15	±0.2	±0.3	±0.5	±0.75	±30'	0.1	R	NEW	98.01.28	mm	2/1	3
B	±0.2	±0.3	±0.55	±0.95	±1.4	±30'	0.1	APPROVED	CHECKED	CHECKED	DESIGN	DRAWN	
(C)	±0.3	±0.5	±0.8	±1.4	±2	±30'	0.15				OOMURA	KIKUCHI	
SPECIFIED					MASS	加藤 山梨 高田			99.07.09 99.07.09 99.07.01		94.12.12	99.06.28	

CUSTOMER		MATL. SPEC.		TREAT. & FIN.	
CUSTOMER PART NO.		CUSTOMER DWG NO.		NAME	
OFFICE		TRIAL PART NO.		090II 8P SEALED CONNECTOR	
VENDOR		VENDOR NO.		HOUSING FEMALE SUB ASSEMBLY	
PART NO. CH. CODE		PART NO. CH. CODE		SET DWG NO.	
7283-1289 ETC.		7283-1289:R			
YAZAKI CORPORATION					



1

2

3

