

1

2

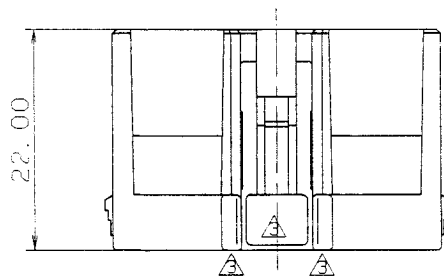
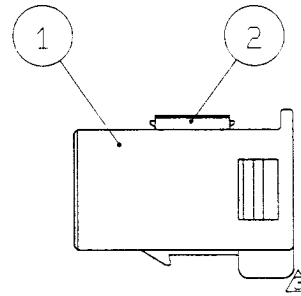
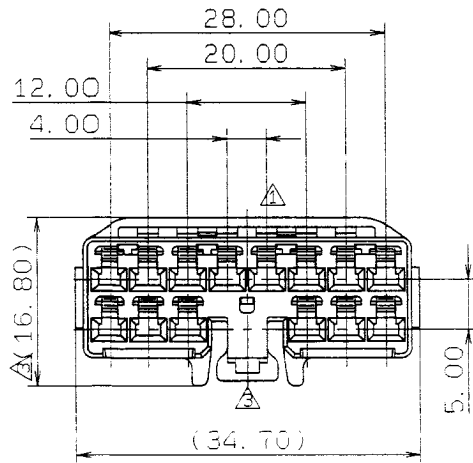
3

TABLE 1

SUB ASSEMBLY PART NO. AND CH. CODE	NO.	PART NO. AND CH. CODE	MATERIAL	COLOR	QTY.
7283-1140 ETC.	①	SEE TABLE 2	HPA	SEE TABLE 2	1
	②	7158-4540 (7B58-4540)	HPA	NATURAL	1

TABLE 2

SUB ASSEMBLY PART NO. AND CH. CODE	PART NO. AND CH. CODE	COLOR
7283-1140 (7C83-1140)	7183-1140 (7B83-1140)	NATURAL
△ 7283-1140-10	7183-1140-10	DARK GRAY
△ 7283-1140-30	7183-1140-30	BLACK
7283-1140-40	7183-1140-40	LIGHT GRAY
△ 7283-1140-50	7183-1140-50	ORANGE
△ 7283-1140-60	7183-1140-60	GREEN
△ 7283-1140-70	7183-1140-70	YELLOW
△ 7283-1140-80	7183-1140-80	BROWN
7283-1140-90	7183-1140-90	BLUE



## 注記

1. 嵌合相手品番: 7282-1140 ETC.
2. 適用端子品番: 7116-4020 ETC.
3. ( )内品番は、エアバック(A/B)回路及び特殊管理回路に使用する時に適用すること。

## NOTES

1. MATING PART NO. : 7282-1140 ETC.
2. APPLICABLE TERMINAL NO. : 7116-4020 ETC.
3. PART NUMBERS IN PARENTHESIS SHALL BE USED FOR AIR BAG (A/B) CIRCUITS AND OTHER CIRCUITS DESIGNATED FOR SPECIAL MONITORING.

△ 99.05.28	ADDED COLOR NO.	C99-L793	T. M														
△ 99.01.20	CHANGED FORM	C99-L112	T. M														
△ 98.08.19	ELIMINATED COLOR NO.	C98-M465	T. M	CUSTOMER		MATERIAL SPEC.		SEE TABLE 1		TREAT. & FIN.							
△ 98.05.29	CHANGED FORM & ELIMINATED COLOR NO.	C98-L955	T. M	CUSTOMER PART NO.		CUSTOMER DWG NO.				NAME		090II 14P CONNECTOR					
97.10.31	NEW	C97-N259	H. K	OFFICE		TRIAL PART NO.				FEMALE SUB ASSEMBLY							
LET	DATE	REVISION RECORD	NO.	CHKD	VENDOR		VENDOR NO.										
GENERAL TOLERANCE																	
	10MAX	50MAX	100MAX	250MAX	2500VP	ANGLE	ECCENT	DWG TYPE	DWG SOURCE	DWG DATE	UNIT	SCL	ANGLE	PART NO. CH. CODE	7283-1140 ETC.(7C83-1140)		
A	±0.15	±0.2	±0.3	±0.5	±0.75	±30'	0.1	R	NEW	97.10.31	mm	2/1	3	DWG NO.	7283-1140:R		
B	±0.2	±0.3	±0.55	±0.95	±1.4	±30'	0.1	APPROVED	CHECKED	CHECKED	DESIGN	DRAWN	SET DWG NO.				
(C)	±0.3	±0.5	±0.8	±1.4	±2	±30'	0.15	加藤 山梨 三輪		TANISHITA KIKUCHI		杉山口		YAZAKI CORPORATION			
SPECIFIED				MASS		g		99.06.11		99.06.10		99.06.04		97.06.12		99.05.28	

1

2

3