

1

2

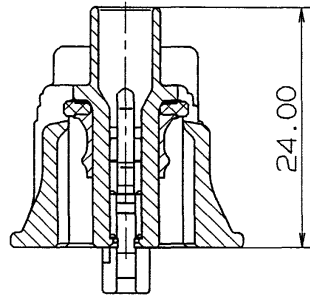
3

TABLE 1

YAZAKI SUB ASSEMBLY PART NO.	NO.	YAZAKI PART NO.	MATERIAL	COLOR	△QTY.
7283-1114 ETC.	①	SEE TABLE 2	PBT	SEE TABLE 2	1
	②	7157-4355	PBT	NATURAL	1
	③	7137-2602-80	SILICONE RUBBER	DARK BROWN	1

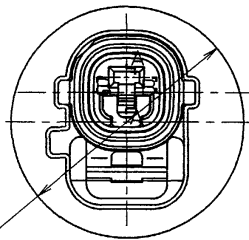
TABLE 2

YAZAKI SUB ASSEMBLY PART NO.	YAZAKI PART NO.	COLOR
7283-1114	7183-1114	NATURAL
7283-1114-10	7183-1114-10	DARK GRAY
7283-1114-30	7183-1114-30	BLACK
7283-1114-40	7183-1114-40	LIGHT GRAY
7283-1114-50	7183-1114-50	ORANGE
7283-1114-60	7183-1114-60	GREEN
7283-1114-80	7183-1114-80	BROWN
7283-1114-90	7183-1114-90	BLUE



SEC. B-B

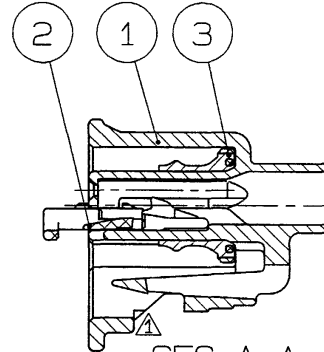
A ←



B ↓

B ↓

A ←



SEC. A-A

注記

1.適用端子品番 : 7116-4025 ETC.

NOTE

1. APPLICABLE TERMINAL NO. : 7116-4025 ETC.

ISSUE MARK

					CUSTOMER				MATERIAL SPEC. SEE TABLE 1			TREAT. & FIN.									
△	97.04.22	CHANGED FORM	C97-L716	H.K	CUSTOMER PART NO.				CUSTOMER DWG NO.			NAME 090II 1P SEALED CONNECTOR									
	91.10.02	NEW	C91-L278	Y.G	OFFICE				TRIAL PART NO.			HOUSING FEMALE SUB ASSEMBLY									
LET	DATE	REVISION RECORD	NO.	CHKD	VENDOR				VENDOR NO.												
GENERAL TOLERANCE					DWG TYPE				DWG SOURCE			DWG DATE		UNIT		SCL		ANGLE		PART NO.	
	10MAX	50MAX	100MAX	250MAX	2500V	ANGLE	ECCENT	R	NEW	91.10.02	mm	2/1	3	7283-1114 ETC.							
A	±0.15	±0.2	±0.3	±0.5	±0.75	±30'	0.1	APPROVED	CHECKED	CHECKED	DESIGN	DRAWN	7283-1114: R		SET DWG NO.						
B	±0.2	±0.3	±0.55	±0.95	±1.4	±30'	0.1	手塚	福永	山田	TAKEUCHI	YAMAMOTO									
◎	±0.3	±0.5	±0.8	±1.4	±2	±30'	0.15														
SPECIFIED					MASS				97.05.07			97.05.06		97.05.06		90.10.16		97.04.22		YAZAKI CORPORATION	

1

2

3

