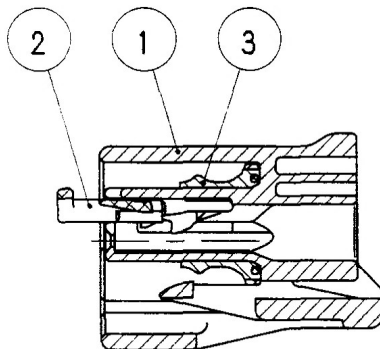
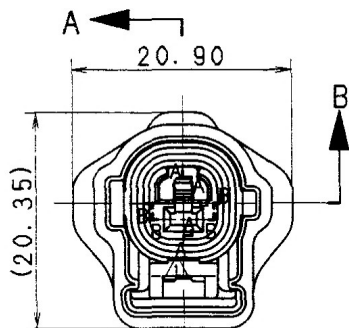


TABLE 1

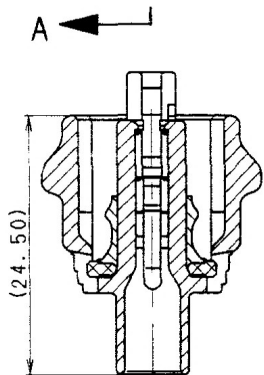
SUB ASSEMBLY PART NO. AND CH. CODE	NO.	PART NO. AND CH. CODE	MATERIAL	COLOR	QTY.
7283-1019 ETC.	①	SEE TABLE 2	PBT	NATURAL	1
	②	7157-4355	PBT	NATURAL	1
	③	△7137-2606-60	△ SILICONE RUBBER	△ LIGHT GREEN	1

△ TABLE 2

SUB ASSEMBLY PART NO. AND CH. CODE	PART NO. AND CH. CODE	COLOR
7283-1019, □	7183-1019	NATURAL
7283-1019-10, □	7183-1019-10	DARK GRAY
7283-1019-30, □	7183-1019-30	BLACK
7283-1019-40, □	7183-1019-40	LIGHT GRAY
7283-1019-60, □	7183-1019-60	GREEN
7283-1019-80, □	7183-1019-80	BROWN
7283-1019-90, □	7183-1019-90	BLUE



SEC. A-A



SEC. B-B

NOTE

1. APPLICABLE TERMINAL NO. : 7116-4025 ETC.

註 記

1. 適用端子品番 : 7116-4025 ETC.

ISSUE MARK

△ 98.10.01	ELIMINATED COLOR NO. CHANGED COLOR NO. MATERIAL & FORM. □	C98-M660	S. S	CUSTOMER	CUSTOMER PART NO.	CUSTOMER DWG NO.	MATL. SPEC. SEE TABLE 1	TREAT. & FIN.							
91.03.04	NEW	C91-L173	K. I	OFFICE	TRIAL PART NO.		NAME 090Ⅱ 1P SEALED CONNECTOR HOUSING FEMALE SUB ASSEMBLY								
LET DATE	REVISION RECORD NO.	NO.	CHKD	VENDOR			PART NO. CH. CODE 7283-1019 ETC.								
GENERAL TOLERANCE				VENDOR NO.				DWG NO. 7283-1019:R SET DWG NO.							
	10MAX	50MAX	100MAX	250MAX	250OVR	ANGLE	ECCENT	DWG TYPE	DWG SOURCE	DWG DATE	UNIT	SCL	ANGLE	PART NO. CH. CODE 7283-1019 ETC.	
A	±0.15	±0.2	±0.3	±0.5	±0.75	±30'	0.1	R	NEW	91.03.04	mm	2/1	3	DWG NO. 7283-1019:R SET DWG NO.	
B	±0.2	±0.3	±0.55	±0.95	±1.4	±30'	0.1	APPROVED	CHECKED	CHECKED	DESIGN	DRAWN		DWG NO. 7283-1019:R SET DWG NO.	
(C)	±0.3	±0.5	±0.8	±1.4	±2	±30'	0.15	加 藤 山梨 補 鈴 苧 TAKEUCHI K. NAGANO		98.10.01		98.10.01			
SPECIFIED				MASS	98.10.07		98.10.06	98.10.01	90.04.03	98.10.01		YAZAKI CORPORATION			