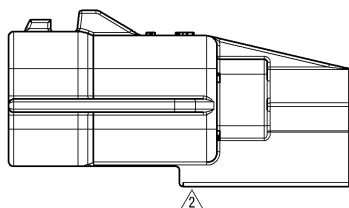
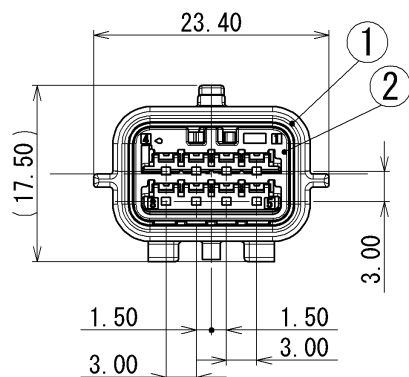
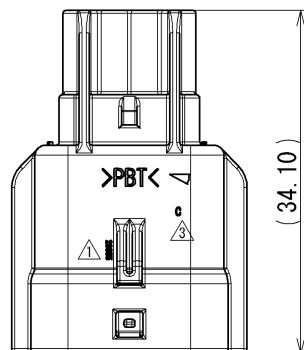


1

2

3

SUB ASSEMBLY PART NO. AND CH. CODE	NO.	PART NO. AND CH. CODE	MATERIAL	COLOR	QTY.
7282-8855-30, C, ③	①	7182-8855-30	PBT	BLACK	1
	②	③ 7158-5885	PBT	③ NATURAL	1



NOTES

- MATING PART NO. : 7283-8855-30
- APPLICABLE TERMINAL NO. : 7114-4415-02 ETC.
- APPLICABLE SEAL RUBBER NO. : 7158-3165-90, 7158-3166-60, 7158-3167-80
7158-3168-80
- APPLICABLE UNUSED CAVITY PLUG: 7158-3169-40

注記

- かん合相手品番 : 7283-8855-30
- 適用端子品番 : 7114-4415-02 ETC.
- 適用コネクタ品番 : 7158-3165-90, 7158-3166-60, 7158-3167-80
7158-3168-80
- 適用防水栓品番 : 7158-3169-40

△	10/11/15	CHANGED PART NAME	C10-ZA94	R. E						ISSUE MARK					
△	03/08/07	CHANGED CODE, C	C03-X324	T. Y	CUSTOMER					MATL. SPEC.	SEE TABLE	TREAT. & FIN.			
△	02/12/06	CHANGED FORM ETC., B	C02-Y496	T. Y	CUSTOMER PART NO.					CUSTOMER DWG NO.					
△	02/01/22	CHANGED FORM ETC.	C02-X160	T. Y	OFFICE					TRIAL PART NO.					
	01/11/08	NEW	C01-Y135	T. Y	VENDOR										
LET	DATE	REVISION RECORD	NO.	CHKD	VENDOR NO.										
GENERAL TOLERANCE										NAME △ RH TYPE HOUSING 8P					
										SUB ASSEMBLY MALE					
	10MAX	50MAX	100MAX	250MAX	2500VR	ANGLE	ECCENT	DWG TYPE	DWG SOURCE	DWG DATE	UNIT	SCL	ANGLE	PART NO. CH. CODE	7282-8855-30, C, ③
A	±0.15	±0.2	±0.3	±0.5	±0.75	±30°	O.1	R	NEW	01/11/08	mm	2:1	3	DWG NO.	7282-8855-30:R
B	±0.2	±0.3	±0.55	±0.95	±1.4	±30°	O.1	APPROVED	CHECKED	CHECKED	DESIGN	DRAWN		SET DRW NO.	
C	±0.3	±0.5	±0.8	±1.4	±2	±30°	O.15	S. MIZUSE		R. CABANGAL	M. KASHIYAMA	R. ESPITAL			
SPECIFIED				MASS	g	10/11/15		10/11/15		01/05/08		10/11/15		YAZAKI CORPORATION	

1

2

3