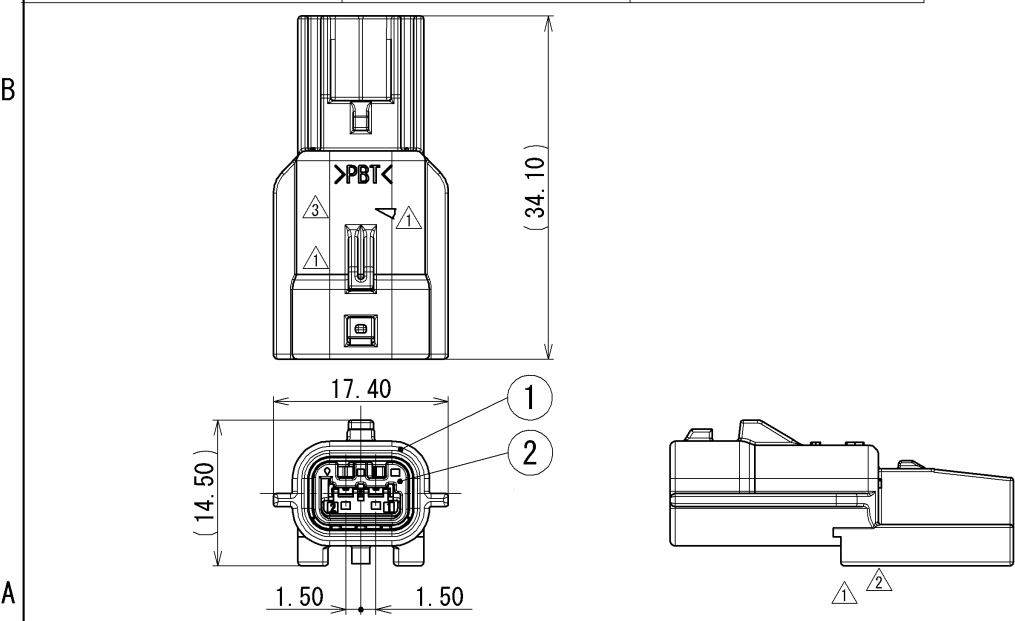


TABLE 1

SUB ASSEMBLY PART NO. AND CH. CODE		NO.	PART NO. AND CH. CODE	△ PART NAME	MATERIAL	COLOR	QTY.
△ 7282-8851-30 ETC.		①	SEE TABLE 2	HOUSING	PBT	SEE TABLE 2	1
		②	△ 7158-5261	FRONT HOLDER		NATURAL	1

△ TABLE 2		SUB ASSEMBLY PART NO. AND CH. CODE	PART NO. AND CH. CODE	COLOR	MATING PART NO.
		7282-8851-30, [C]	7182-8851-30	BLACK	7283-8851-30
△ 5		7282-9392-40	7182-9392-40	LIGHT GRAY	7283-9392-40
△ 5		7282-9393-10	7182-9393-10	DARK GRAY	7283-9393-10
△ 4		7282-0528-80	7182-0528-80	BROWN	7283-0528-80



注記

- 適用端子品番 : 7114-4415-02 ETC.
- 適用ゴム栓品番 : 7158-3165-90, 7158-3166-60, 7158-3182-20
7158-3167-80, 7158-3168-80
- 適用防水栓品番 : 7158-3169-40

NOTES

- APPLICABLE TERMINAL PART NO. : 7114-4415-02 ETC.
- APPLICABLE RUBBER SEAL PART NO. : 7158-3165-90, 7158-3166-60, 7158-3182-20
7158-3167-80, 7158-3168-80
- APPLICABLE UNUSED CAVITY PLUG PART NO. : 7158-3169-40

△ 5 7282-8851-30 (CODE A)

△	DATE	REVISION RECORD	NO.	CHKD
△ 7	10/11/15	CHANGED PART NAME	C10-ZA94	R. E
△ 6	07/05/16	CORRECTION OF CLERICAL ERROR	C07-Z439	A. P
△ 5	06/10/12	ADDED PART NO., ETC.	C06-ZB09	M. A
△ 4	05/09/08	ADDED PART NO., ETC.	C05-ZC43	T. M
△ 3	03/08/07	CHANGED CODE, [C]	C03-X324	T. Y
△ 2	02/12/04	CHANGED FORM, [B]	C02-Y492	T. Y
△ 1	02/02/06	ELIMINATE SECTION, ETC.	C02-X199	T. Y
	01/11/08	NEW	C01-Y135	T. Y

GENERAL TOLERANCE						
	10MAX	50MAX	100MAX	250MAX	2500VR	ANGLE
A	±0.15	±0.2	±0.3	±0.5	±0.75	±30°
B	±0.2	±0.3	±0.55	±0.95	±1.4	±30°
[C]	±0.3	±0.5	±0.8	±1.4	±2	±30°

CUSTOMER		CUSTOMER DWG NO.	
CUSTOMER PART NO.		TRIAL PART NO.	
OFFICE		VENDOR NO.	
VENDOR		DVG TYPE	
		DVG SOURCE	
		DVG DATE	
		UNIT	
		SCL	
		ANGLE	
APPROVED		CHECKED	
DESIGN		DRAWN	
S. MIZUSE		R. CABANGAL	
10/11/15		10/11/15	

MATL. SPEC.	SEE TABLE 1	TREAT. & FIN.
NAME	△ RH TYPE HOUSING 2P	
	SUB ASSEMBLY MALE	
PART NO. CH. CODE	△ 7282-8851-30 ETC.	
DWG NO.	7282-8851-30:R	SET DWG NO.
YAZAKI CORPORATION		

