

SUB ASS'Y PART NO.	NO.	PART NO.	PART NAME	MATERIAL (COLOR)	△ QTY.
7282-8180	①	7182-8180	A10+NS08 CONNECTOR HOUSING (M)	PBT(NATURAL)	1
	②	△ 7157-4650	A10+NS08 CONNECTOR REAR HOLDER (M)	△ PBT(NATURAL)	1

注記

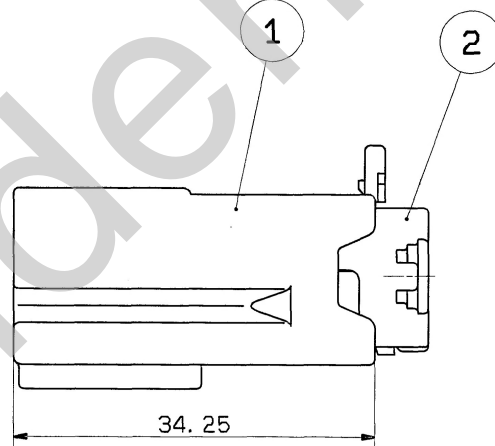
1. 嵌合相手品番: 7283-8180.

- △ 2. 適用端子品番: A TYPE...7114-1670-02, 7114-1670-08,
: 7114-1800-02.
: NS TYPE...7114-1535-02, 7114-1536-02.

NOTES

1. MATING PART NO. : 7283-8180.

- △ 2. APPLICABLE TERMINAL NO. : A TYPE...7114-1670-02, 7114-1670-08,
: 7114-1800-02.
: NS TYPE...7114-1535-02, 7114-1536-02.



ISSUE MARK

△ 94.11.18	CH. REAR HOLDER COLOR	C94-M537	O. S	CUSTOMER		MATL. SPEC.	SEE TABLE	TREAT. & FIN.							
△ 92.12.03	CHANGED FORM	C92-7281	R. F	CUSTOMER PART NO.	CUSTOMER DWG NO.	NAME									
- 92.09.01	NEW	C92-6838	R. F	OFFICE	TRIAL PART NO.	A10+NS08 CONNECTOR									
LET	DATE	REVISION RECORD	NO.	CHKD	VENDOR	SUB ASS'Y (M)									
GENERAL TOLERANCE				VENDOR NO.											
	10MAX	50MAX	100MAX	250MAX	2500VR	ANGLE	ECCENT	DWG TYPE	DWG SOURCE	DWG DATE	UNIT	SCL	ANGLE	PART NO.	
A	±0.15	±0.2	±0.3	±0.5	±0.75	±30'	0.1	R	NEW	92.09.01	mm	2/1	3	7282-8180	
B	±0.2	±0.3	±0.55	±0.95	±1.4	±30'	0.1	APPROVED	CHECKED	CHECKED	DESIGN	DRAWN		DWG NO.	
©	±0.3	±0.5	±0.8	±1.4	±2	±30'	0.15				SUGIYAMA	ITO H		7282-8180:R	
SPECIFIED				MASS	g	11 木		99.11.25		92.11.24		92.09.01		94.11.18	
														YAZAKI CORPORATION	