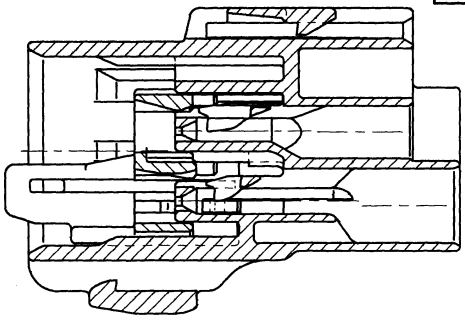
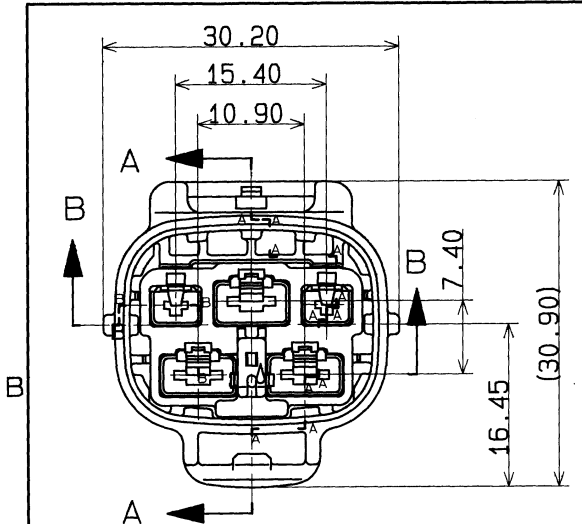


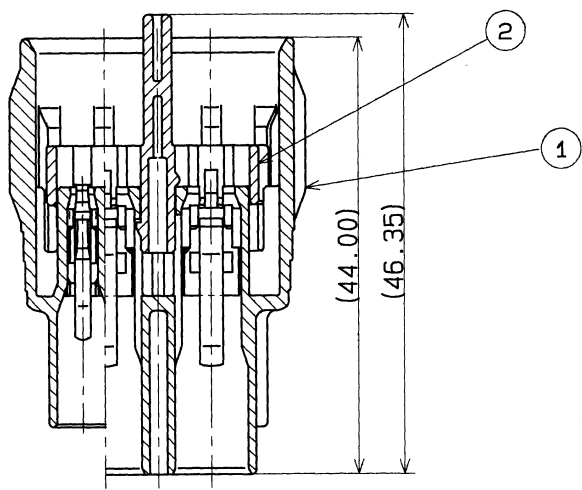
1

2

3



SEC. A-A



SEC. B-B

SUB ASS'Y NO.	NO.	YAZAKI PART NO.	MATERIAL	COLOR	QTY.
7282-7350 ETC.	①	SEE HOUSING NO. TABLE	PBT	SEE COLOR TABLE	1
	②	7157-4515	PBT	NATURAL	1

SUB ASS'Y NO.	PART NO.	COLOR
7282-7350	7182-7350	NATURAL
7282-7350-10	7182-7350-10	DARK GRAY
7282-7350-30	7182-7350-30	BLACK
7282-7350-40	7182-7350-40	LIGHT GRAY
7282-7350-50	7182-7350-50	ORANGE
7282-7350-60	7182-7350-60	GREEN
7282-7350-80	7182-7350-80	BROWN
7282-7350-90	7182-7350-90	BLUE

NOTES

1. APPLICABLE TERMINAL NO.: 090II 7114-4025 ETC.  
 187 7114-4035 ETC.

注記

1. 適用端子品番: 090II 7114-4025 ETC.  
 187 7114-4035 ETC.

ISSUE MARK

										CUSTOMER			MATL. SPEC. SEE TABLE		TREAT. & FIN.	
										CUSTOMER PART NO.			CUSTOMER DWG NO.			
										OFFICE			TRIAL PART NO.			
										VENDOR			VENDOR NO.			
										NAME			187, 3P+090II 2P SEALED			
										CONNECTOR HOUSING MALE SUB ASS'Y						
										PART NO.			7282-7350 ETC.			
										DWG NO.			7282-7350: R			
										YAZAKI CORPORATION						

92.12.18	NEW	C92-M150	C.M
LET	DATE	REVISION RECORD	NO.
GENERAL TOLERANCE			
	10MAX	50MAX	100MAX
	±0.15	±0.2	±0.3
	±0.2	±0.3	±0.55
	±0.3	±0.5	±0.95
	±0.3	±0.8	±1.4
	250MAX	2500VR	ANGLE
	±0.5	±0.75	±30'
	±0.95	±1.4	±30'
	±1.4	±2	±30'
	±2	±30'	0.15
SPECIFIED			
MASS			
9			

APPROVED		CHECKED		CHECKED		DESIGN		DRAWN	
[Signature]		[Signature]		[Signature]		TAKEUCHI		ISHIZUKA	
92.12.23		92.12.22		91.03.25		92.12.18			

1

2

3

