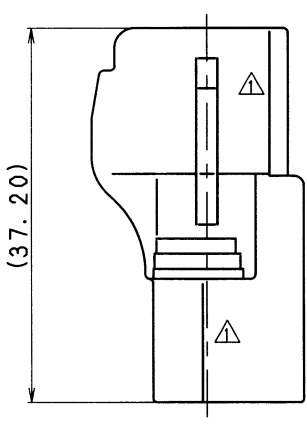
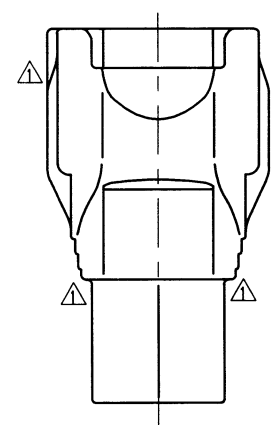
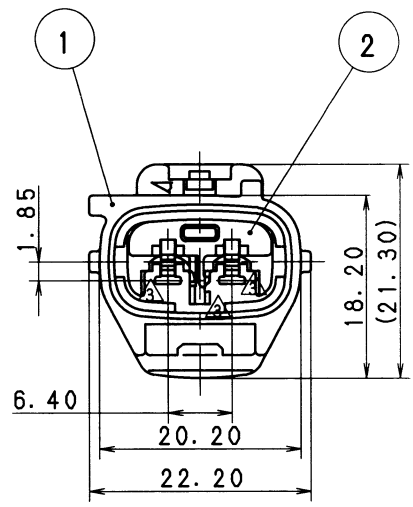


TABLE 1

YAZAKI SUB ASSEMBLY PART NO.	NO.	YAZAKI PART NO.	MATL. & SPEC.	COLOR	△ QTY.
7282-7023-10 ETC.	①	SEE TABLE 2	PBT	SEE TABLE 2	1
	②	7157-4102	PBT	NATURAL	1

TABLE 2

YAZAKI SUB ASSEMBLY PART NO.	YAZAKI PART NO.	COLOR
△ 7282-7023 . 3	7182-7023	NATURAL
△ 7282-7023-10.	7182-7023-10	DARK GRAY
△ 7282-7023-30.	7182-7023-30	BLACK
△ 7282-7023-40.	7182-7023-40	LIGHT GRAY
△ 7282-7023-50.	7182-7023-50	ORANGE
△ 7282-7023-60.	7182-7023-60	GREEN
△ 7282-7023-80.	7182-7023-80	BROWN
△ 7282-7023-90.	7182-7023-90	BLUE



NOTES

- 1) APPLICABLE TERMINAL NO. : 7114-4025 ETC.
- 2) MATING PART NO. : 7283-7023-10 ETC.
- △ 3) APPLICABLE RUBBER STOPPER NO. : 7158-3006-90 ETC.

注記

- 1) 通用端子品番 : 7114-4025 ETC.
- 2) 嵌合相手品番 : 7283-7023-10 ETC.
- △ 3) 通用ゴム栓品番 : 7158-3006-90 ETC.

△ 97.06.06	CHANGED FORM & ADDED PART NO. △	C97-L957	M. T	CUSTOMER				MATL. SPEC. SEE TABLE 1				TREAT. & FIN.						
△ 89.10.04	ADDED PART NO.	C89-M068	M. H	CUSTOMER PART NO.				CUSTOMER DWG NO.				NAME 090II 2P SEALED CONNECTOR						
△ 89.08.19	CHANGED FORM & RENEW	C89-L862	M. T	OFFICE				TRIAL PART NO.				HOUSING MALE SUB ASSEMBLY						
89.02.22	NEW	C89-L380	T. M	VENDOR				VENDOR NO.				PART NO. △ 7282-7023-10 ETC.						
LET	DATE	REVISION RECORD NO.	CHKD	GENERAL TOLERANCE				DWG TYPE				CH. CODE						
				10MAX	50MAX	100MAX	250MAX	2500VR	ANGLE	ECCENT	DWG TYPE	DWG SOURCE	DWG DATE	UNIT	SCL	ANGLE	DWG NO.	SET DWG NO.
A	±0.15	±0.2	±0.3	±0.5	±0.75	±30'	0.1	R	NEW	89.02.22	mm	2/1	3	7282-7023-10 : R				
B	±0.2	±0.3	±0.55	±0.95	±1.4	±30'	0.1	APPROVED	CHECKED	CHECKED	DESIGN	DRAWN	7282-7023-10 : R					
◎	±0.3	±0.5	±0.8	±1.4	±2	±30'	0.15	加藤	山梨	福岡	M. TSUJI	NAGUMO	YAZAKI CORPORATION					
SPECIFIED					MASS			g	97.06.17	97.06.16	97.06.06	88.07.27	97.06.06					