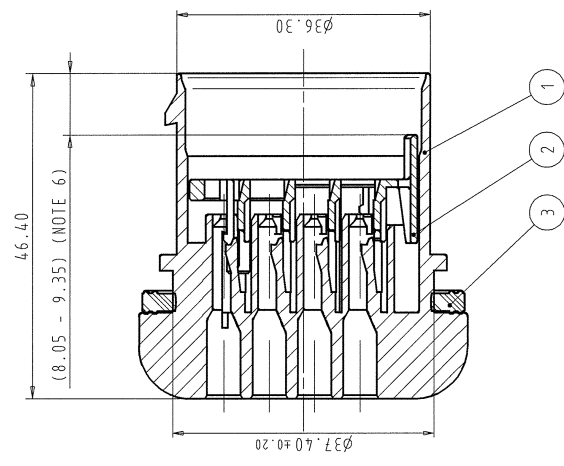
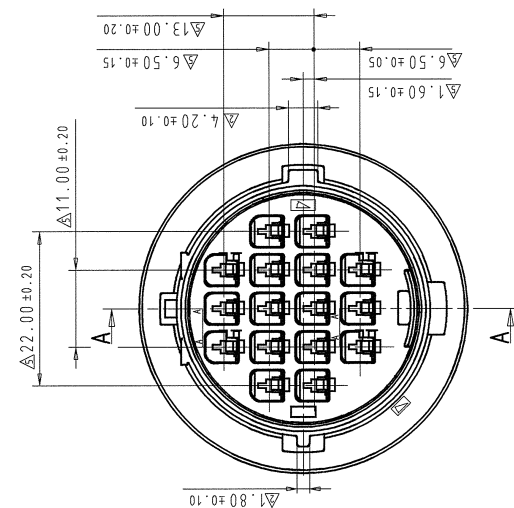


TABLE 1

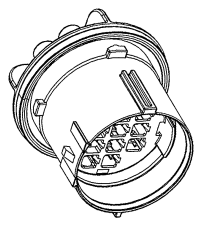
SUB ASSEMBLY PART NO. AND CH. CODE	PART NO. AND CH. CODE	MATERIAL	COLOR	QTY.
7282-3445-30	① 7182-3445-30	PBT-GF15	BLACK	1
	② 7158-6234-40	PBT-GF15	LIGHT GRAY	1
	③ 7137-1296-50	SILICONE RUBBER	RED	1

TABLE 2

APPLICABLE TERMINALS	WIRE RANGE (mm ²)	INSULATION RANGE DIA(mm)	TERMINAL PART NO.	SINGLE WIRE SEAL PART NO.
1.5 (M) TERMINAL (SEALED)	0.3-0.5	1.2-1.7	7114-4102-02	7158-3030-50
TIN PLATED	0.75-1.0	1.6-2.34	7114-4103-02	7158-3031-90
1.5 (M) TERMINAL (SEALED)	0.3-0.5	1.2-1.7	7114-4102-08	7158-3030-50
GOLD PLATED	0.75-1.0	1.6-2.34	7114-4103-08	7158-3031-90



ISOMETRIC VIEW (SCALE 1:1)



NOTES:

- MATERIAL: SEE TABLE 1;
- COLOR: SEE TABLE 1;
- APPLICABLE TERMINALS: SEE TABLE 2;
- APPLICABLE SEALS: SEE TABLE 2;
- THIS DIMENSION SHOWS THE PRESET POSITION OF FRONT HOLDER ON THE SUBASSEMBLY;
- MATING PART: 7283-3445-30;
- FOR GENERAL GEOMETRICAL TOLERANCE SEE TABLE (ECCENTRICITY);
- THE MATERIALS USED IN THIS PRODUCT ARE IN CONFORMITY WITH REQUIREMENTS OF EU ELV 2000/53/EC DIRECTIVE AND ASSOCIATED DOCUMENTS AND "CONTROL STANDARD FOR CHEMICAL SUBSTANCE (YGS-C21-010)".

SECTION A-A

LET	DATE	REVISION RECORD	NO.	CHKD
Δ	07/11/06	ADDED DIM. & CHANGED NOTES	C07-0851	J.J.
Δ	07/04/27	CHANGED FH COLOR IN TABLE 1	C07-0635	J.J.
Δ	07/03/13	CHANGED FH COLOR	C07-0588	J.J.
Δ	06/08/23	CHANGED BUILDING RTBS	C06-0729	J.J.
Δ	04/12/09	CHANGED TABLE	C04-0713	J.J.
Δ	04/01/22	NEW	C04-0524	J.J.

GENERAL TOLERANCE			
	10MAX	50MAX	100MAX
ANGLE	±0.3	±0.5	±0.75
ECCENT	±0.1	±0.1	±0.1
NEW	0.4/0.7/23	7272	2/1
APPROVED	Checked	Checked	Design
APPROVED BY	S. KUNITA	J. TAK	S. KINOSWELL
DESIGNED BY	Shinichi	Shinichi	B. FRETZE
DATE	07/11/2006	02/07/01	07/11/06
MASS	26.8g		

CUSTOMER PART NO.	CUSTOMER DWG NO.	MATL. SPEC.	SEE TABLE	TREAT. & FIN.	ISSUE MARK
OFFICE	TRIAL PART NO.	NAME	1.5 SYSTEM WP CONNECTOR		
VENDOR	X40222-0002		16P (M) SUB ASSEMBLY		
		PART NO.	7282-3445-30		
		CH. CODE			
		DWG NO.	7282-3445-30;R		
		SET DWG NO.			
		YAZAKI CORPORATION			