

1

2

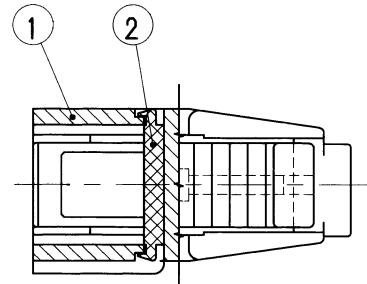
3

TABLE 1

YAZAKI SUB ASS'Y NO.	NO.	YAZAKI PART NO.	YAZAKI PART NAME	MATERIAL	COLOR	QTY.
7223-7826-30 ETC.	①	SEE TABLE 2	DMS CONNECTOR HOUSING 2P (F) CENTER RIB TYPE	PBT	SEE TABLE 2	1
	②	7137-2200	DMS CONNECTOR PACKING 2P	SILICONE RUBBER	RED IRON	1

TABLE 2

YAZAKI SUB ASS'Y NO.	YAZAKI HOUSING NO.	COLOR
7223-7826-30	7123-7826-30	BLACK
7223-7826-40	7123-7826-40	GRAY
7223-7826-80	7123-7826-80	BROWN



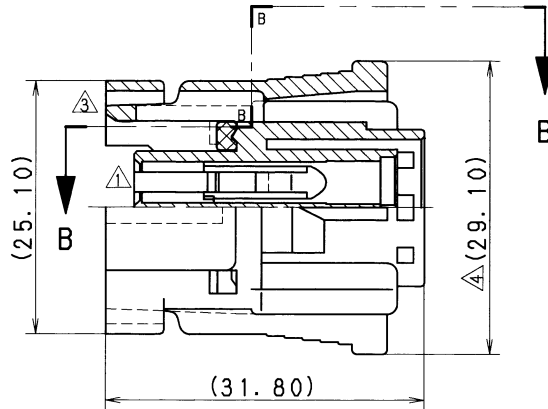
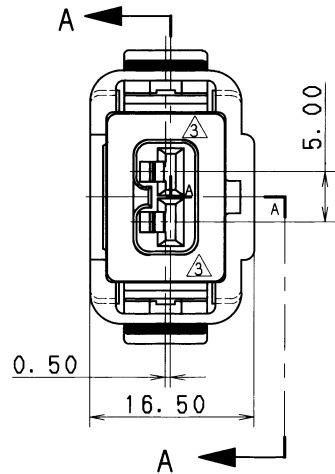
SEC. B-B

注記

- 1. 適用リヤホルダ品番 : 7157-7926-40
- 2. 適用ターミナル品番 : 7116-1520, 7116-1521
- 3. 適用ゴム栓品番 : 7157-7933, 7157-7935

NOTE

- 1. APPLICABLE REAR HOLDER NO. : 7157-7926-40
- 2. APPLICABLE TERMINAL NO. : 7116-1520
: 7116-1521
- 3. APPLICABLE SEAL RUBBER NO. : 7157-7933
: 7157-7935



SEC. A-A

DATE	REVISION RECORD	NO.	CHKD	VENDOR	VENDOR NO.	DWG TYPE	DWG SOURCE	DWG DATE	UNIT	SCL	ANGLE	PART NO.																																	
96.03.12	CORRECTION OF A CLERICAL ERROR	C96-6252	A. H			R	RENEW	92.07.29	mm	2/1	3	7223-7826-30 ETC.																																	
93.12.09	CHANGED FORM & RENEW	C93-L996	A. H	CUSTOMER								7223-7826-30 : R																																	
92.07.29	ADDED NOTE	C92-6720	A. H	CUSTOMER PART NO.	CUSTOMER DWG NO.																																								
92.02.07	CHANGED FORM & RENEW	C92-6177	T. K			APPROVED	CHECKED	CHECKED	DESIGN	DRAWN																																			
88.03.11	NEW	8MC-0304	T. I	OFFICE	TRIAL PART NO.				ISHII	半田																																			
LET	DATE	REVISION RECORD	NO.	CHKD	VENDOR							YAZAKI CORPORATION																																	
<p>GENERAL TOLERANCE</p> <table border="1"> <thead> <tr> <th></th> <th>10MAX</th> <th>50MAX</th> <th>100MAX</th> <th>250MAX</th> <th>250OVR</th> <th>ANGLE</th> <th>ECCENT</th> </tr> </thead> <tbody> <tr> <td>A</td> <td>±0.15</td> <td>±0.2</td> <td>±0.3</td> <td>±0.5</td> <td>±0.75</td> <td>±30'</td> <td>0.1</td> </tr> <tr> <td>B</td> <td>±0.2</td> <td>±0.3</td> <td>±0.55</td> <td>±0.95</td> <td>±1.4</td> <td>±30'</td> <td>0.1</td> </tr> <tr> <td>③</td> <td>±0.3</td> <td>±0.5</td> <td>±0.8</td> <td>±1.4</td> <td>±2</td> <td>±30'</td> <td>0.15</td> </tr> </tbody> </table>													10MAX	50MAX	100MAX	250MAX	250OVR	ANGLE	ECCENT	A	±0.15	±0.2	±0.3	±0.5	±0.75	±30'	0.1	B	±0.2	±0.3	±0.55	±0.95	±1.4	±30'	0.1	③	±0.3	±0.5	±0.8	±1.4	±2	±30'	0.15	<p>NAME DMS CONNECTOR HOUSING 2P FEMALE SUB ASS'Y (CENTER RIB)</p>	
	10MAX	50MAX	100MAX	250MAX	250OVR	ANGLE	ECCENT																																						
A	±0.15	±0.2	±0.3	±0.5	±0.75	±30'	0.1																																						
B	±0.2	±0.3	±0.55	±0.95	±1.4	±30'	0.1																																						
③	±0.3	±0.5	±0.8	±1.4	±2	±30'	0.15																																						
<p>SPECIFIED MASS</p>												<p>96.03.15 96.03.14 96.03.14 92.07.29 '96.03.14</p>																																	

ISSUE MARK

1

2

3